

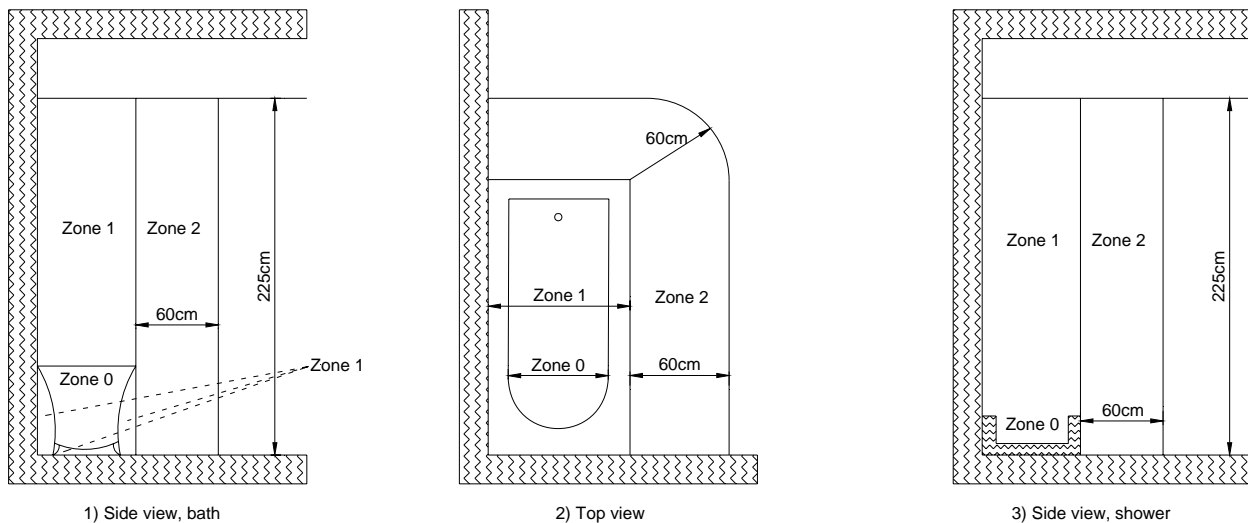
## IMPROV BETA ELECTRIC RADIATOR/TOWEL RAIL

### INSTALLATION INSTRUCTIONS

For use with electric supply only. This cannot be used as a dual source radiator connected to the central heating system.

#### Position:

This electric radiator/towel rail is intended to be installed in a bathroom or shower-room. It is IP54 rated and may be wall-mounted in the Zone 2 area (see Fig below), but the electrical connection box must be outside the Zone 2 area. Its position must be such that the thermostat control cannot be reached by a person in the bath or shower.



#### Fixing to the wall:

Follow the instructions on pages 3 and 4.

The fixings supplied are suitable for use in solid masonry. Use a 10mm bit for the wall plugs supplied. The wall must be strong enough to support the weight of the radiator. For any other wall types you will need to source appropriate fixings. If fitting to a plasterboard wall either utilise the noggins, or otherwise strengthen do not fix through plasterboard alone.

#### Electrical connection:

The radiator is supplied complete with its own mains cable. Do not use an extension cable. It is a 3-wire product which must be earthed. It should be connected to the household fixed wiring by a qualified electrician in accordance with the national Wiring Regulations (BS.7671). A switch for disconnection from the electricity supply, having a contact separation in all poles that provide full disconnection under overvoltage category III conditions, must be incorporated in the fixed wiring. A switched spur outlet incorporating a 3A fuse may be used, but this must be positioned outside the Zone 2 area (i.e. further away from the bath or shower). The national Wiring Regulations also require that each circuit supplying a bathroom must be protected by a 30mA RCD in its supply.

## **USER INSTRUCTIONS**

### **Safety warnings:**

- a) This appliance is not intended for use by persons (including children) with reduced physical, sensory or mental capabilities, or lack of experience and knowledge, unless they have been given supervision or instruction concerning use of the appliance by a person responsible for their safety
- b) Children should be supervised to ensure that they do not play with the appliance.
- c) As with conventional radiators, this electric radiator/towel rail will get hot to touch during operation. **If the radiator is left on setting three for a prolonged period of time the surface temperature can rise to 70°C ( +/- 5°C ).**
- d) Switch off the radiator at the supply when not in use.
- e) If the mains supply cable to the radiator becomes damaged it must be replaced by the manufacturer, its service agent or a similarly qualified person in order to avoid a hazard.

### **Operation:**

When the electricity supply is switched on the radiator temperature may be controlled using the integral thermostat. Adjust to suit desired temperature (turn knob clockwise to increase).

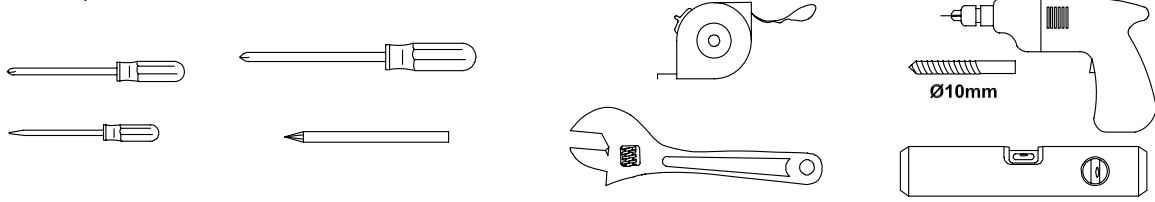
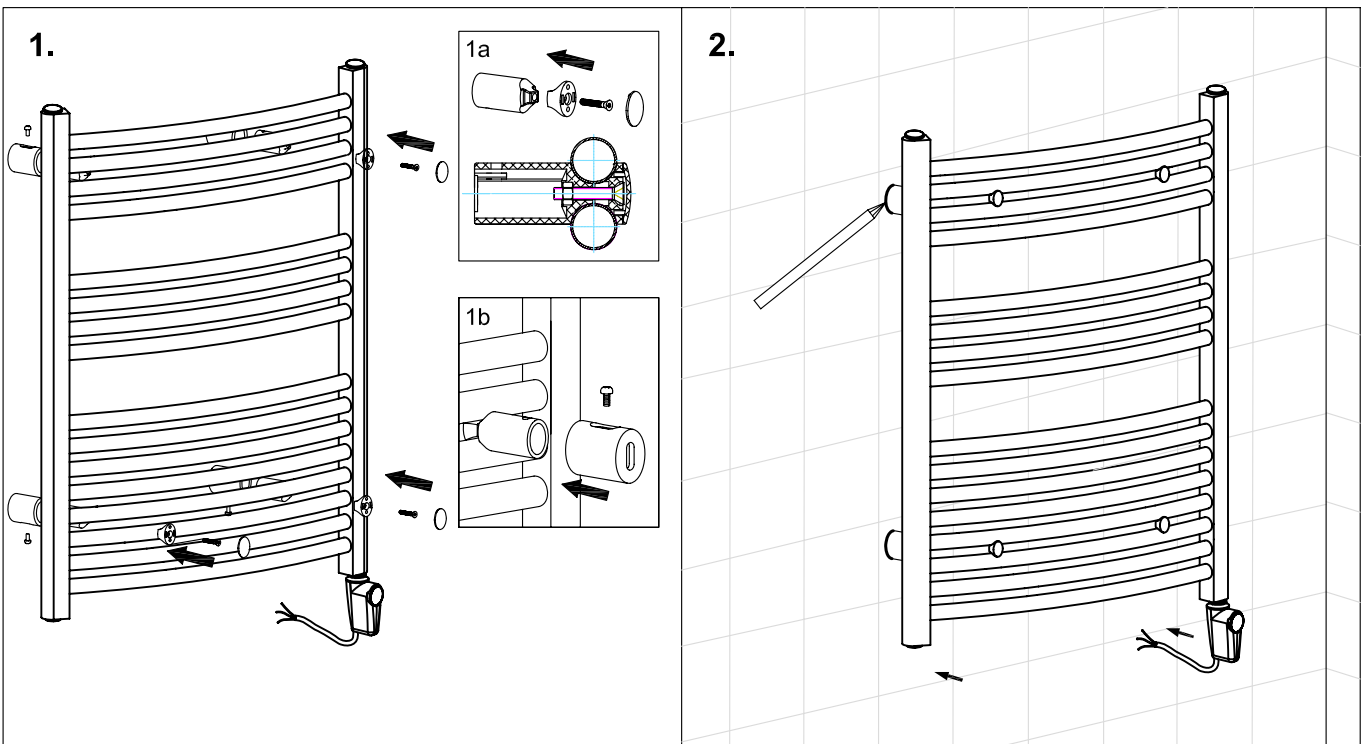
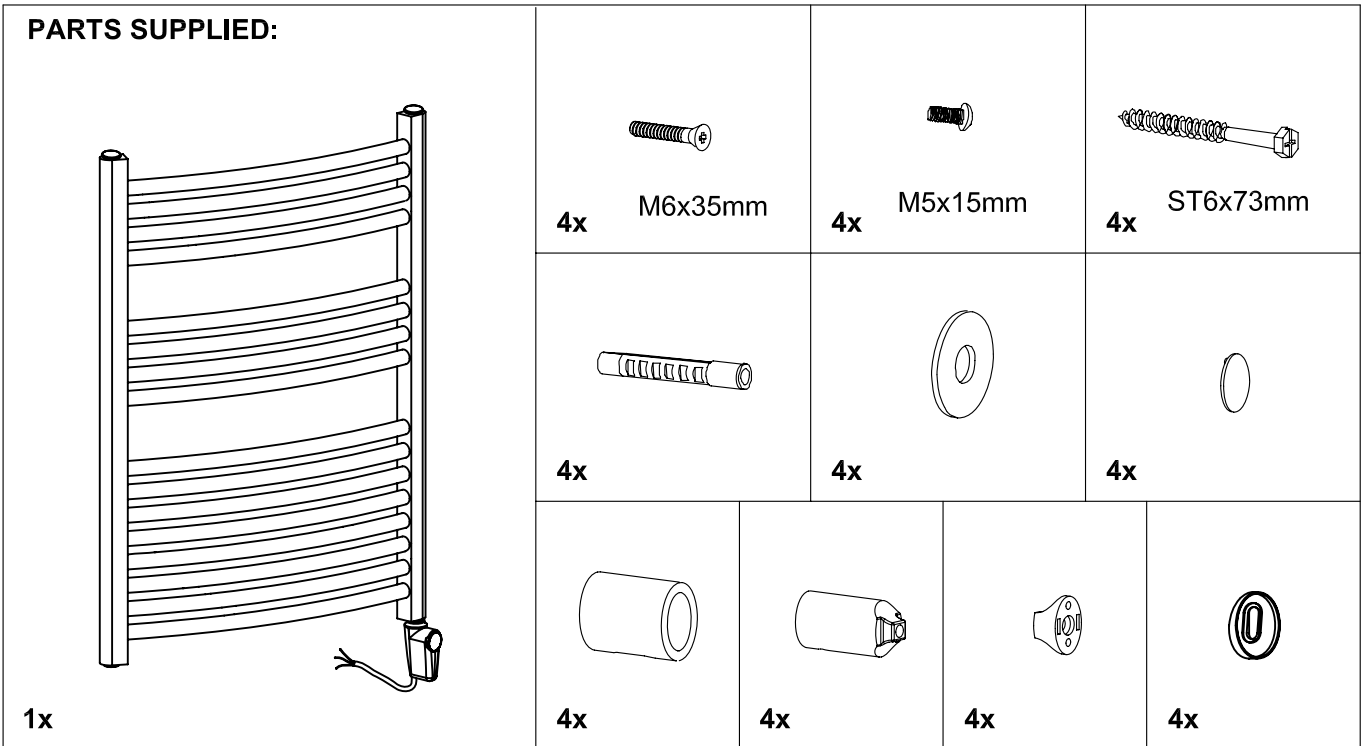
### **Cleaning:**

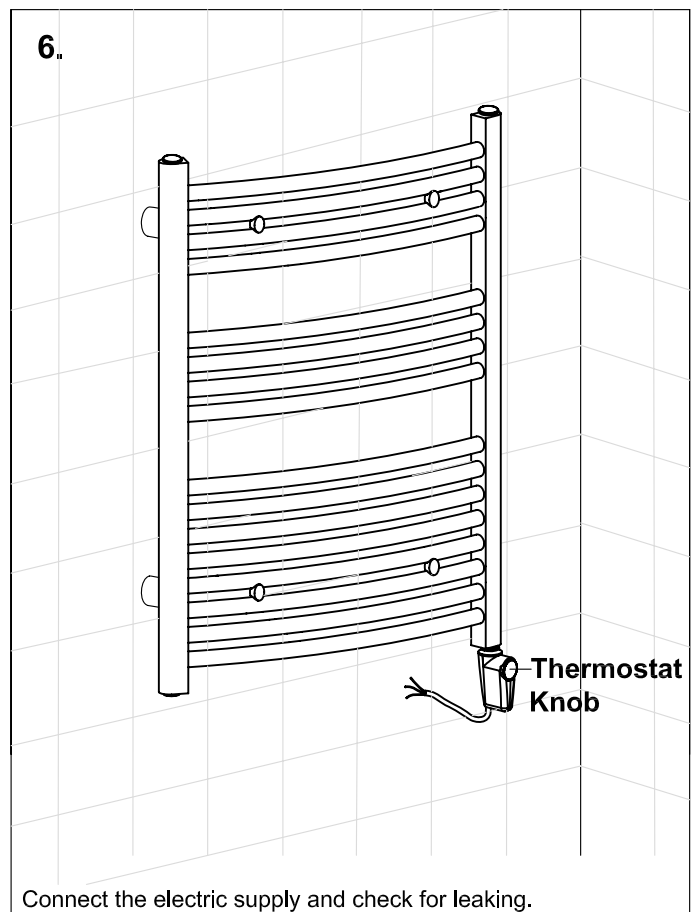
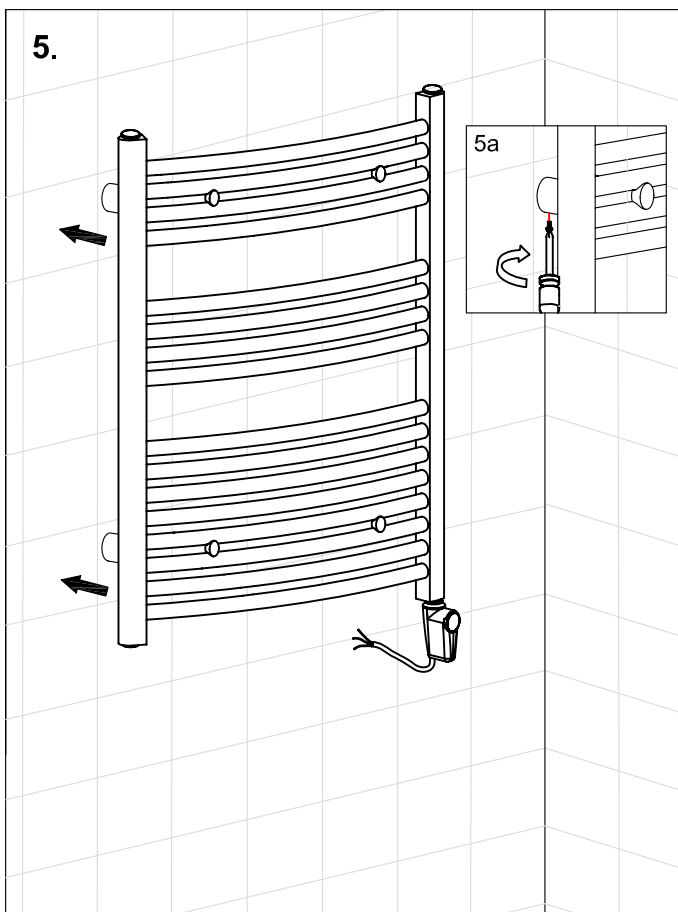
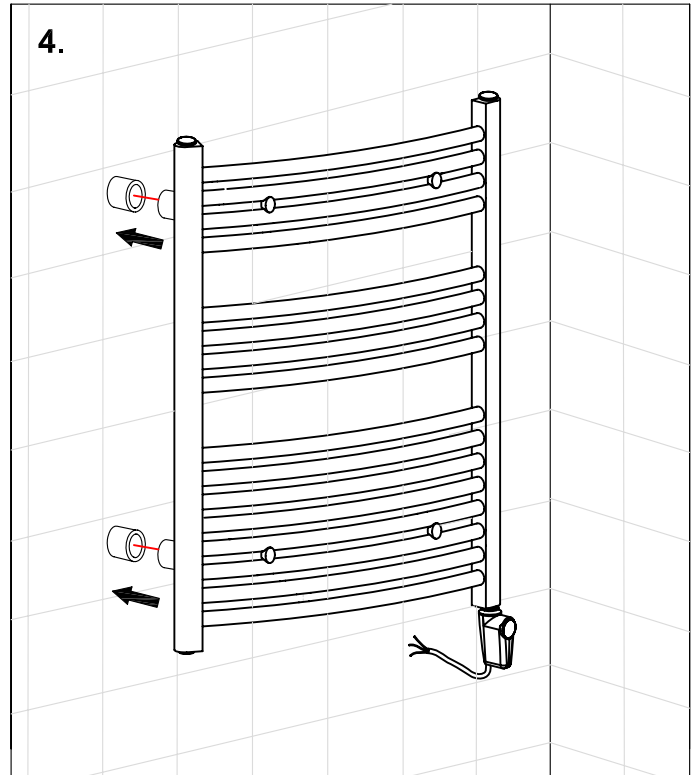
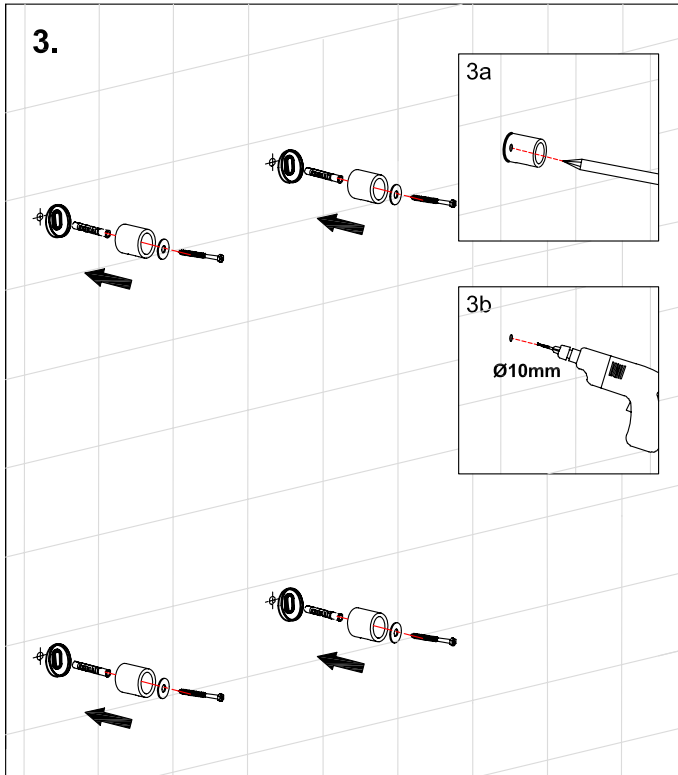
Clean the radiator only with a damp cloth. Abrasive or acidic cleaners may damage the surface finish.

# All Electric Improv Beta 700/1100 Radiator

## Assembly Instructions

 43100001140  
 43100001150

**TOOLS REQUIRED:**

**PARTS SUPPLIED:**




**Warning:**

The radiator is filled with a glucose based liquid to a specific level that does not need re-filling and should not be opened.  
The radiator is used normally under AC 230 voltage.