

TECHNICAL DATASHEET



Openwater Mono Bath Filler Deck Mounted Chrome

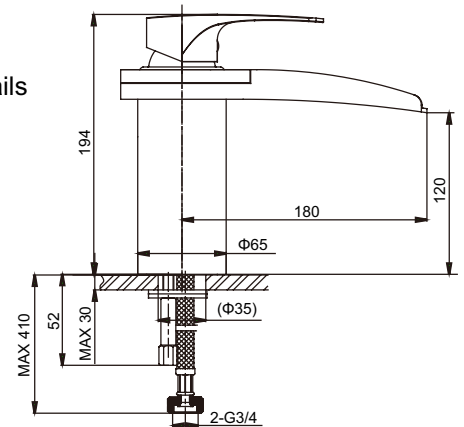
Product specification

Product Code:	20007014430
Finishes:	Chrome plated
Product Type:	Modern
Construction:	Bodies of the tap are solid brass castings, and the handles are Zinc Cast
Valve Type:	45mm single lever ceramic disc cartridge
Supply:	Suitable for all plumbing systems
Inlet Connections:	G3/4 female BSP loose nut, threaded flexible tails
Water Pressure:	Min 0.5 bar, Max 5 bar



Product specification

- Supplied with metal heads
- Chrome plated conform to EN817, EN200 (Salt spray test 10 grade)
- The flexible tails: G3/4 (length:410mm) with WRC approval



Technical Advice: For further information please call 0845 873 8843 or email techinfo@bathstore.com

Guarantee: 15 Years Manufactures guarantee, excluding ceramic disc cartridge and flexible tails which are only covered by the 12 month guarantee

Flow Rates(litres per minute)

System Pressure	0.5 bar	1 bar	2 bar	3 bar
20007014430	17	19.3	32	45

For any further information please contact Bathstore on: 0845 873 8843
Or visit our web-site at www.bathstore.com
The manufacturer reserves the right to make technical modifications without prior notice.