

TECHNICAL DATASHEET



Openwater Basin Mono Mixer With No Pop-up Waste Chrome

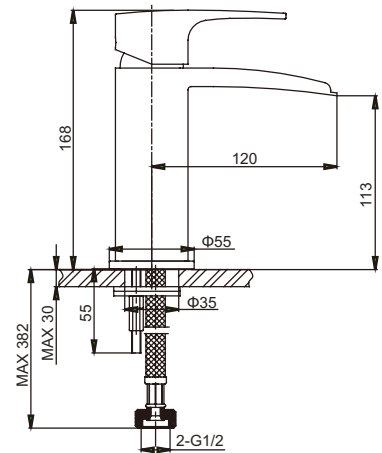
Product specification

Product Code:	20007014400
Finishes:	Chrome plated
Product Type:	Modern
Construction:	Bodies of the tap are solid brass castings, and the handles are Zinc Cast
Valve Type:	35mm single lever ceramic disc cartridge
Supply:	Suitable for all plumbing systems
Inlet Connections:	G1/2 female BSP loose nut, threaded flexible tails
Water Pressure:	Min 0.5 bar, Max 5 bar



Product specification

- Supplied with metal heads
- Chrome plated conform to EN817, EN200 (Salt spray test 10 grade)
- The flexible tails: G1/2 (length:382mm) with WRC approval



Technical Advice: For further information please call 0845 873 8843 or email techinfo@bathstore.com
Guarantee: 15 Years Manufactures guarantee, excluding ceramic disc cartridge and flexible tails which are only covered by the 12 month guarantee

Flow Rates (litres per minute)

System Pressure	0.5 bar	1 bar	2 bar	3 bar	4 bar	5 bar
20007014400	3.2	3.6	4	4.2	4.3	4.5

For any further information please contact Bathstore on: 0845 873 8843
Or visit our web-site at www.bathstore.com
The manufacturer reserves the right to make technical modifications without prior notice.