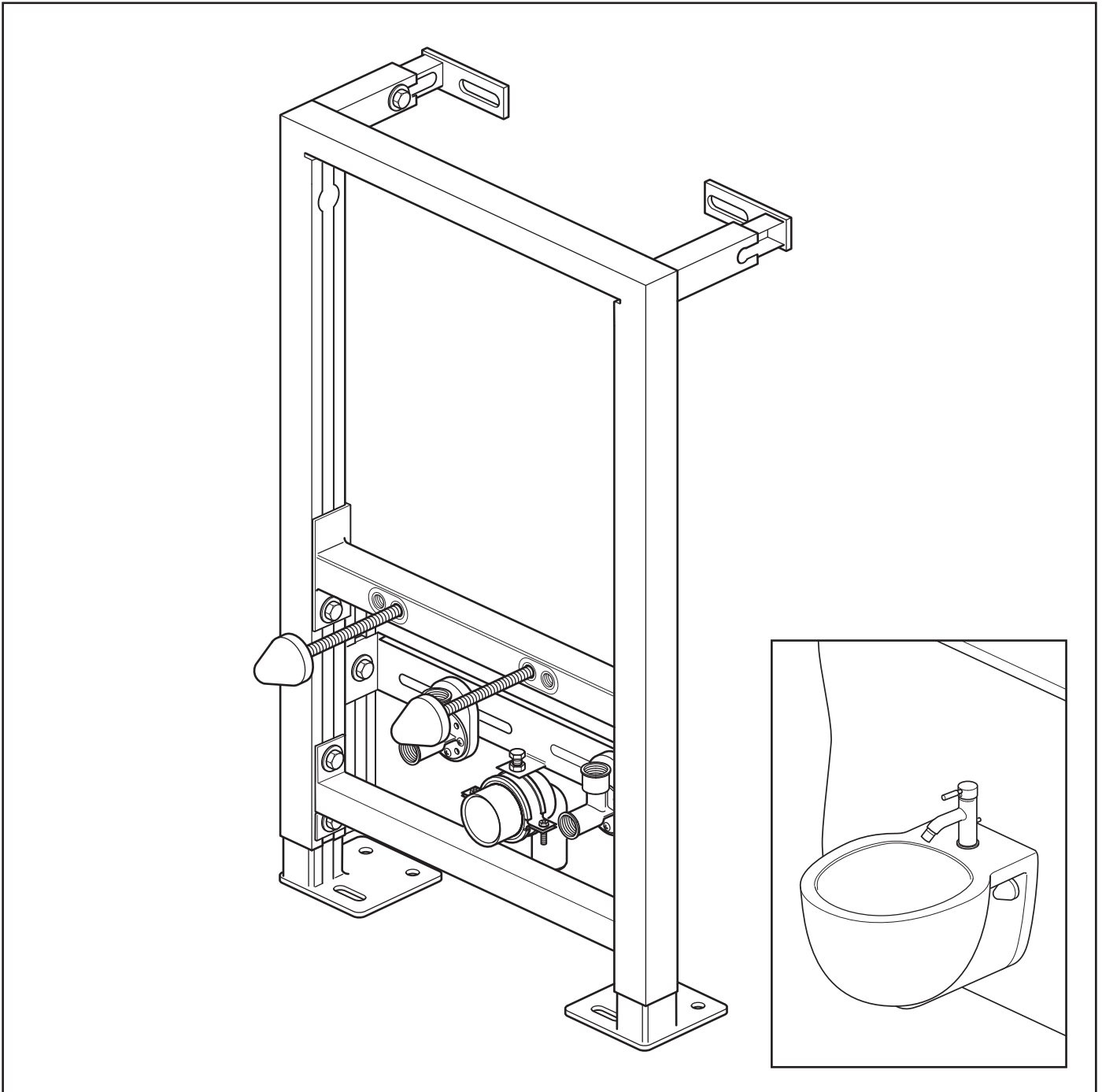


Planning Information & Installation Instructions

S Frame Bidet Support

Concealed support frame for wall hung bidets



www.bathstore.com

Copyright Bathstore 2009 ©. All rights reserved.

Bidet Support Frame

Please read these instructions carefully before commencing installation and keep in a safe place for future reference.

Plumbing

Any plumbing work should be carried out by a qualified professional plumber.

General Advice

Check the pack contents to ensure you have all the items required before starting.

Ensure you have any additional parts required (bidet, waste, mixer/taps etc).

You must ensure there is access to the connections behind any partition walls.

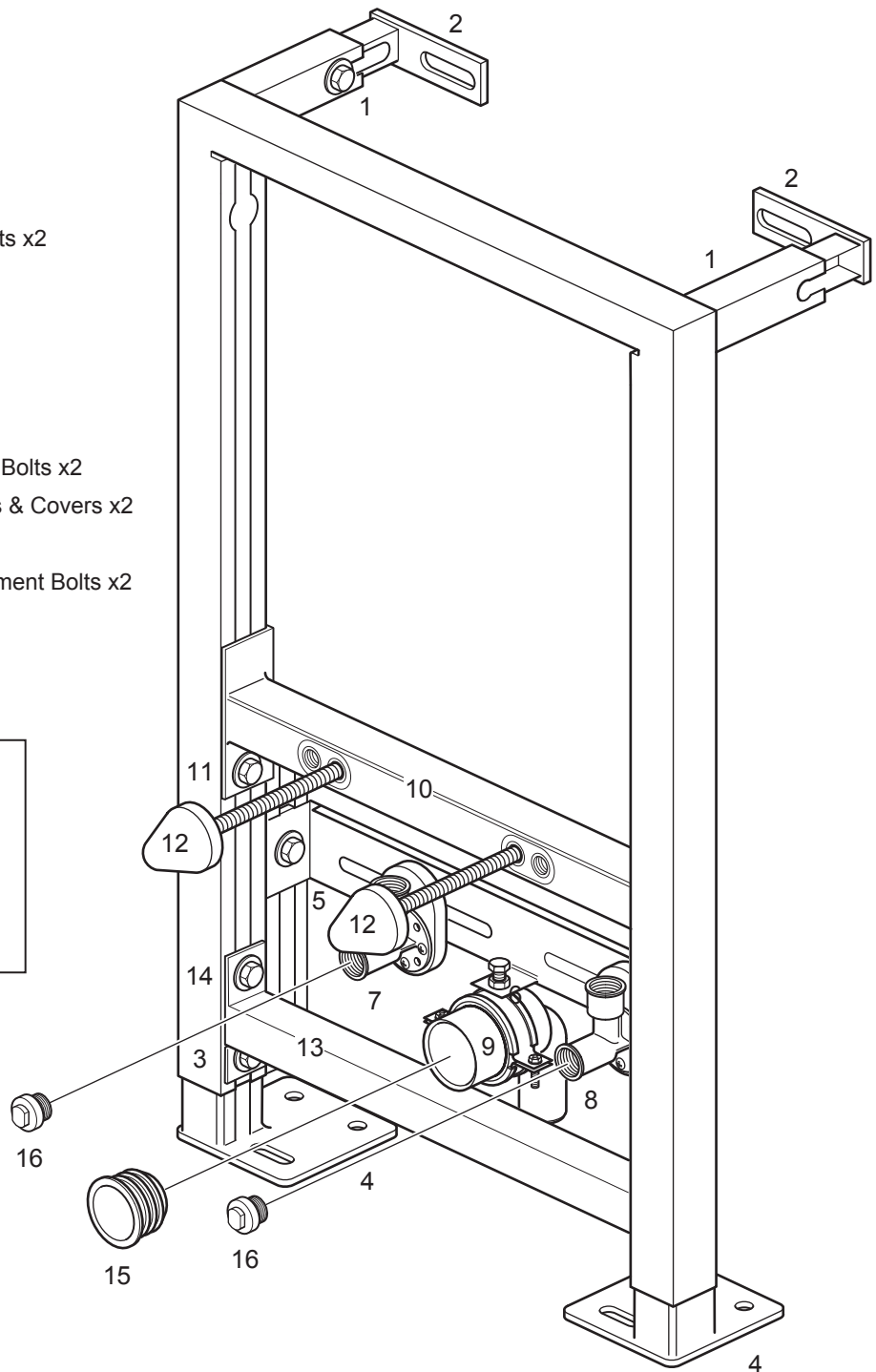
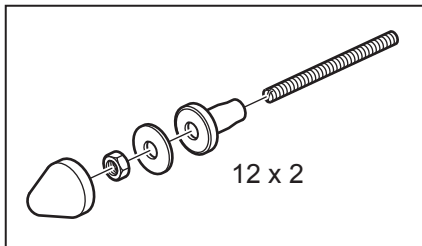
Safety Advice & Warnings

- If any of the components are damaged or missing, do not install and contact Bathstore immediately.
- The manufacturer shall have no responsibility for failures resulting from improper installation.
- Check for hidden pipe work and/or cables before drilling or cutting into walls, floors or ceilings.
- Use wall/floor fixings that are suitable for your wall/floor types and are strong enough for the purpose.
- Any plumbing work should be carried out by a qualified professional plumber.
- DO NOT attempt to lift heavy items by yourself - LIFT WITH CARE.
- Keep children and pets away from the installation area.
- Keep your working area clean and tidy.
- Wear safety glasses and gloves when installing.
- Always follow the safety instructions provided with tools.
- DO NOT carry sharp tools in your pocket.
- This product should not be discarded with normal household waste, but taken to your local collection centre for recycling.
- Please correctly dispose of packaging properly after installation, recycle where possible.

Contents

Bidet Support Frame Parts

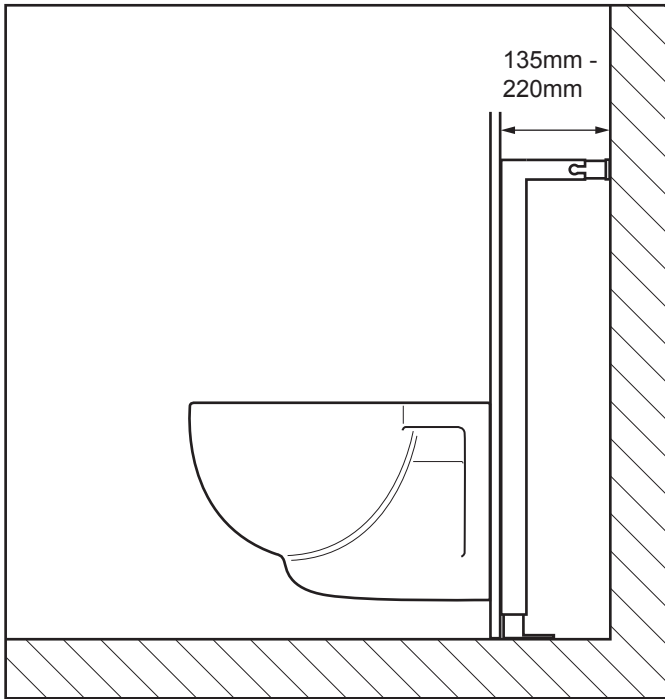
1. Wall Adjustment Bolts x2
2. Wall Brackets x2
3. Height Adjustment Bolts x2
4. Floor Brackets x2
5. Connection Height Adjustment Bolts x2
6. Connection Support Bar x1
7. Hot Water Inlet Elbow x1
8. Cold Water Inlet Elbow x1
9. Waste Outlet Elbow x1
10. Bidet Support Bar x1
11. Bidet Support Height Adjustment Bolts x2
12. Bidet Fixing Bolts, Nuts, Washers & Covers x2
13. Cross Bar Support x1
14. Cross Bar Support Height Adjustment Bolts x2
15. Waste Pipe Seal x1
16. Blanking Plugs x2



Items & Tools Required

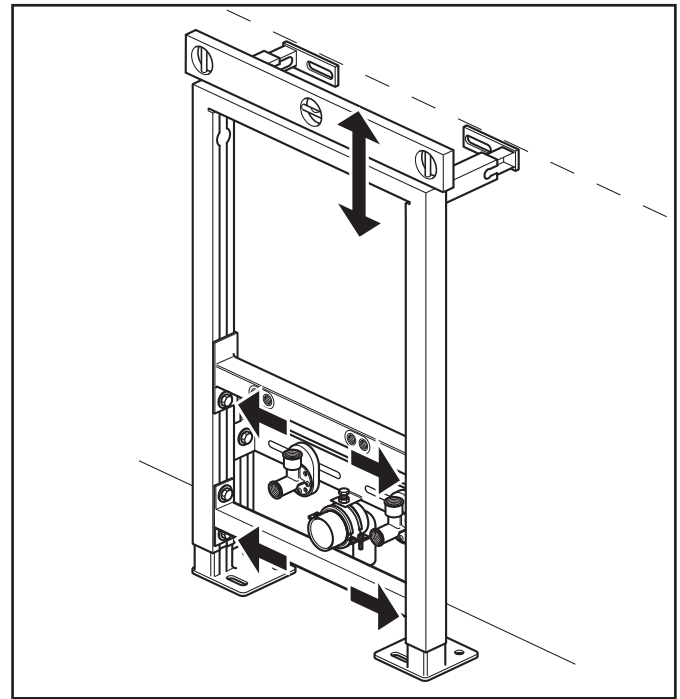
Bidet, Waste Fittings, Mixer/Taps, Suitable Wall/Floor Fixings.

Plumbing Tools, 13mm & 17mm Spanners, Spirit Level, Drill, Tape Measure, Flatblade Screwdriver, Saw (for pipework).



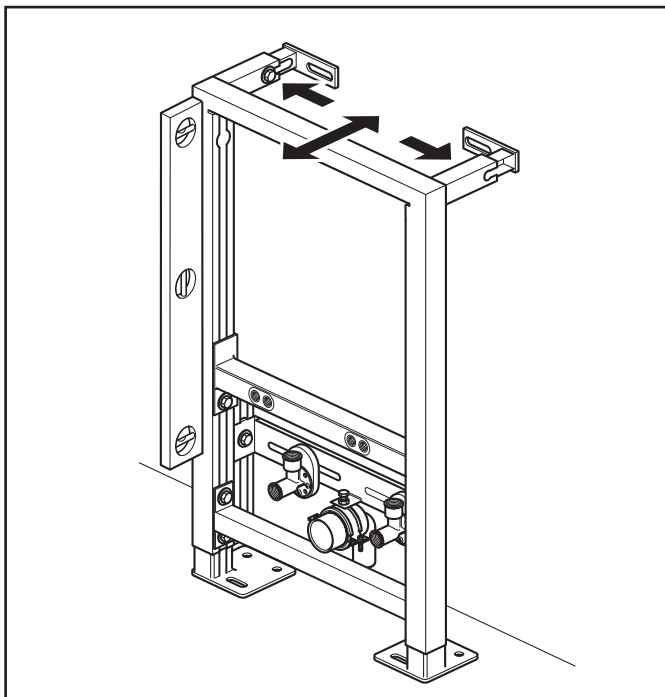
Step 1

Plan the position of the bidet. The recommended bidet height is 400mm to the front rim. The maximum height will depend on the bidet that is used and the end users requirements. The distance from the wall may depend on the space requirements for a cistern if a toilet is being installed in the same run.



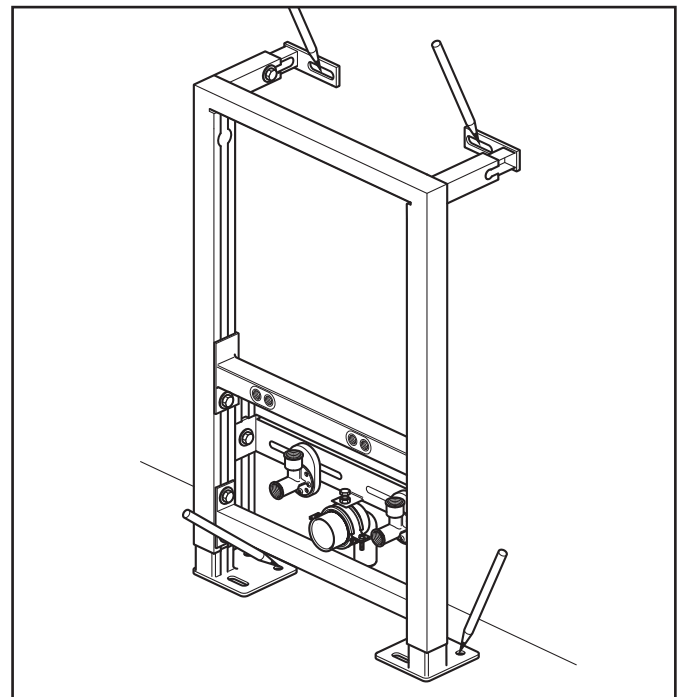
Step 2

Place the frame against the wall in the required position. Loosen the height adjustment bolts (and bidet support height adjustment bolts), set to the required height, check the frame is level and retighten all 4 bolts.



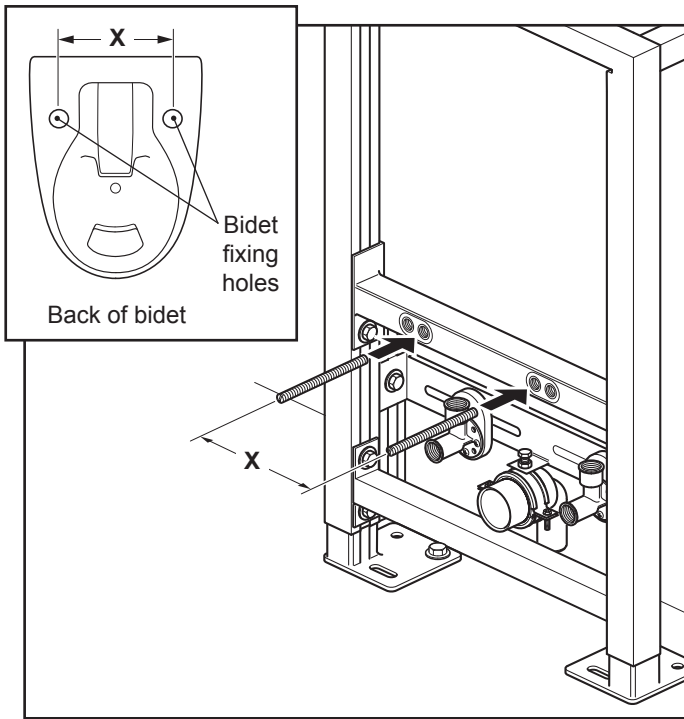
Step 3

Set the required distance from the wall. Loosen the wall adjustment bolts, set to the required distance, check the frame is vertical and retighten the bolts.



Step 4

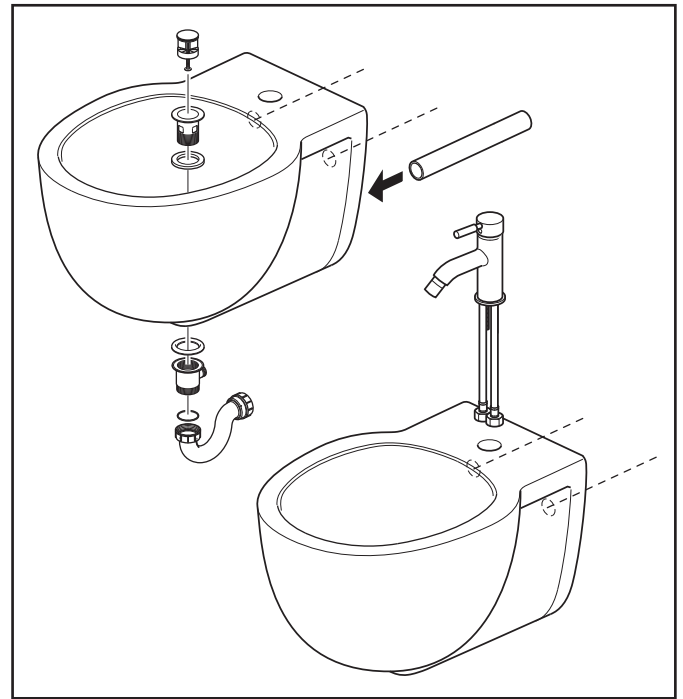
Mark the fixing positions on the wall and floor. Remove the frame and drill suitable holes for the fixings. Attach the frame to the wall and floor using suitable fixings. Check the frame is level in all directions.



Step 5

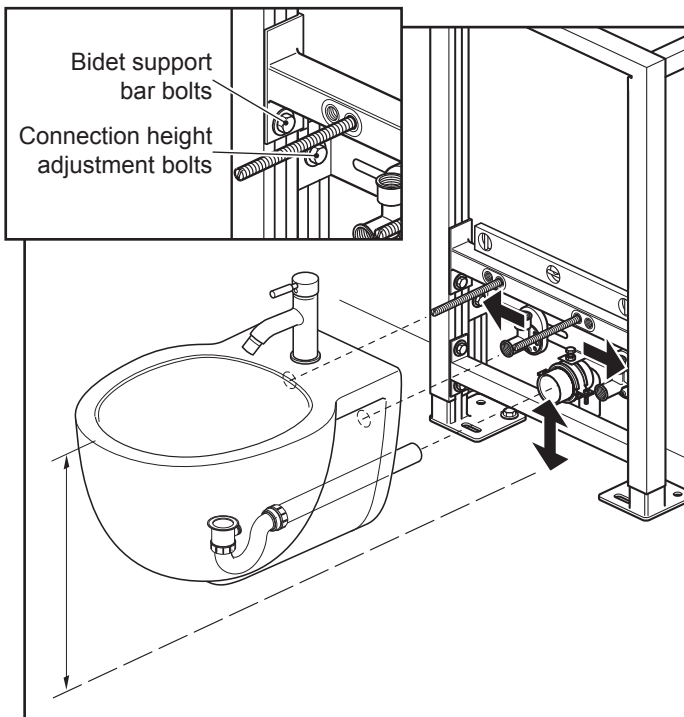
Measure the distance 'X' between the centres of the bidet fixing holes. Insert the bidet fixing bolts into the holes in the bidet support bar that match the bidet fixing holes.

The fixing bolts can be adjusted (in or out) using a large flatblade screwdriver to the length required.



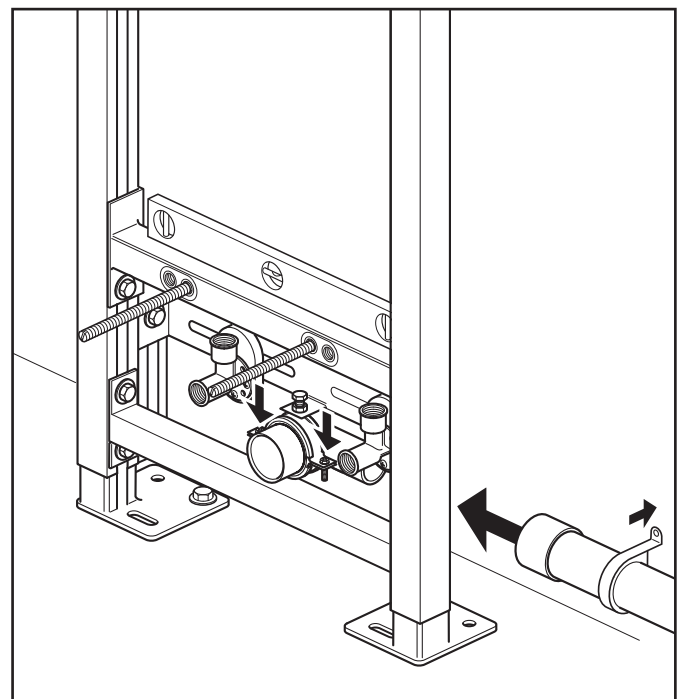
Step 6

Attach the trap, pop-up waste, waste pipe and mixer/tap, to the bidet.



Step 7

Carefully lift and position the bidet onto the bidet fixing bolts. Loosen the bidet support bar bolts and set the bar to the required height. Loosen the connection height adjustment bolts, set the connection support bar to the required height to line up with the waste outlet elbow. Retighten the bolts and remove the bidet.

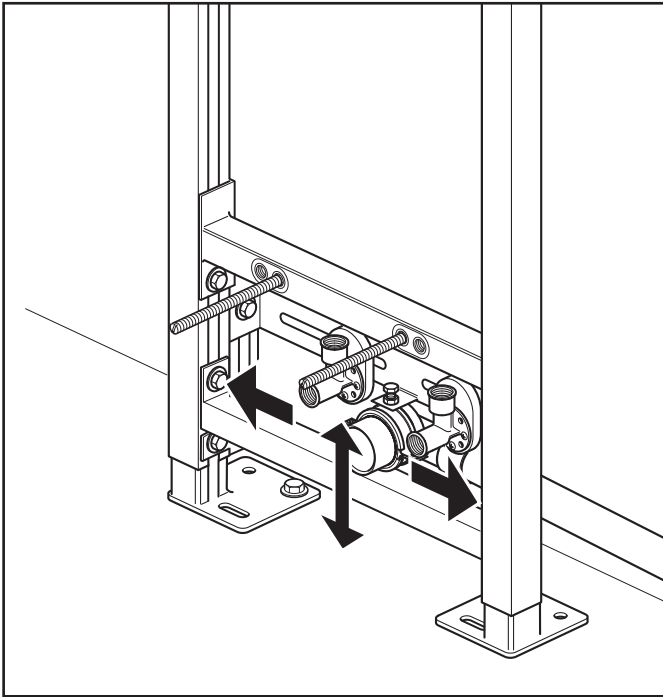


Step 8

Prepare and connect the waste water outlet (a push-fit waste is recommended).

Note: The waste outlet elbow can be rotated to take the waste water pipework by loosening the bolts shown.

Secure the pipework in the void.

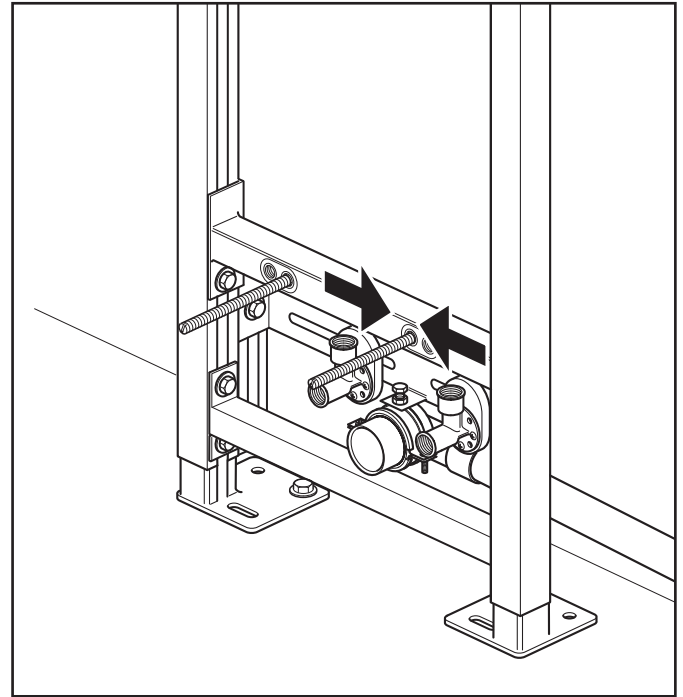


Step 9

Loosen the cross bar support height adjustment bolts.

Raise the cross bar support up as high as possible (under the waste outlet elbow) and retighten both bolts.

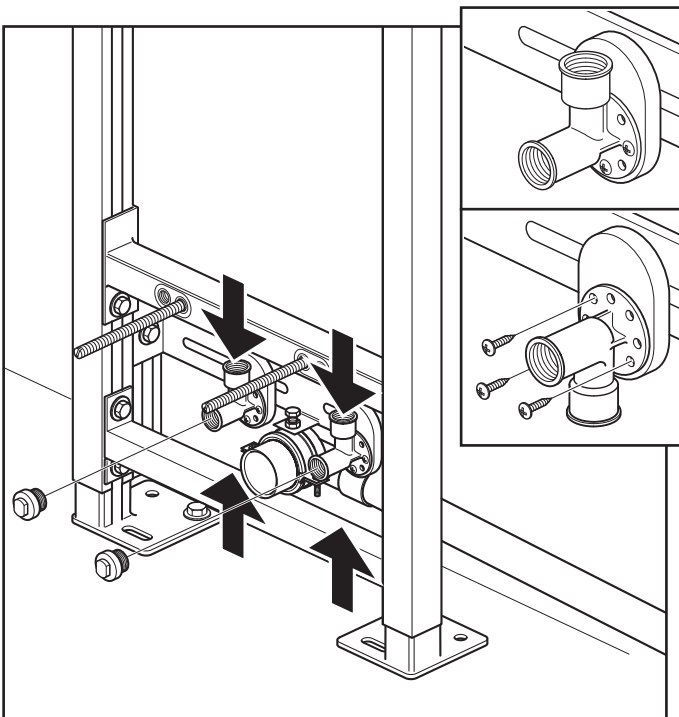
This will provide extra support for the bidet.



Step 10

Loosen the hot and cold inlet elbows (using the nut at the rear).

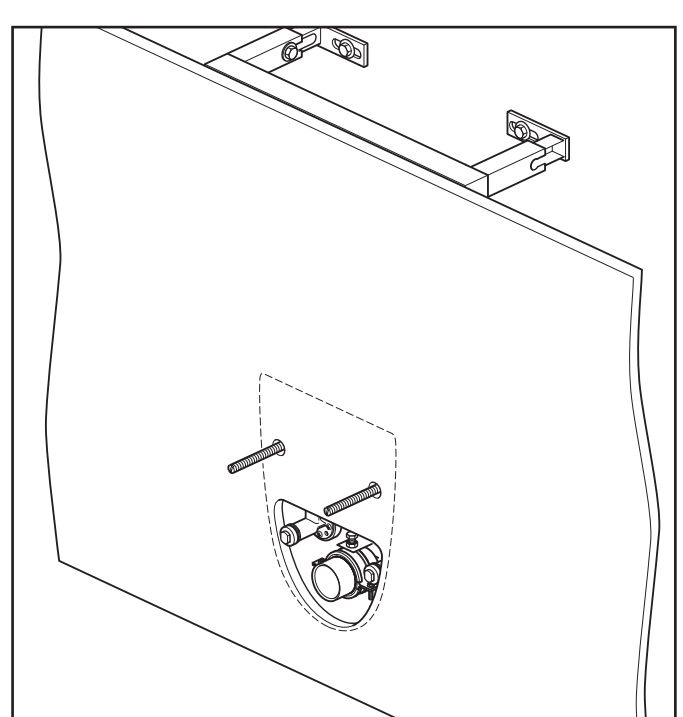
Set to the required distance apart to allow easy connection of the mixer supplies within the shroud of the bidet and retighten.



Step 11

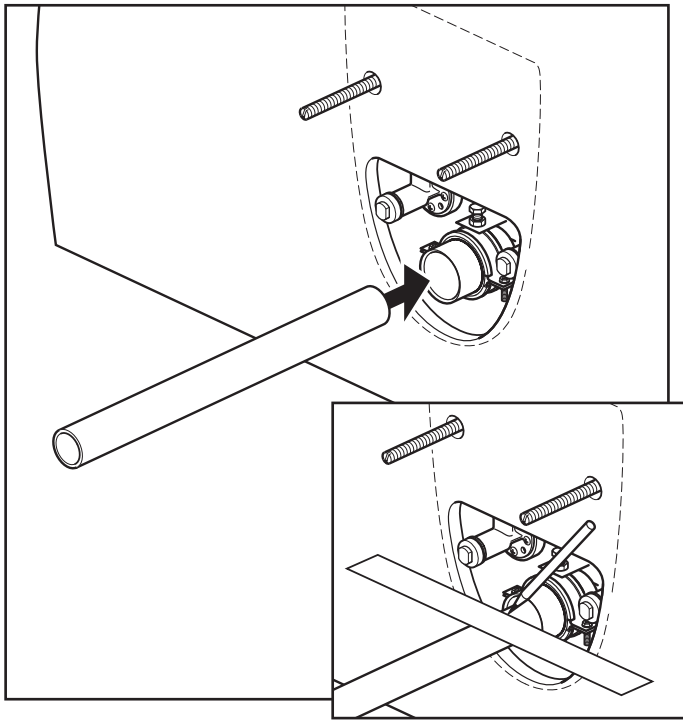
Connect the hot and cold pipework to the inlet elbows ($\text{Ø } \frac{1}{2}$ "), **screw the blanking plugs into the outlets.**

BSP female threaded outlets may need extending (depending on tile thickness etc), using male nipples. The hot and cold inlet elbows can be rotated to suit your pipework. It is essential that isolation valves are fitted in the void at this point.



Step 12

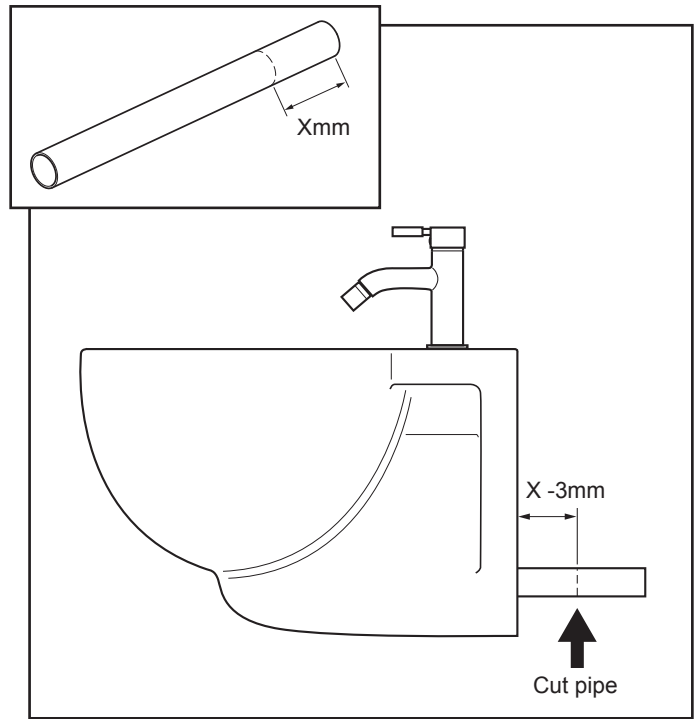
Build the partition wall, making the holes for the bolts and pipes. If required, tile the surface or apply the finish now.



Step 13

Push fit a 'spare' section of waste pipe fully into the waste outlet elbow.

Place a straight edge flush against the partition wall (as shown) and mark a line on the waste pipe. Remove the waste pipe from outlet elbow.

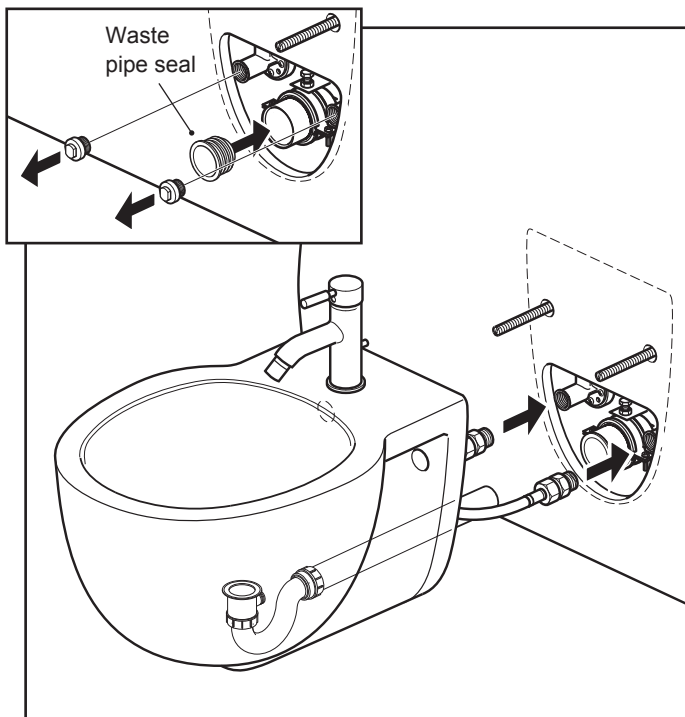


Step 14

Measure the marked length of the 'spare' waste pipe (Xmm).

This measurement **MINUS 3mm** is the length of waste pipe that is needed to extend from the back of the bidet into the waste elbow.

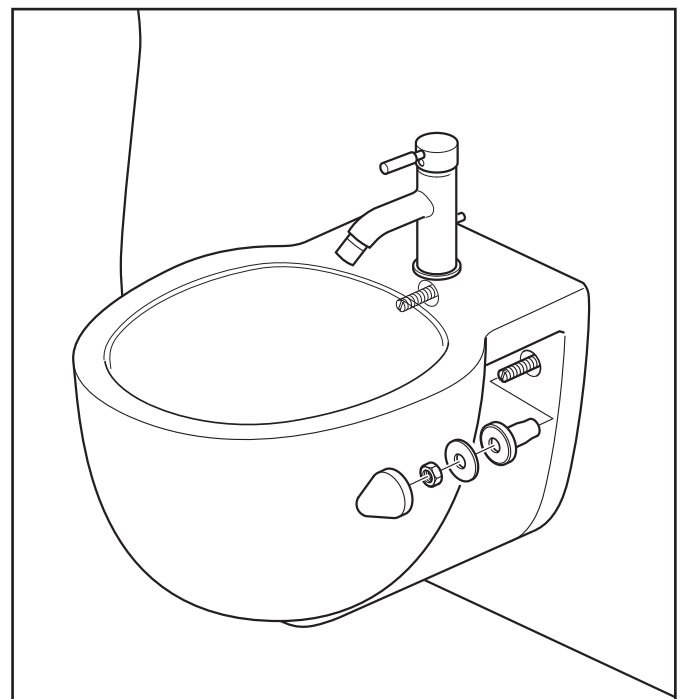
Cut the waste pipe to length and remove any burrs.



Step 15

Remove the blanking plugs from the outlets. Push fit the waste pipe seal into the waste outlet elbow and lubricate the inside.

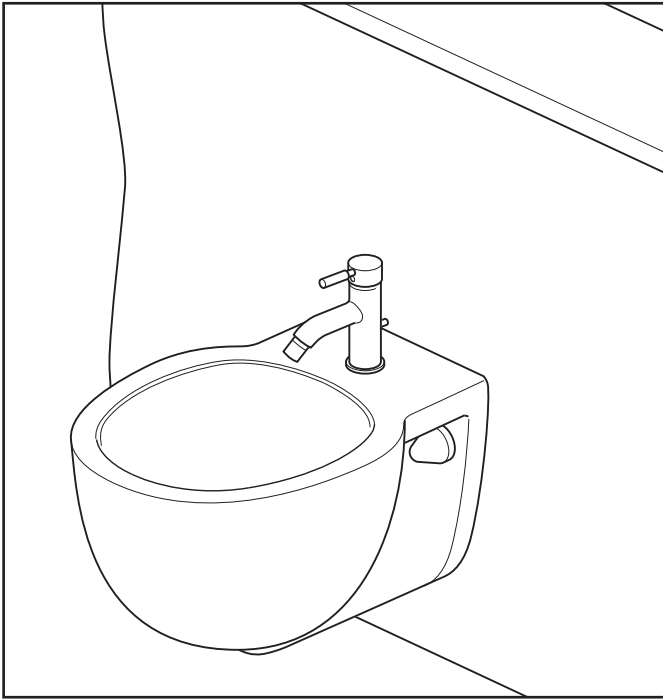
Offer up the bidet and connect the hot and cold flexible pipes to the inlet elbows, adaptors may be required. Fully tighten all connections. Carefully position the bidet onto the bidet fixing bolts, lining up the waste connections at the same time and push back.



Step 16

On each side of the bidet, place the plastic and metal washers onto the bolts, secure with the nuts and push fit the covers.

Note: The bidet fixing bolts can be lengthened or shortened using a large flatblade screwdriver.



Step 17

Finish the installation by water testing the inlet and outlet connections and isolators in the void. **Note:** You must ensure there is access to the connections in the void.

The installation is now completed by fitting the access lid to the void.