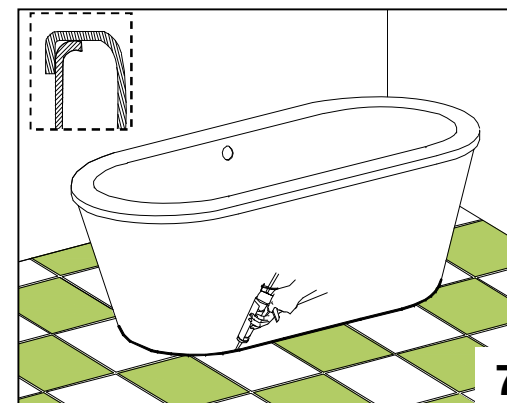
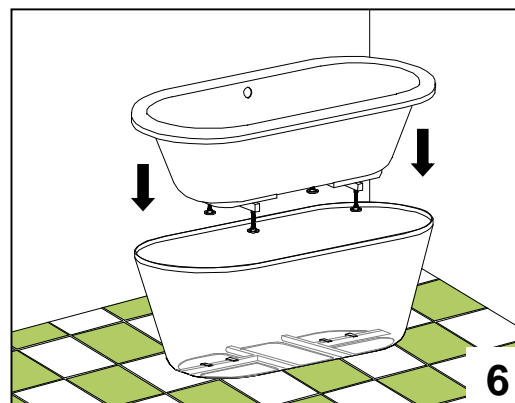
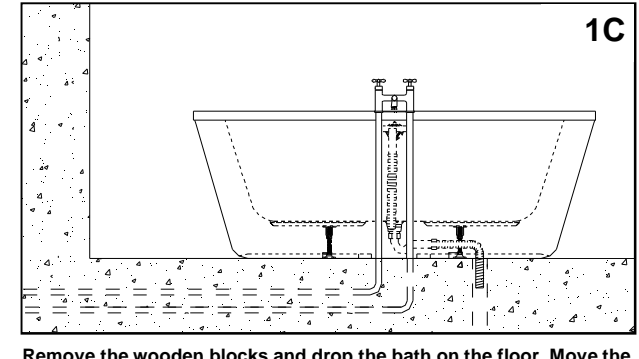
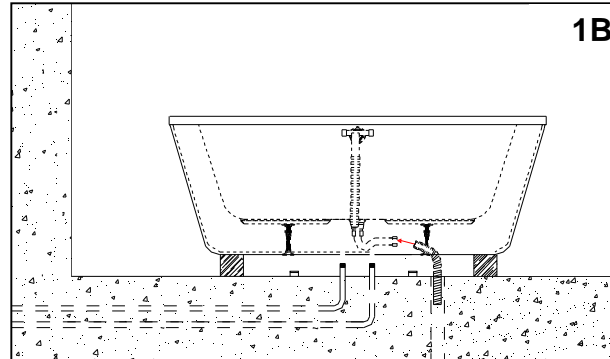
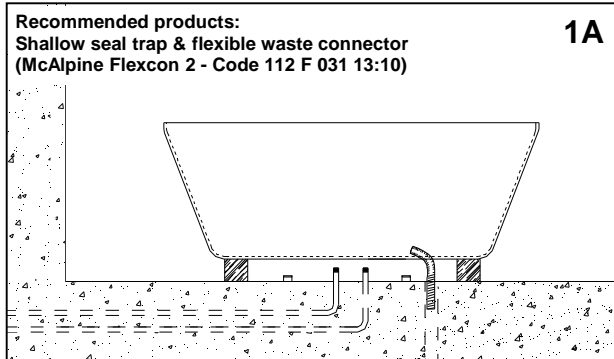
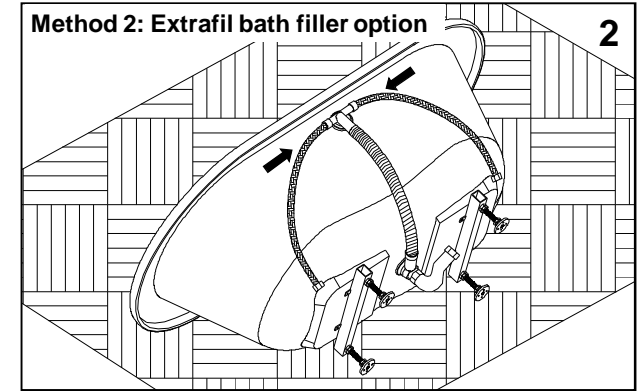
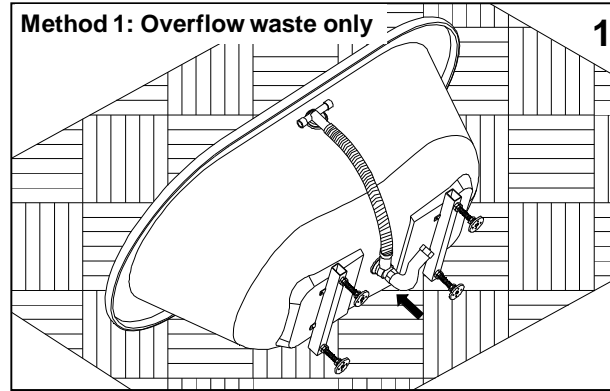
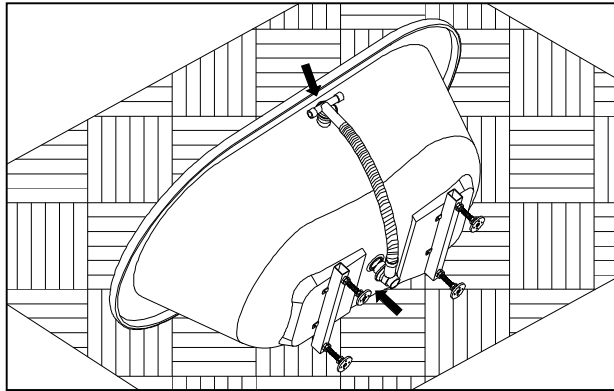


NOTES

- Prior to installation check that all fittings have been supplied.
- Assemble bath on a mat to protect against damage to bath surface.
- This installation guide does include recommendation of waste connection; final decision about installation and waste connection should be taken by a suitably qualified person.
- Follow each step in turn.

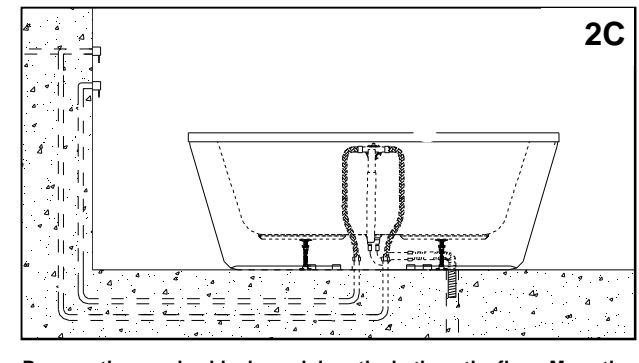
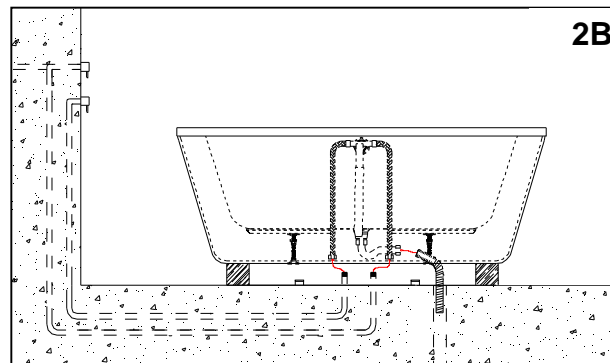
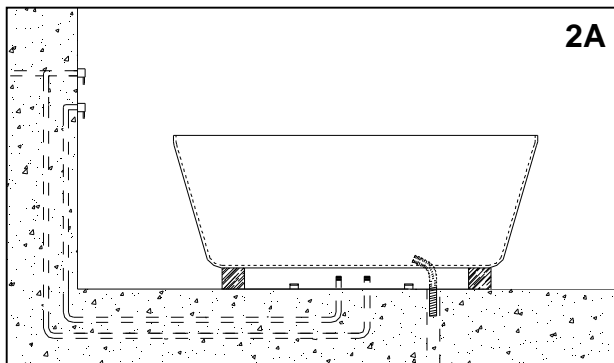




Place two wooden blocks between the bath panel and the floor to allow access underneath the bath.

Drop bath into the bath panel. Connect the bath waste/overflow to the floor mounted waste pipe. Fill the bath to test for leaks.

Remove the wooden blocks and drop the bath on the floor. Move the bath so that the floor brackets hook over the cross struts of the bath surround (see step 6). Once the bath is in position run a silicone bead along the line where the bath panel meets the floor.



Place two wooden blocks between the bath panel and the floor to allow access underneath the bath.

Drop bath into the bath panel. Connect the bath waste/overflow and tap connections to the floor mounted waste pipe and hot/cold or mixed water feeds. Fill the bath to test for leaks.

Remove the wooden blocks and drop the bath on the floor. Move the bath so that the floor brackets hook over the cross struts of the bath surround (see step 6). Once the bath is in position run a silicone bead along the line where the bath panel meets the floor.