

CONTOURAIL

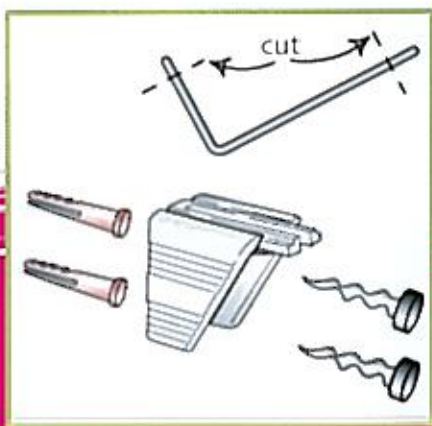
Shower Rail Fitting Instructions

1. Decide the shape you want to make. We suggest using the outline of your bath or shower tray as a guide to shape your Contourail. Contourail can be shaped by bending over a padded, hard surface. Please avoid bending over any sharp edges to avoid damaging the rail. We suggest using a rounded surface, such as a chair back or over your knee. (Please ensure appropriate care is taken when applying pressure to the rail when bending to shape).

Once you have formed your desired shape, use a fine tooth hacksaw to cut the rail to your required length.

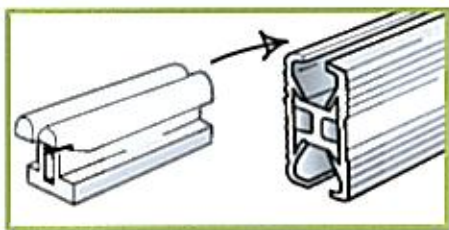
2. Hold one of the brackets to the wall at the height you intend to fix your rail. That will also allow the curtain to hang inside the bath or shower tray. Mark the drilling points through the screw holes in the bracket. Use a 1/4" (6mm) drill to make the screw holes.

Useful hint... if drilling into tiles, drill through a piece of masking tape to stop the drill slipping.

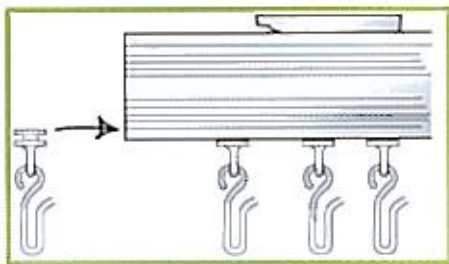


3. When fixing to solid walls, use the screws and plugs provided and affix the brackets to the wall. Take care not to over tighten! (If fitting to cavity walls, please use the appropriate fixings of your choice to ensure the rail is properly secured).

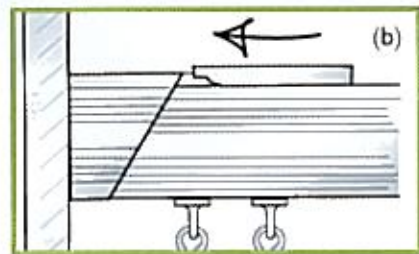
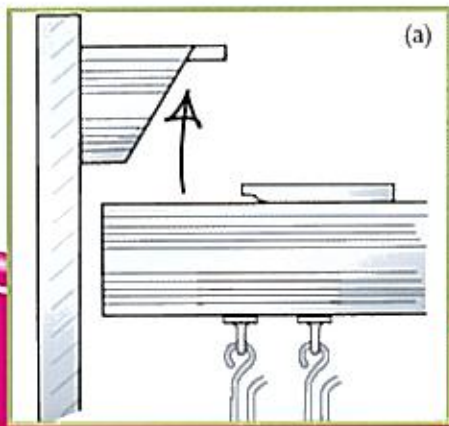
4. Before placing the rail in the wall brackets, slide the clamping block into the top of the track at either end of the rail with the tapered ends outwards, moving the blocks about 2" along the track.



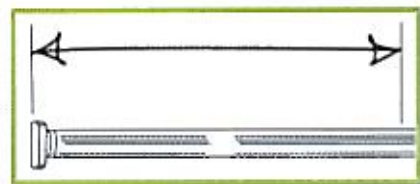
5. Slide the curtain hooks onto the bottom track.



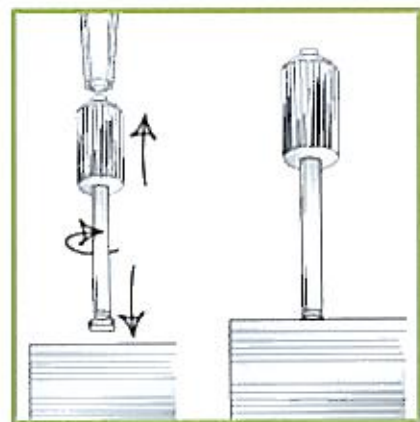
6. Push the rail upwards into the brackets (a), then slide the clamping blocks into position over the top of the brackets (b) and push the tapered wedge pieces down into the blocks to lock the rail in place.



7. To fix the support rod, screw the ceiling bracket into position over the centre of the rail.
8. Measure and cut the rod to the required length at the opposite end of the plastic peg, allowing extra space for the peg to fit into the track.



9. Slide the ceiling bracket cover over the rod. Push the cut end of the rail into the ceiling and turn the rod 90° to lock it into the rail. Push the bracket cover upwards to hold the rod in place.



You have fitted your Contourail!

Contourail is manufactured to take only the weight of a shower curtain. The manufacturer reserves the right to change or amend the specification without any prior notice.
Manufactured by Thine (Oshire) Ltd