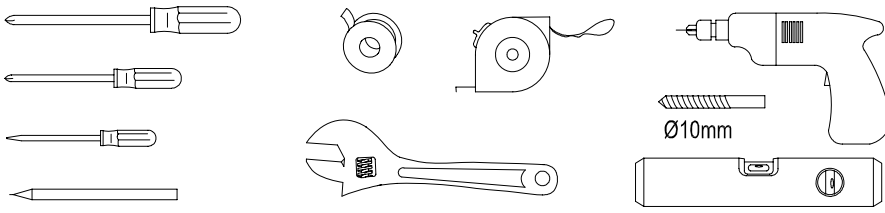
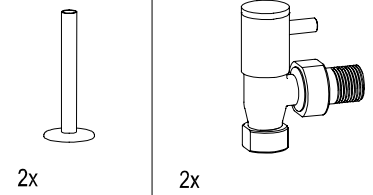


tools required



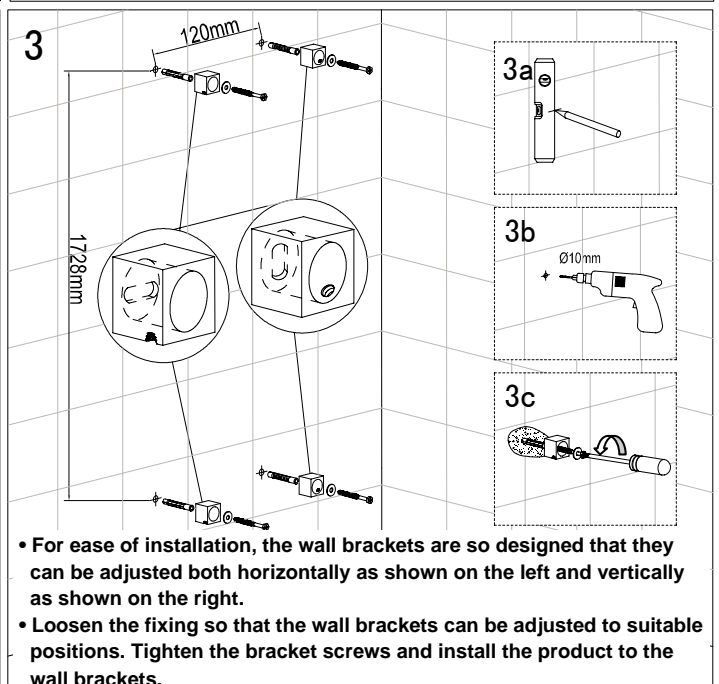
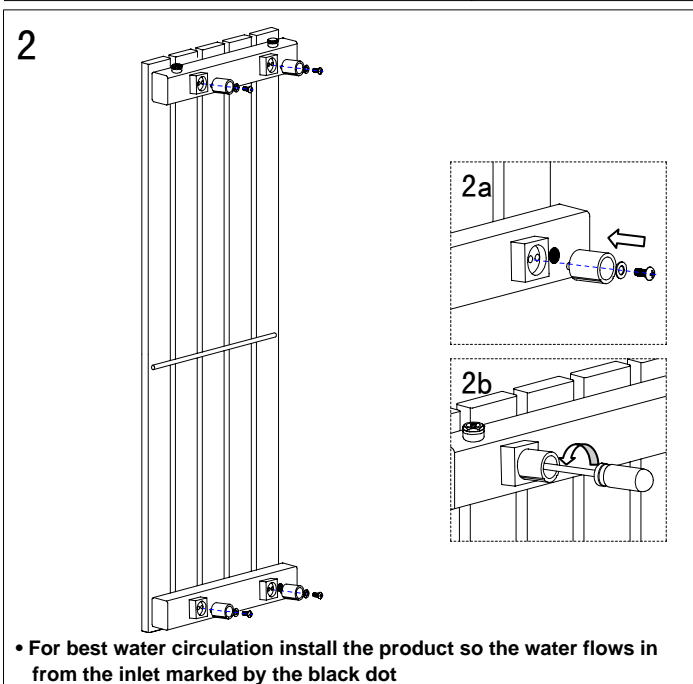
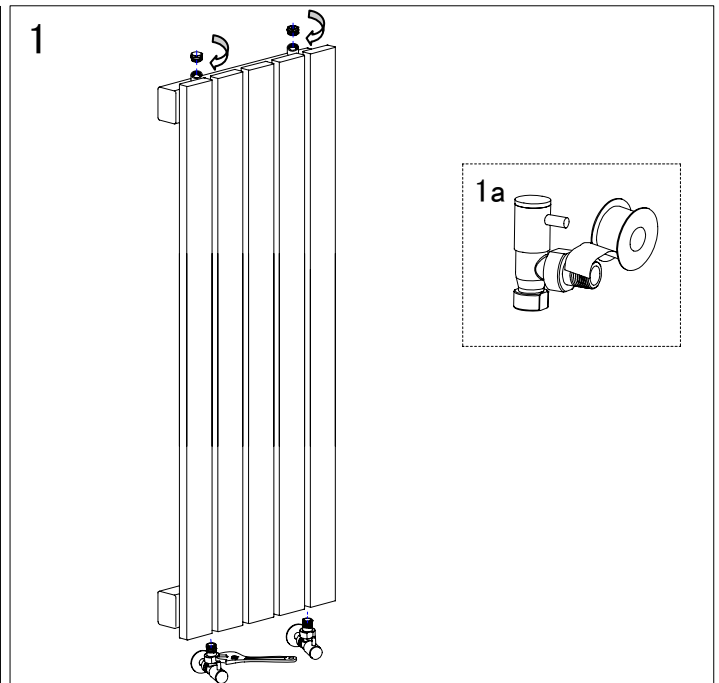
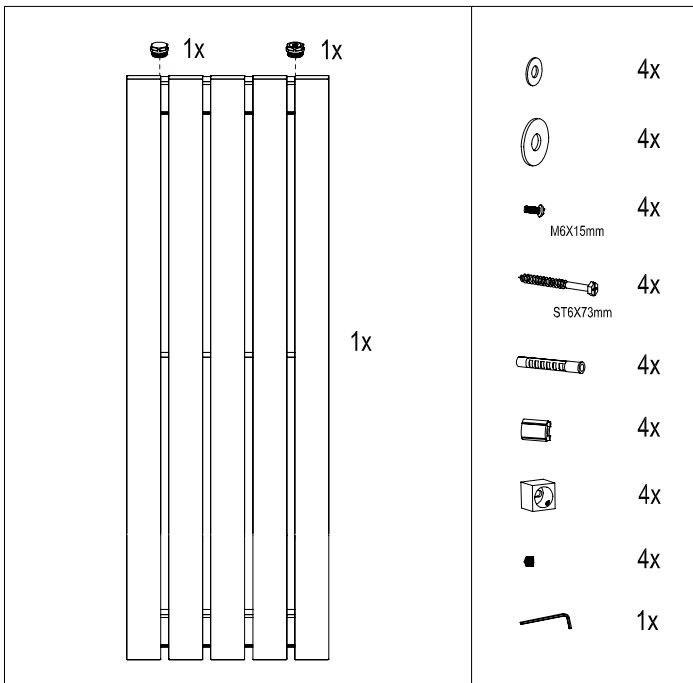
parts required

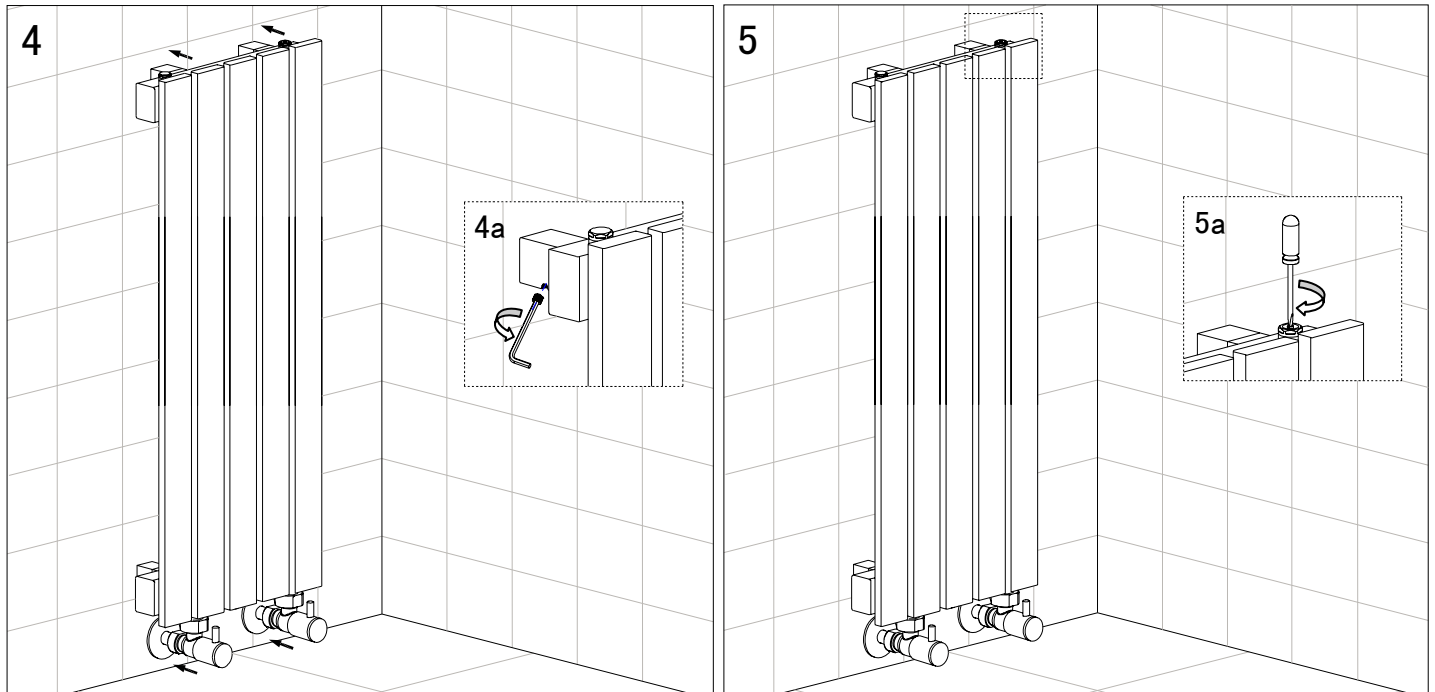


Design Vertical Radiator Installation Instructions

Product code : 43100001120

- review the instructions carefully before installation
- installation should be done by a suitably qualified person
- please dispose of packaging in a responsible manner





After installation ...

- Open the air vent with a screw driver. Open the inlet valve and fill the radiator with water.
- Once the radiator is filled, water will flow from the air vent. Close the air vent with a screw driver . Check all connections for leaks. If there are no leaks then the radiator is ready for use.

Maintenance...

- The outside of the towel warmer can be cleaned using warm soapy water and a soft cloth. Do not use scouring or abrasive cleaning agents , or acid based products as these could damage the finish.
- It is recommend that the unit should be drained if it not in use. Also drain the system if ambient temperatures drop below 0°C(32°F) so as to prevent damage from the water freezing. Before reusing, flush the system with a rust inhibitor to remove any oxidization.
- If the water temperature in the system exceeds 50°C (122°F), please install a warning mark near the radiator to prevent scalding accidents.
- If the product is not used for a prolonged period (for example spring and summer), ensure the radiator is kept filled with water containing a rust inhibitor to prevent oxidization occurring inside the radiator.
- This product should only be used with a maximum pressure of $PN \leq 1\text{MPa}$ (10Kg/cm², 10Bar).
Only for use with water. Maximum temperature $t \leq 100^\circ\text{C}$ (212°F).