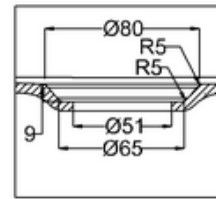
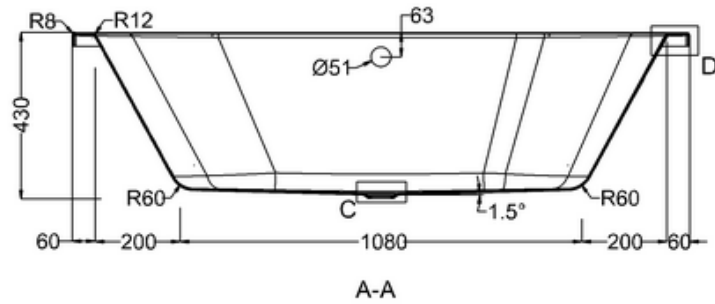
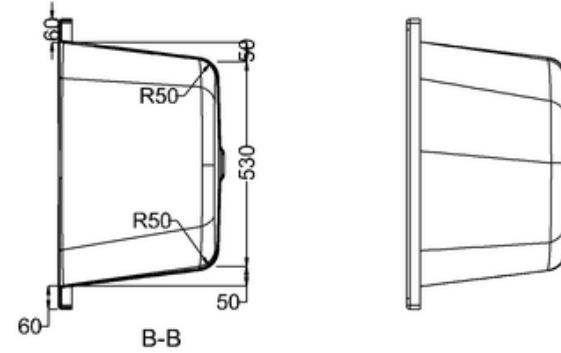
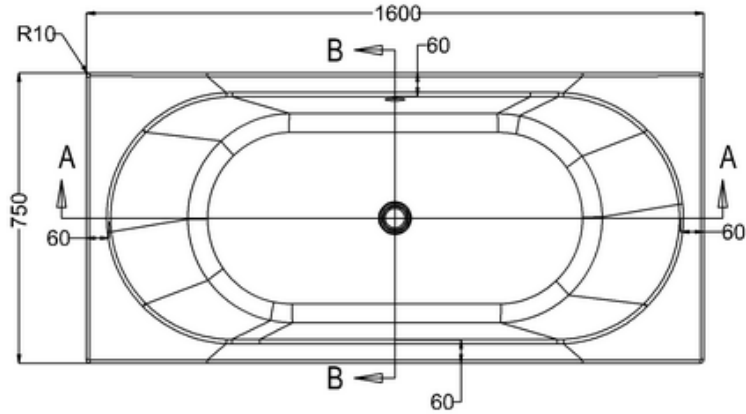


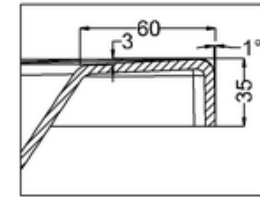


bathstore

41405002810 - 1600 x 750 WASH THERMAFORM BATH NTH WHT L1600 W750 H430 EXC FEET



C
SCALE 1:2



D
SCALE 1:2

