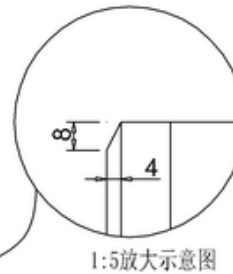
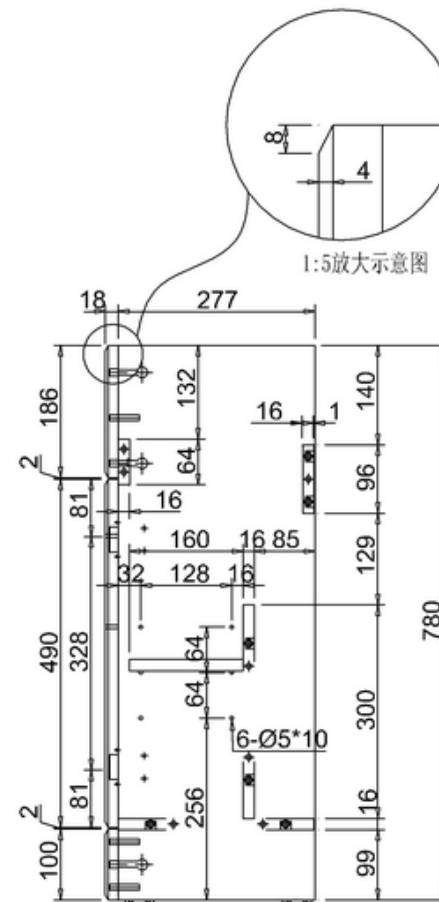
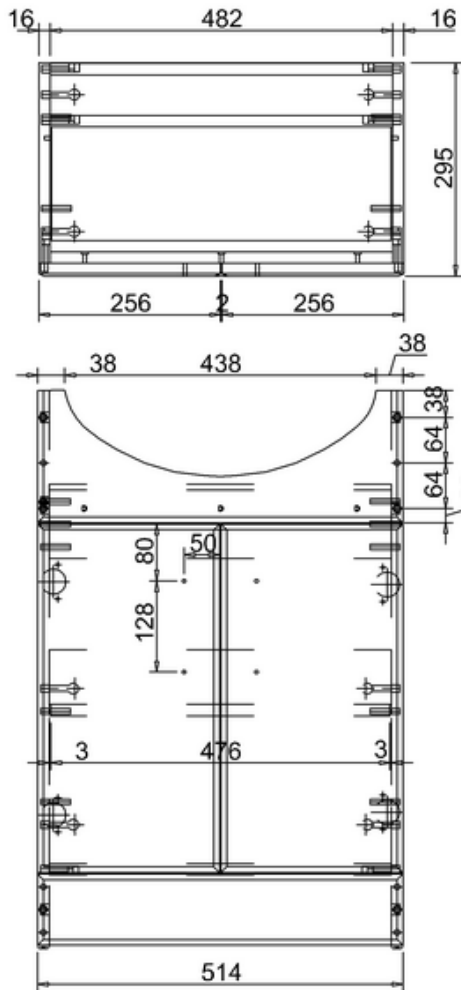




bathstore

# 20050090000 - BASICS MATCH 514 DOUBLE DOOR VANITY BASIN UNIT WHT W514 D300 H781

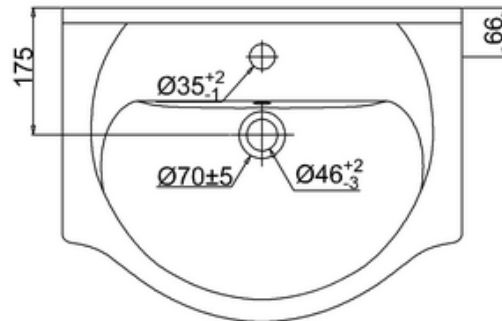


Note:  
The length, width, height dimension tolerance is  $\pm 5$   
The shelf dimension tolerance is  $\pm 2$



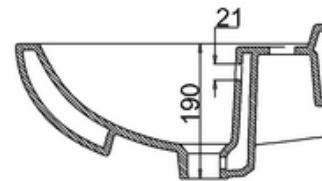
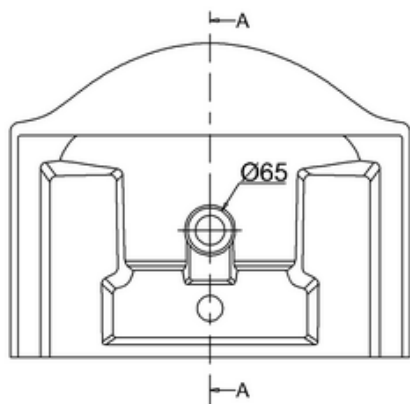
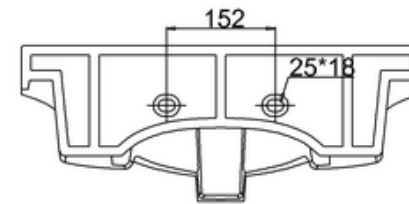
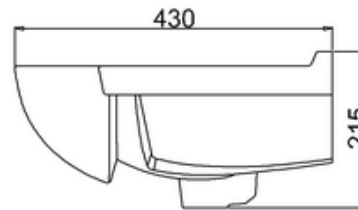
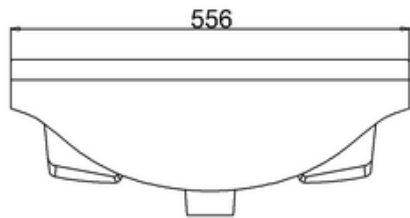
**bathstore**

## 20050090010 - BASICS MATCH 550 BASIN 1TH WHT W550 D430



Remark:

- 1: Flatness of installation surface: 0~2mm
- 2: Flatness of whole surface: 0~5mm
- 3: Flatness of main surface: 0~5mm
- 4: Flatness of side surface: 0~4mm
- 5: Distance from tap hole to edge of bowl: Max.80mm
- 6: Dim from basin back to center tap hole: Min.55mm
- 7: Distance between tap hole to drain hole: Max.170mm
- 8: Depth from tap platform to drain hole: Max.250mm

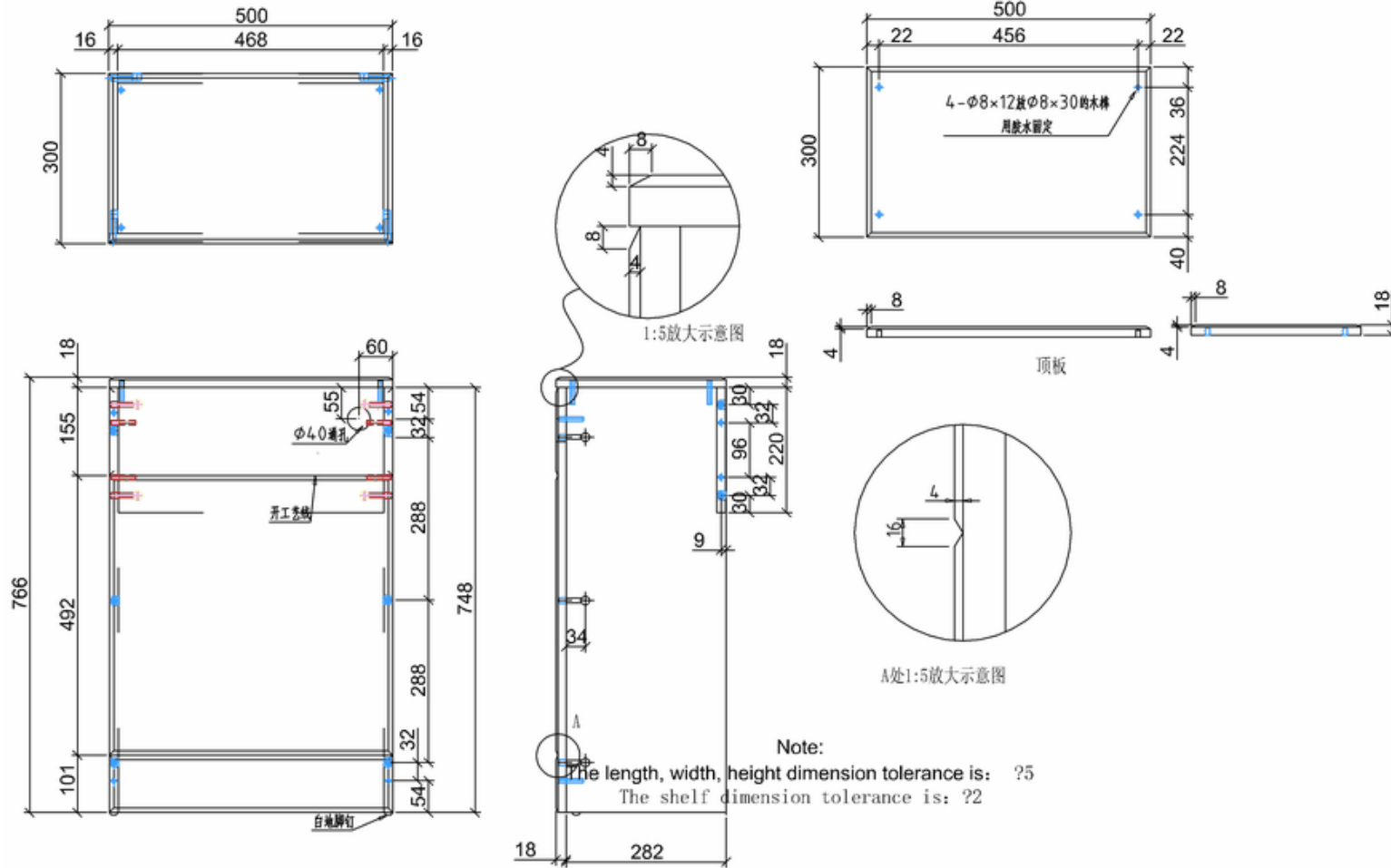


Tolerance= $\pm 10$ mm



bathstore

# 20050090040 - BASICS MATCH WC UNIT WHT EXC FITTINGS W500 D300 H766



Note:

The length, width, height dimension tolerance is: ?5  
The shelf dimension tolerance is: ?2



**bathstore**

# 41100060160 - BATHSTORE DUAL CONCEALED CISTERN POLY JACKET TOP ACCESS 400x357x160

