

# NOIR MATT BLACK 800 SIDE PANEL



## ILLUSTRATED

51000033970 NOIR MATT BLACK 800 SIDE PANEL CLEAN PLUS

## CONFIGURATION OPTIONS

## MATERIAL

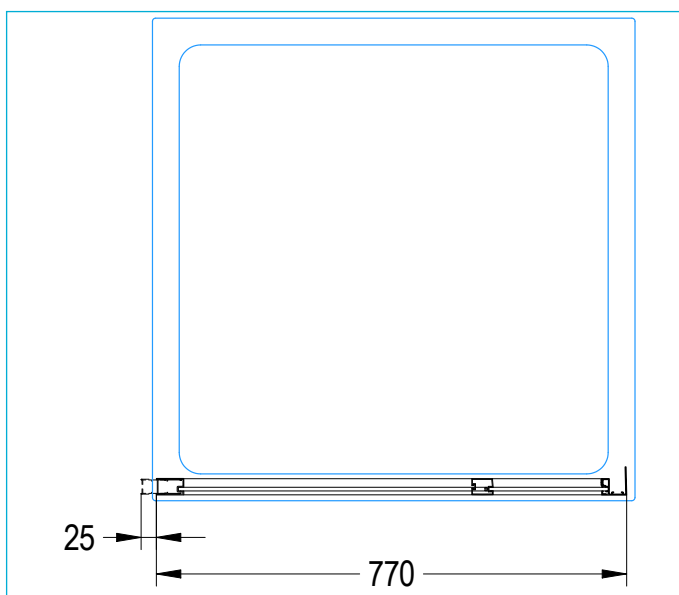
Aluminium  
6mm glass

## STANDARDS

BS EN 14428

## NET WEIGHTS

Screen 25.5kg



## COLOURS AND FINISHES

Matt black

## SPECIAL NOTES

Matching waste available

## FEATURES

Cutting edge design  
Clean+ technology reduces limescale build up making cleaning faster and easier

PRODUCT CODE	DESCRIPTION	HEIGHT (mm)	ADJUSTMENT RANGE (mm)
51000033970	Noir matt black 800 side panel	2000	768-793

For further details:

Go online at [bathstore.com](http://bathstore.com)

bathstore.com Ltd. Makes every effort to ensure that the information provided on its website is accurate. However, we cannot guarantee this, and accept no liability for any information given via its website.