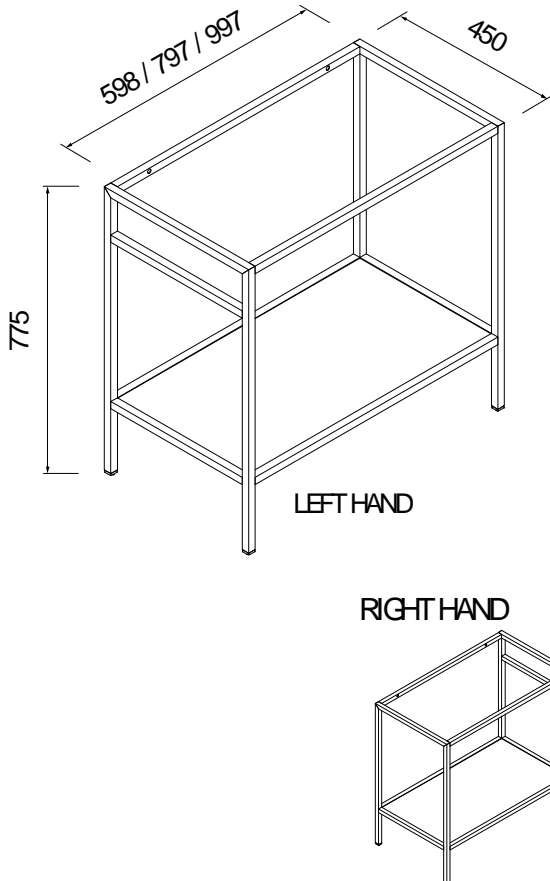


Assembly Instructions

Noir frame for 600 / 800 / 1000 basin unit

42000041130
42000041140
42000041150



IMPORTANT:

This vanity unit can be securely fixed to a suitably strong wall. It may be necessary to reinforce the wall at the fixing points. The fixing method used to secure the unit to the wall must be suitable for the wall construction.

CARE AND MAINTENANCE:

A furniture unit must be cleaned with a damp cloth. Do not use abrasive products, and do not expose the furniture unit to chemical agents.

Excess liquid and excess humidity must be cleaned immediately to prevent penetration into the furniture unit.

Avoid contact with sharp items that can damage the furniture surfaces.

Excessive exposure to direct sunlight can cause discolouration and deterioration of the furniture finishes.

It is recommended to install the furniture in a well-ventilated area and to avoid direct exposure to sunlight.

DIMENSIONS 600 unit:

Width: 598mm
Depth: 450mm
Height: 775mm

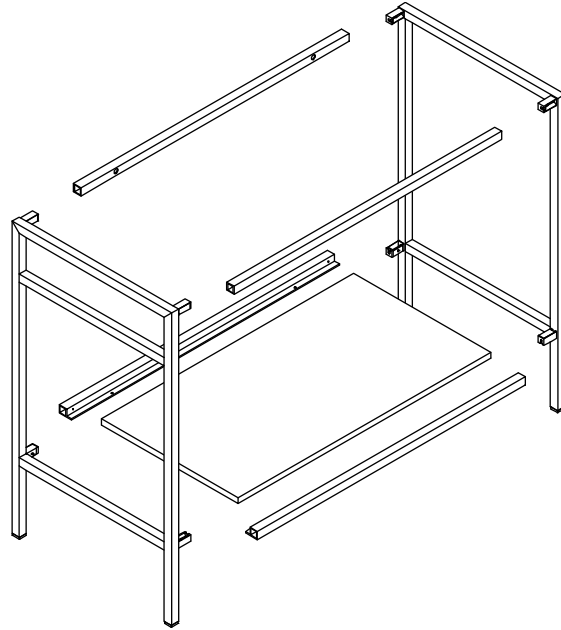
DIMENSIONS 800 unit:

Width: 797mm
Depth: 450mm
Height: 775mm

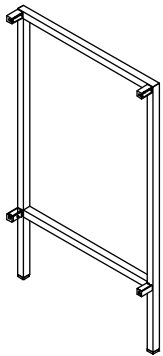
DIMENSIONS 1000 unit:

Width: 997mm
Depth: 450mm
Height: 775mm

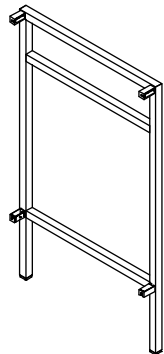
EXPLODED VIEW



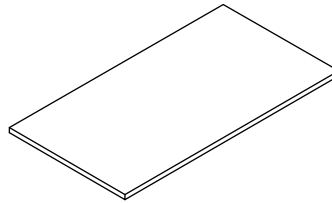
PIECES REQUIRED



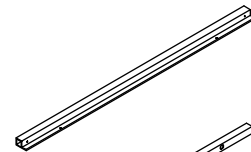
P01
X1



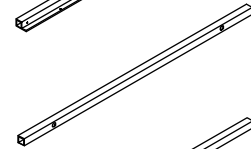
P02
X1



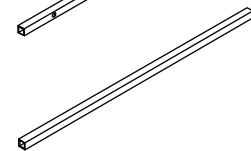
P03
X1



P04
x2



P05
x1



P06
x1

METAL FITTINGS REQUIRED



H01
X4



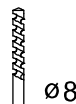
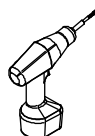
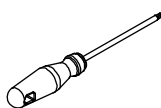
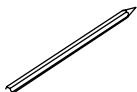
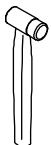
H02
X2

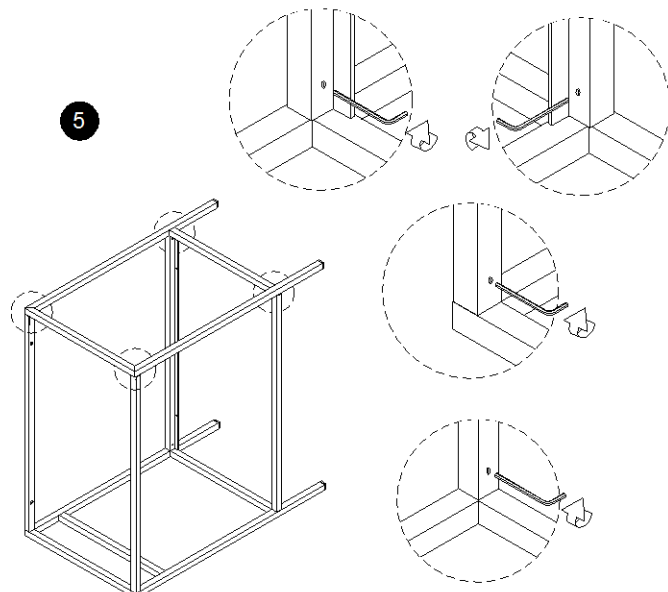
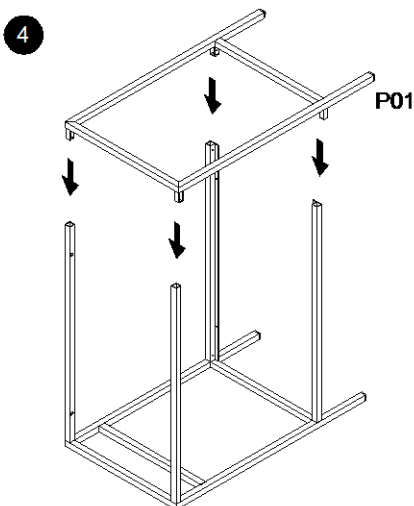
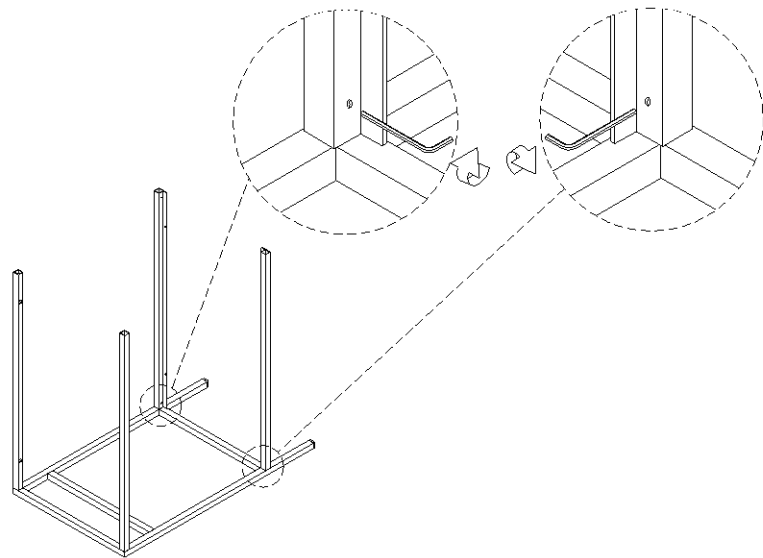
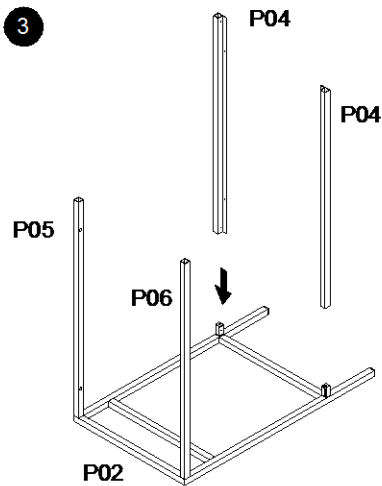
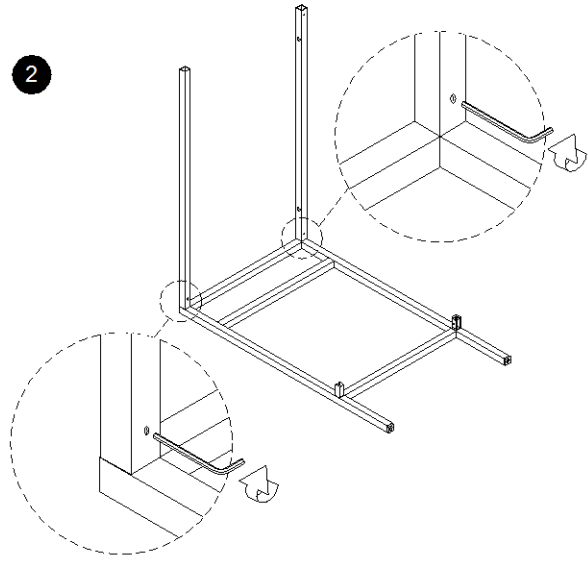
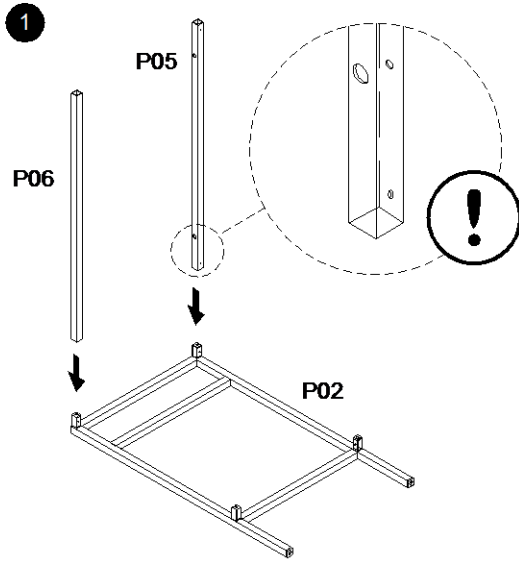


H03
X2

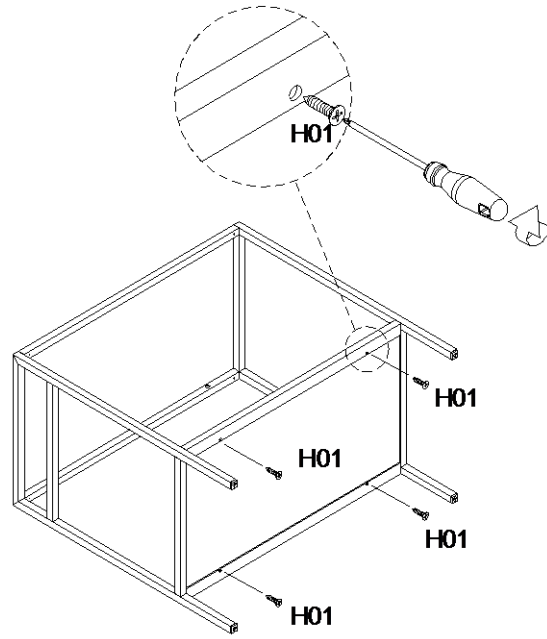
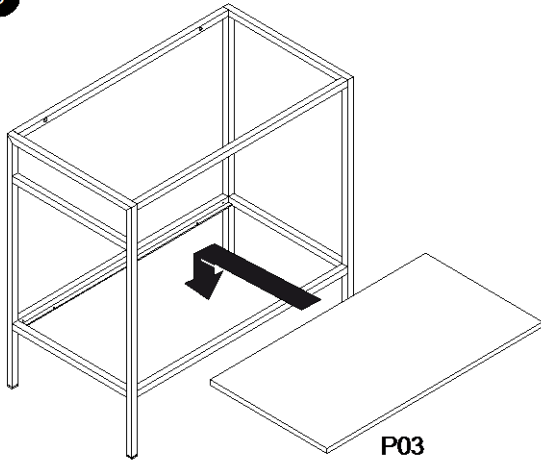
NOTE: Screws (H03) and wall plugs (H02) are only suitable for use in masonry walls. Appropriate fixings should be used for other types of wall.

TOOLS REQUIRED

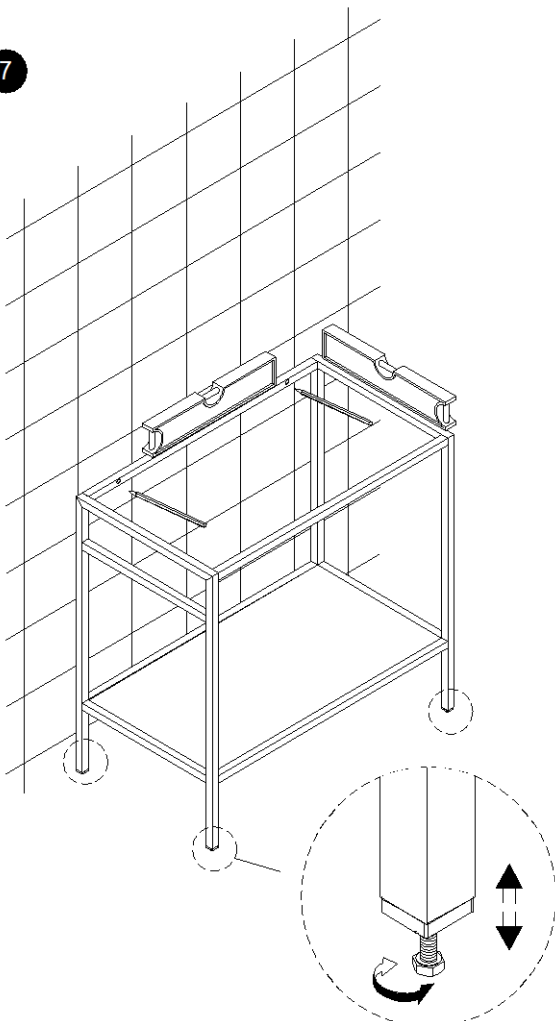




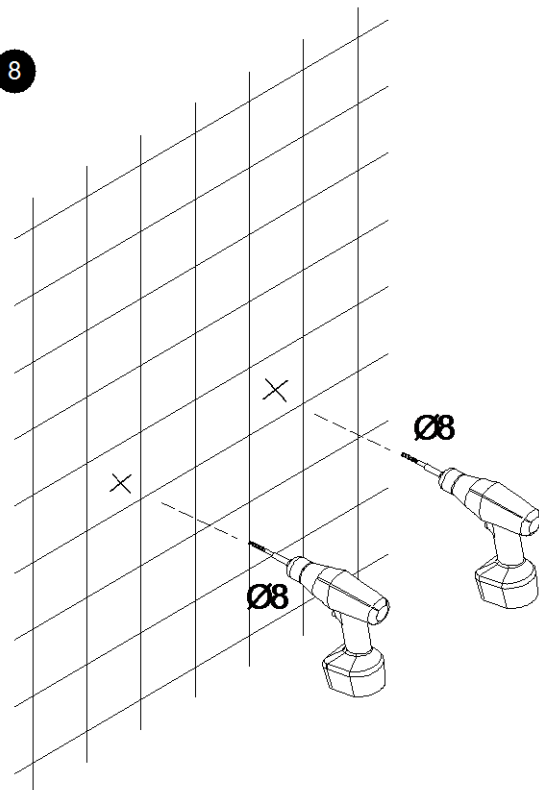
6



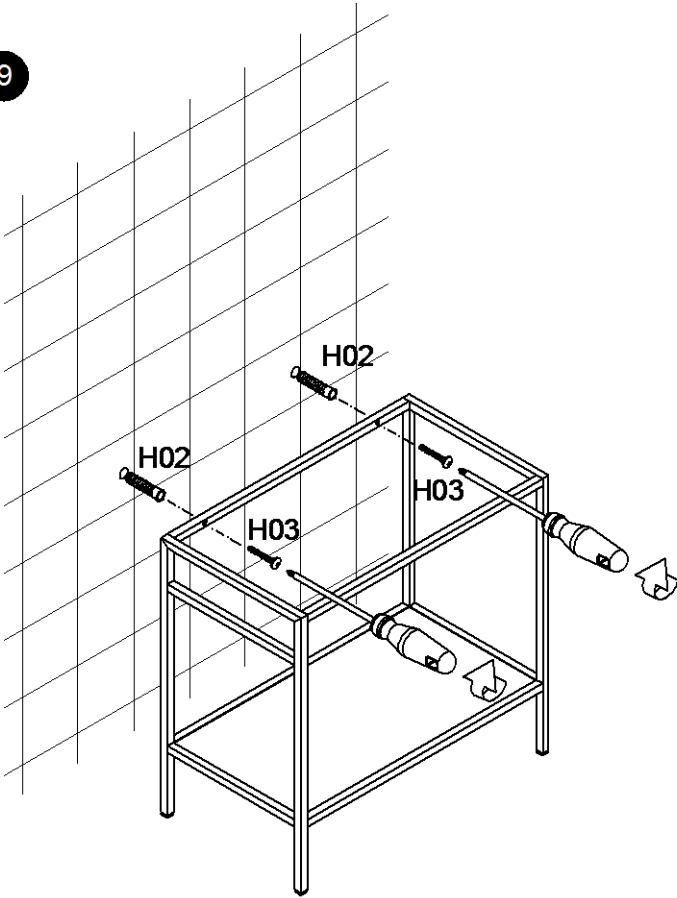
7



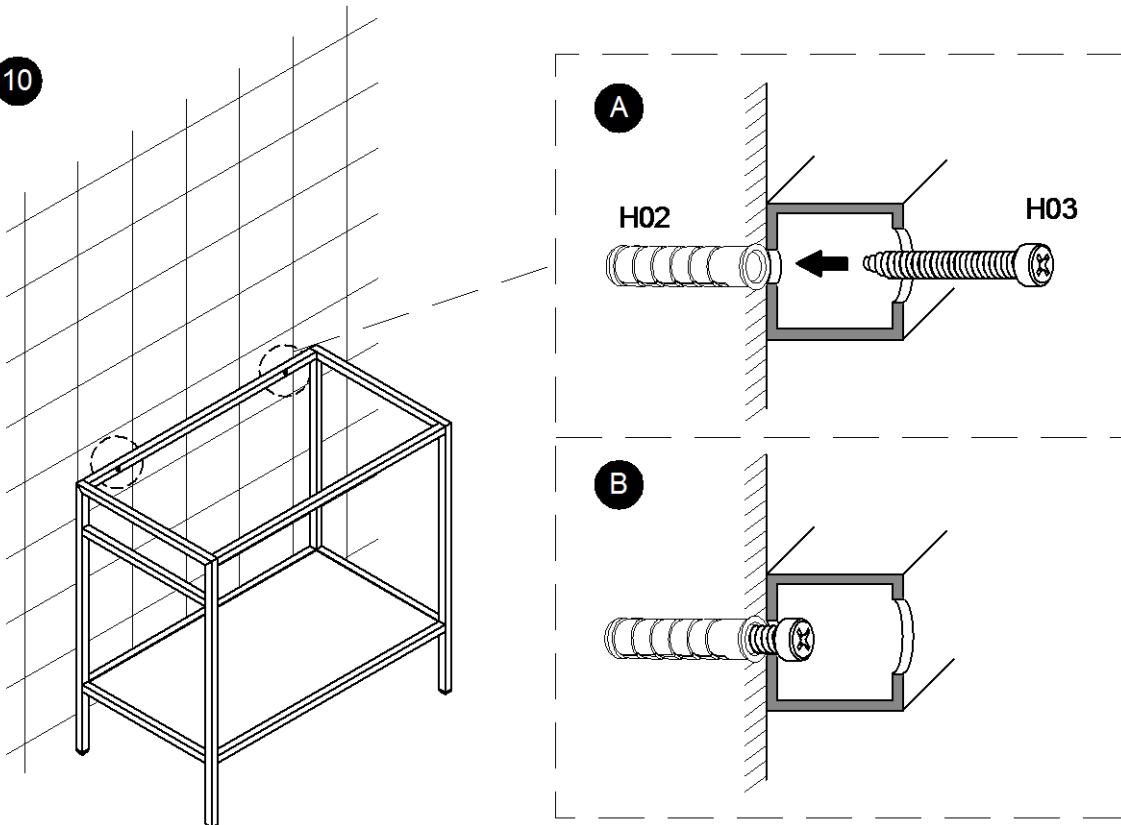
8



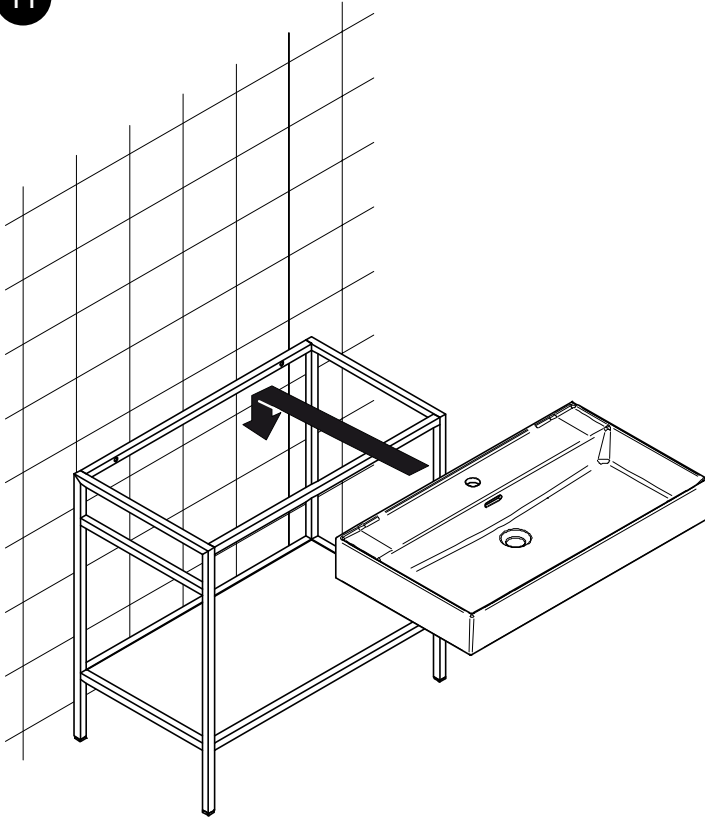
9



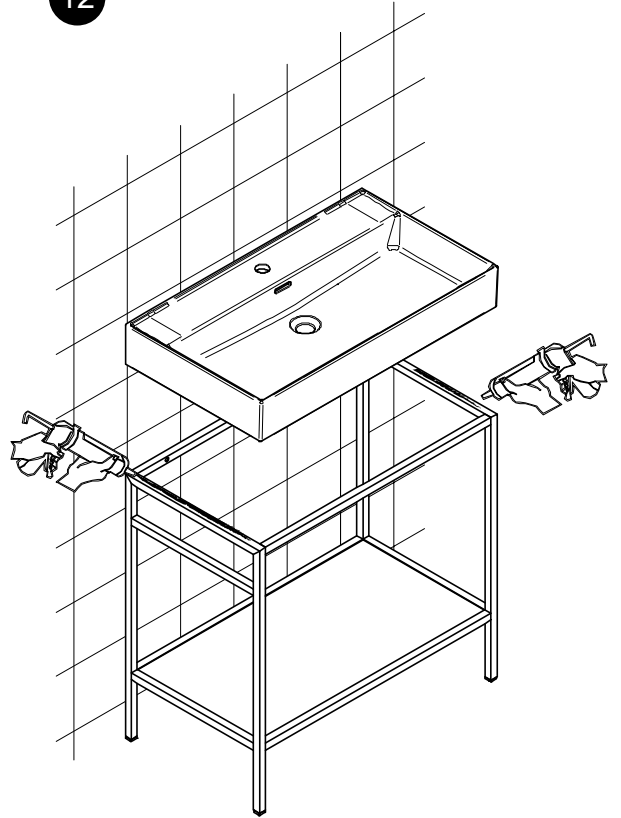
10



11



12



13

