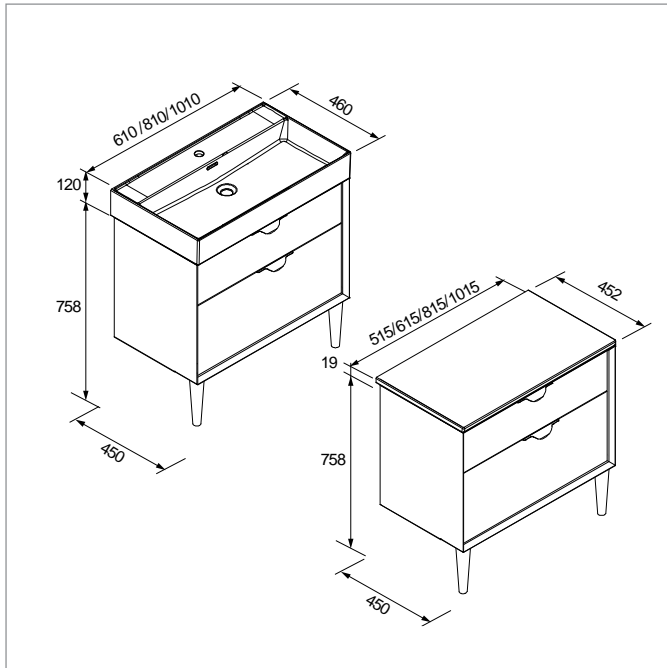


## Assembly Instructions

### Noir Craft 500 / 600 / 800 / 1000 basin unit

42000041050  
42000041060  
42000041070  
42000041080



#### DIMENSIONS

##### 500unit:

Width: 505mm  
Depth: 450mm  
Height: 758mm

#### DIMENSIONS

##### 600unit:

Width: 605mm  
Depth: 450mm  
Height: 758mm

#### DIMENSIONS

##### 800unit:

Width: 805mm  
Depth: 450mm  
Height: 758mm

#### DIMENSIONS

##### 1000unit:

Width: 1005mm  
Depth: 450mm  
Height: 758mm

#### IMPORTANT:

This vanity unit can be securely fixed to a suitably strong wall. It may be necessary to reinforce the wall at the fixing points. The fixing method used to secure the unit to the wall must be suitable for the wall construction.

#### CARE AND MAINTENANCE:

A furniture unit must be cleaned with a damp cloth. Do not use abrasive products, and do not expose the furniture unit to chemical agents.

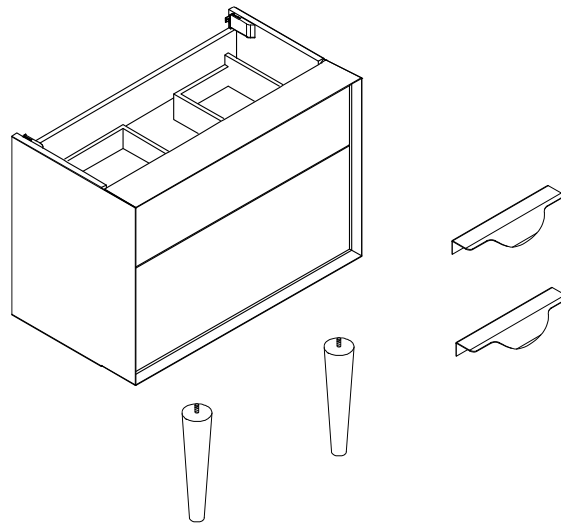
Excess liquid and excess humidity must be cleaned immediately to prevent penetration into the furniture unit.

Avoid contact with sharp items that can damage the furniture surfaces.

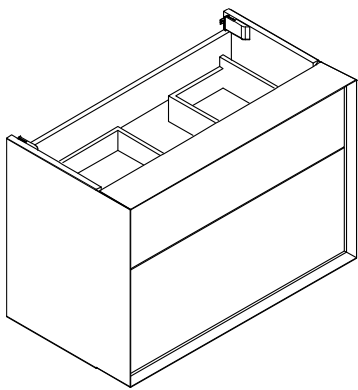
Excessive exposure to direct sunlight can cause discolouration and deterioration of the furniture finishes.

It is recommended to install the furniture in a well-ventilated area and to avoid direct exposure to sunlight.

EXPLODE VIEW



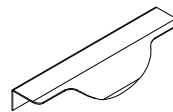
PIECES REQUIRED



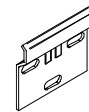
P01  
X1



P02  
X2

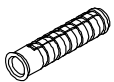


P03  
X2

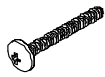


P04  
X2

METAL FITTINGS REQUIRED



H01  
X4



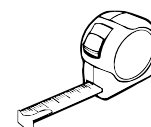
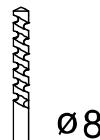
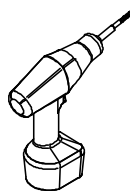
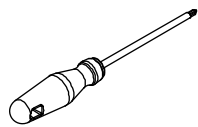
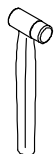
H02  
X4

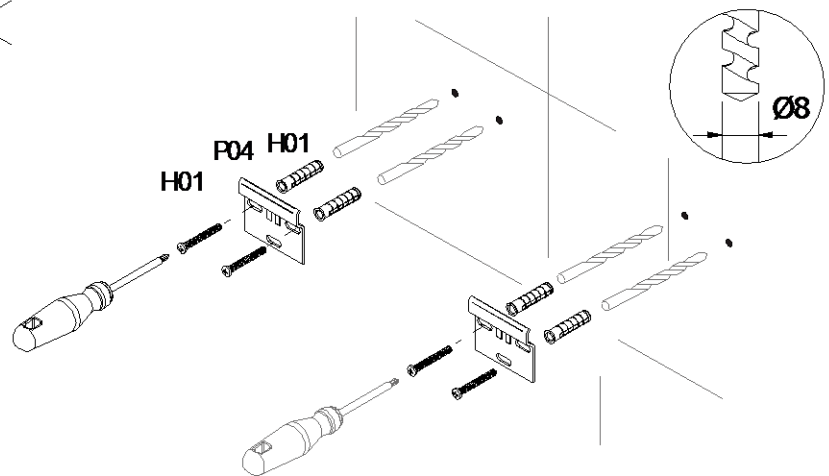
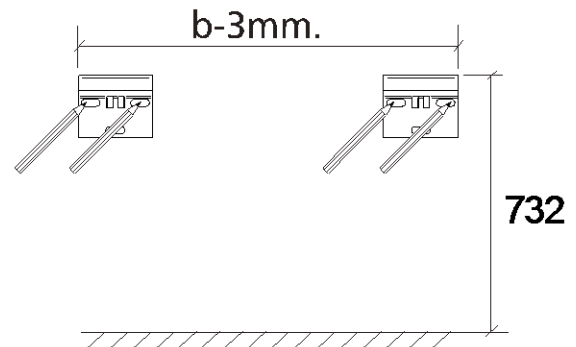
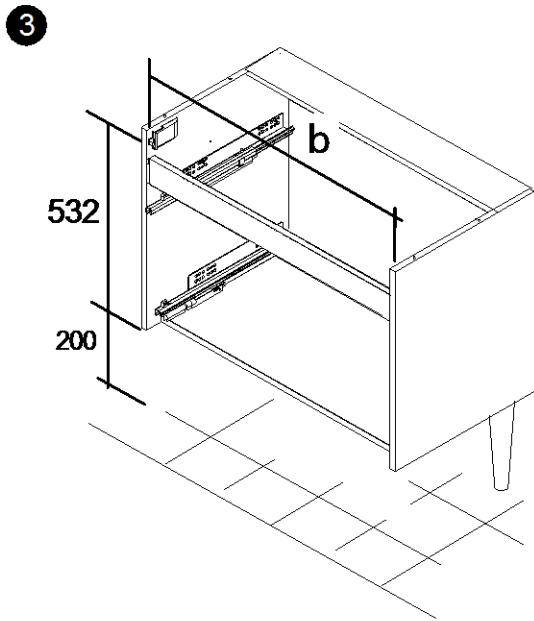
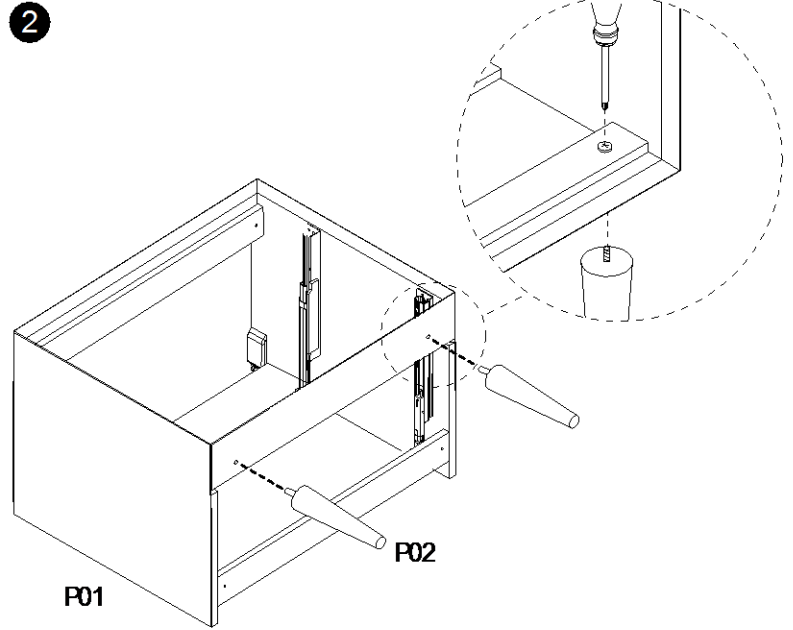
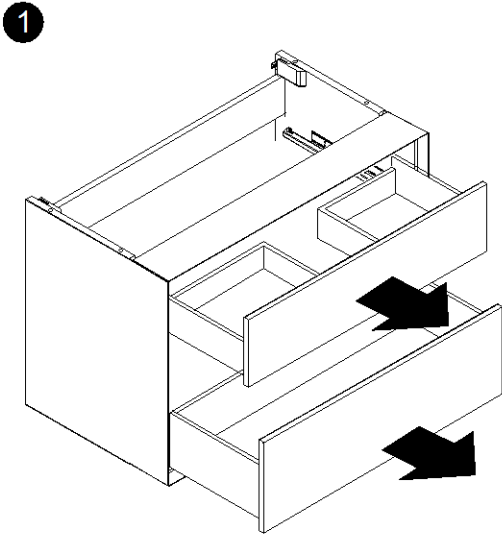


H03  
X4

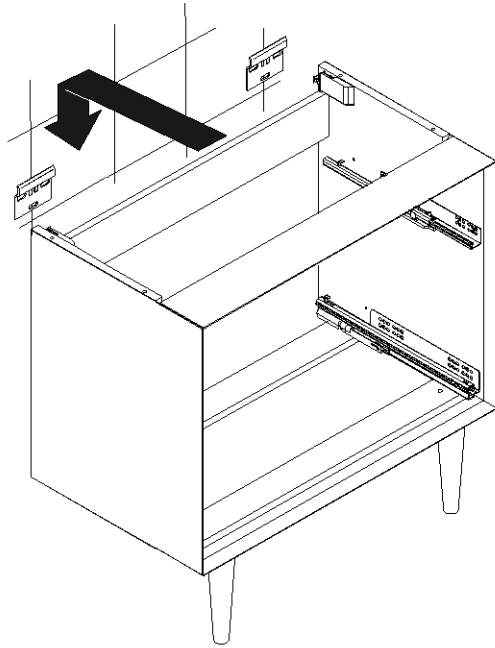
NOTE: Screws (H02) and Wall plugs (H01) are only for use in masonry walls. Appropriate fixings should be used for other types of wall.

METAL FITTINGS REQUIRED

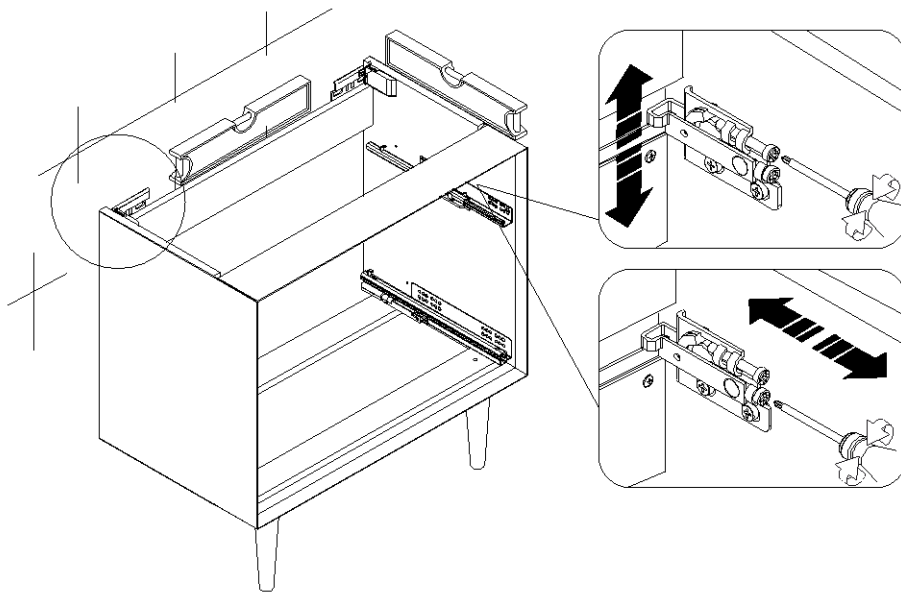




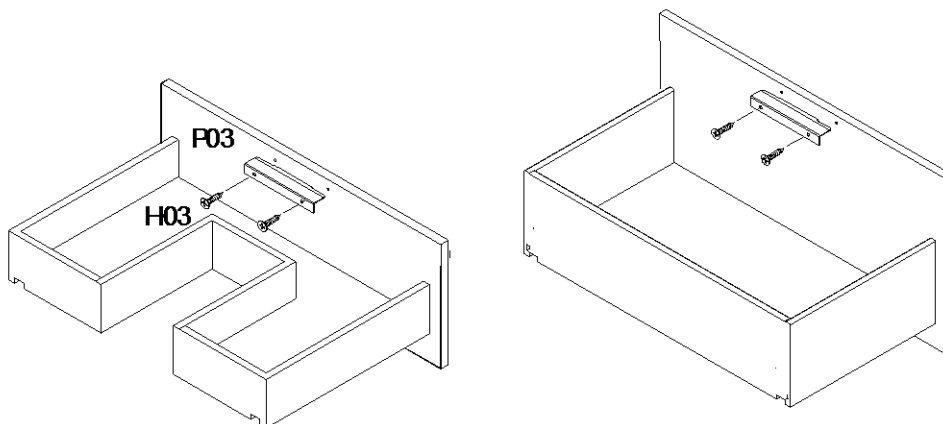
4



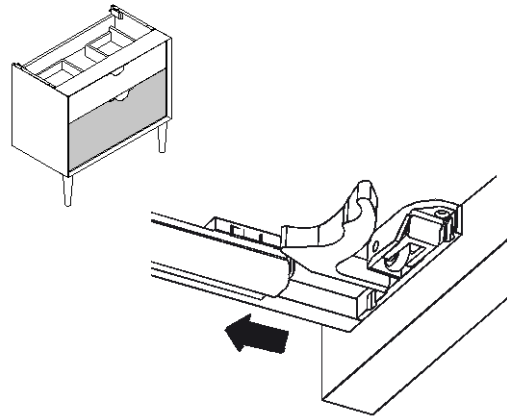
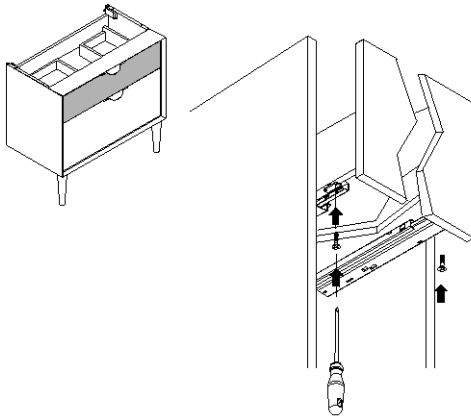
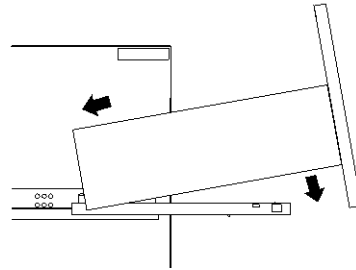
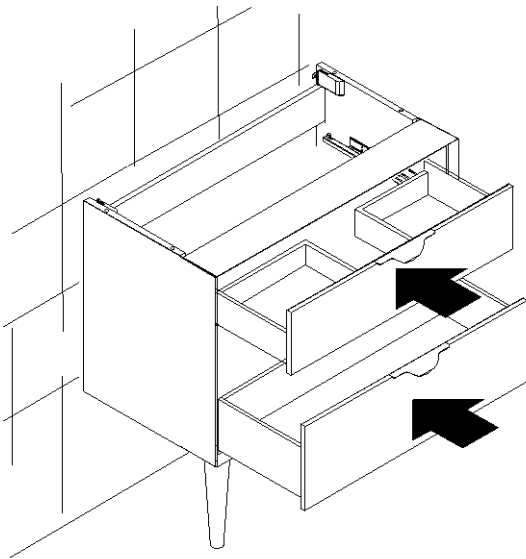
5



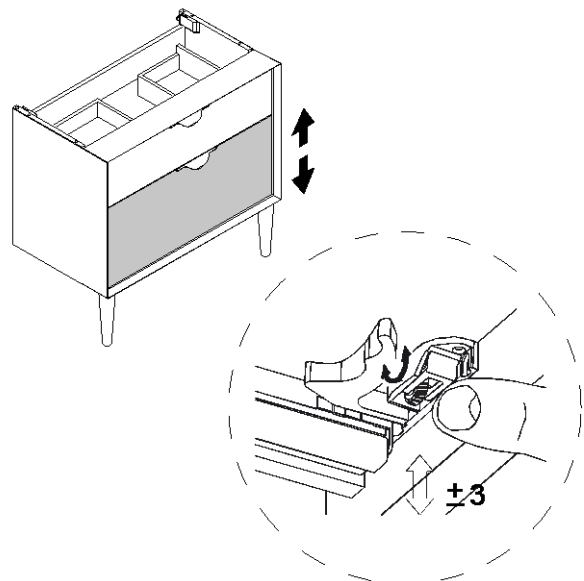
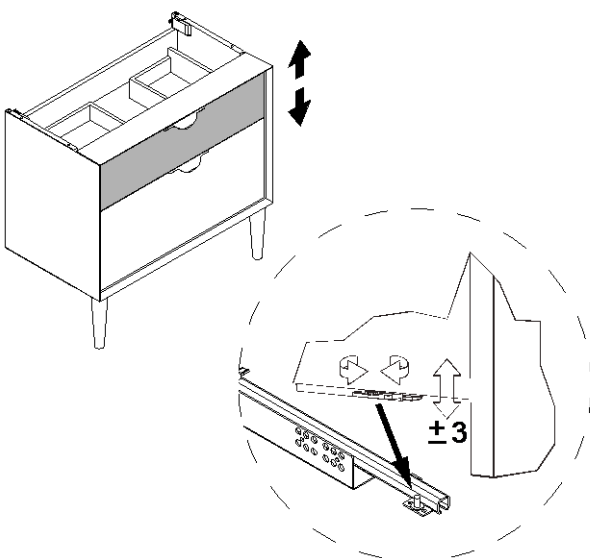
6



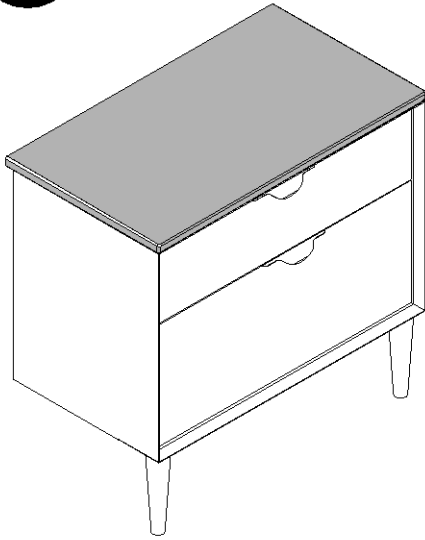
7



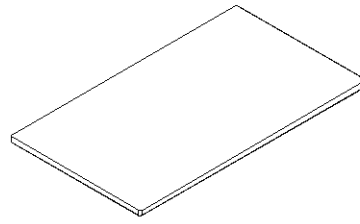
8



9.1



### PIECES REQUIRED



P05  
X1



H04  
X4



H05  
X2

### DIMENSIONS

**42000041090**

500 unit

Width: 515 mm

Depth: 452 mm

Height: 19mm

**42000041100**

600 unit

Width: 615 mm

Depth: 452 mm

Height: 19mm

**42000041110**

800 unit

Width: 815 mm

Depth: 452 mm

Height: 19 mm

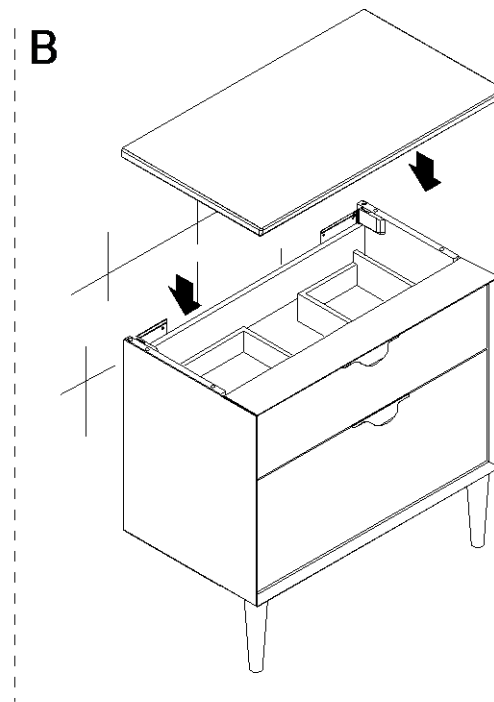
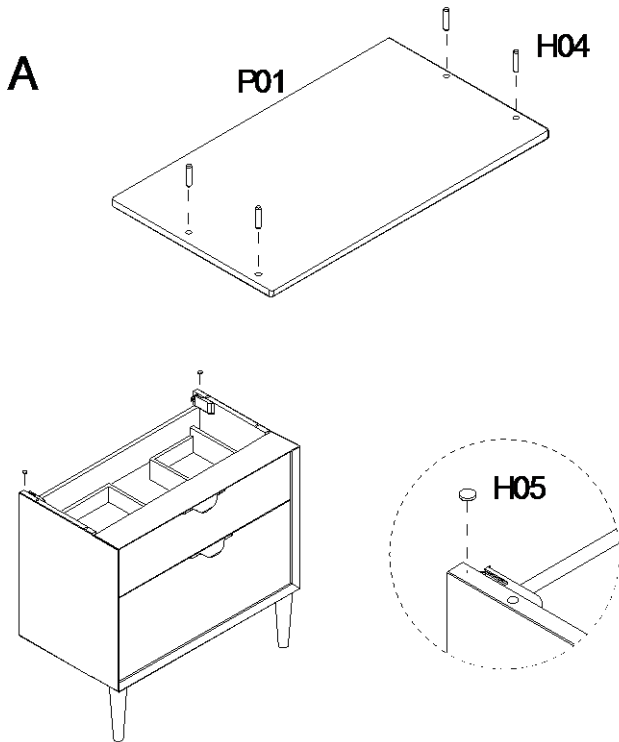
**42000041120**

1000 unit

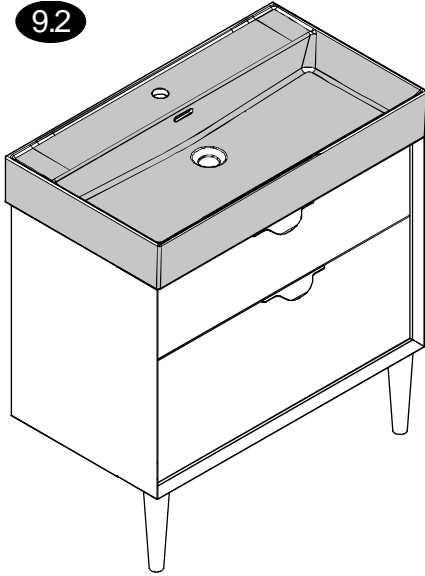
Width: 1015 mm

Depth: 452 mm

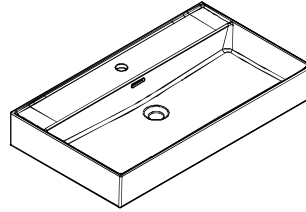
Height: 19 mm



9.2



PIECES REQUIRED



P06  
X1

DIMENSIONS

**41405002375**

600 unit

Width: 610 mm

Depth: 460 mm

Height: 120 mm

**41405002380**

800 unit

Width: 810 mm

Depth: 460 mm

Height: 120 mm

**41405002385**

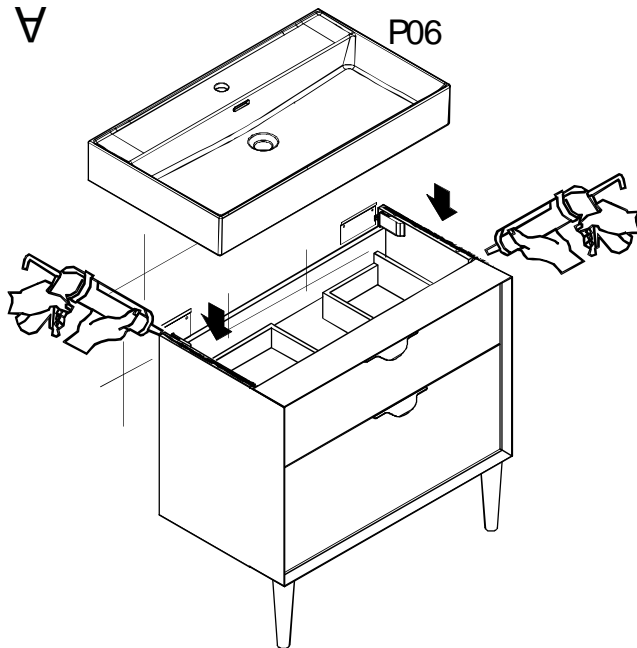
1000 unit

Width: 1010 mm

Depth: 460 mm

Height: 120 mm

A



B

