

BLACK

Click clack basin waste unslotted
MB66709CC

Photo to be inserted

INSTALLATION GUIDELINES

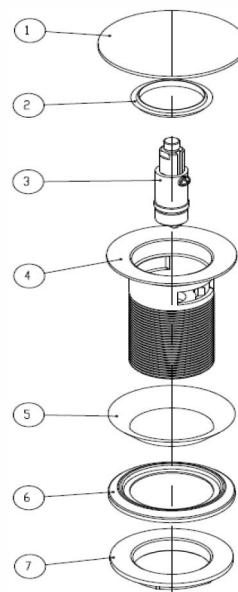
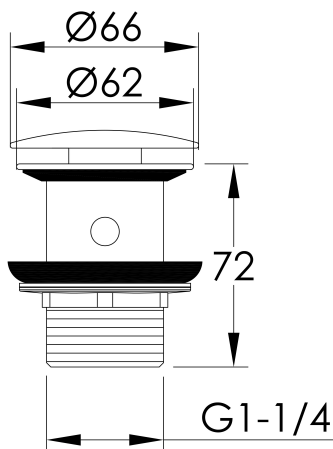
1. Installation should be carried out by a competent engineer, in accordance with water regulations.
2. This waste is designed to be fitted on a basin with an integral overflow.

CARE AND MAINTENANCE:

To maintain the appearance of this product, ensure that it is regularly cleaned only using a clean, soft damp cloth. A solution of warm water and a mild detergent may be used where necessary, and then the fitting rinsed thoroughly and wiped dry. Any other cleaning action will invalidate your warranty.

Abrasive cleaners, scouring cleaners and acidic cleaners **must not be used** under any circumstances. Avoid contact with all solvents (including chlorinated solvents, ketones or acetones as these may result in surface deterioration or etching). Also avoid contact with any harsh household chemicals such as oven cleaners, drain cleaners, rust removers, paint strippers and toilet bowl cleaners, bar keepers friend, brasso or similar products.

DIMENSION & LINE DRAWING



Please refer to part numbers when contacting
Bathstore.