

## 20007013014 - Metro thermostatic Touch Safe mixer two outlet

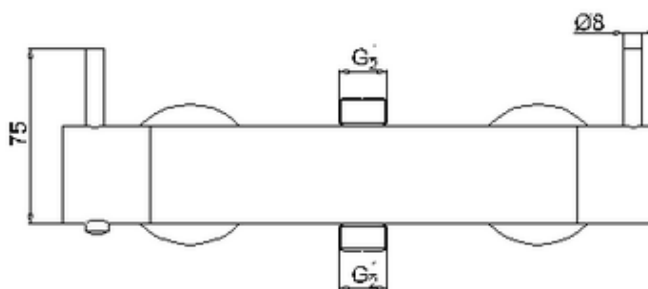
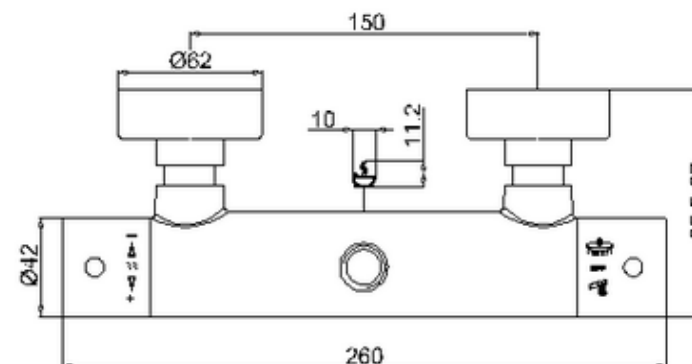
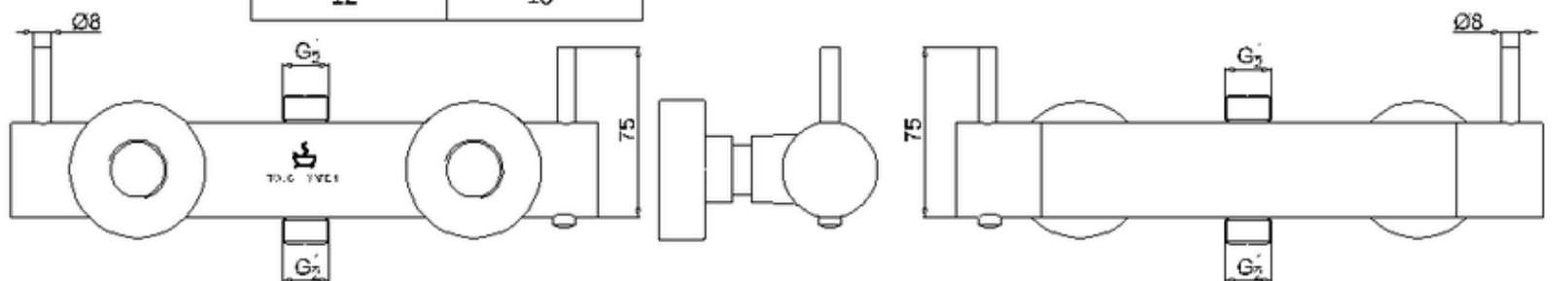
### Note:

For the each part, the dimension tolerance should be followed the list below.

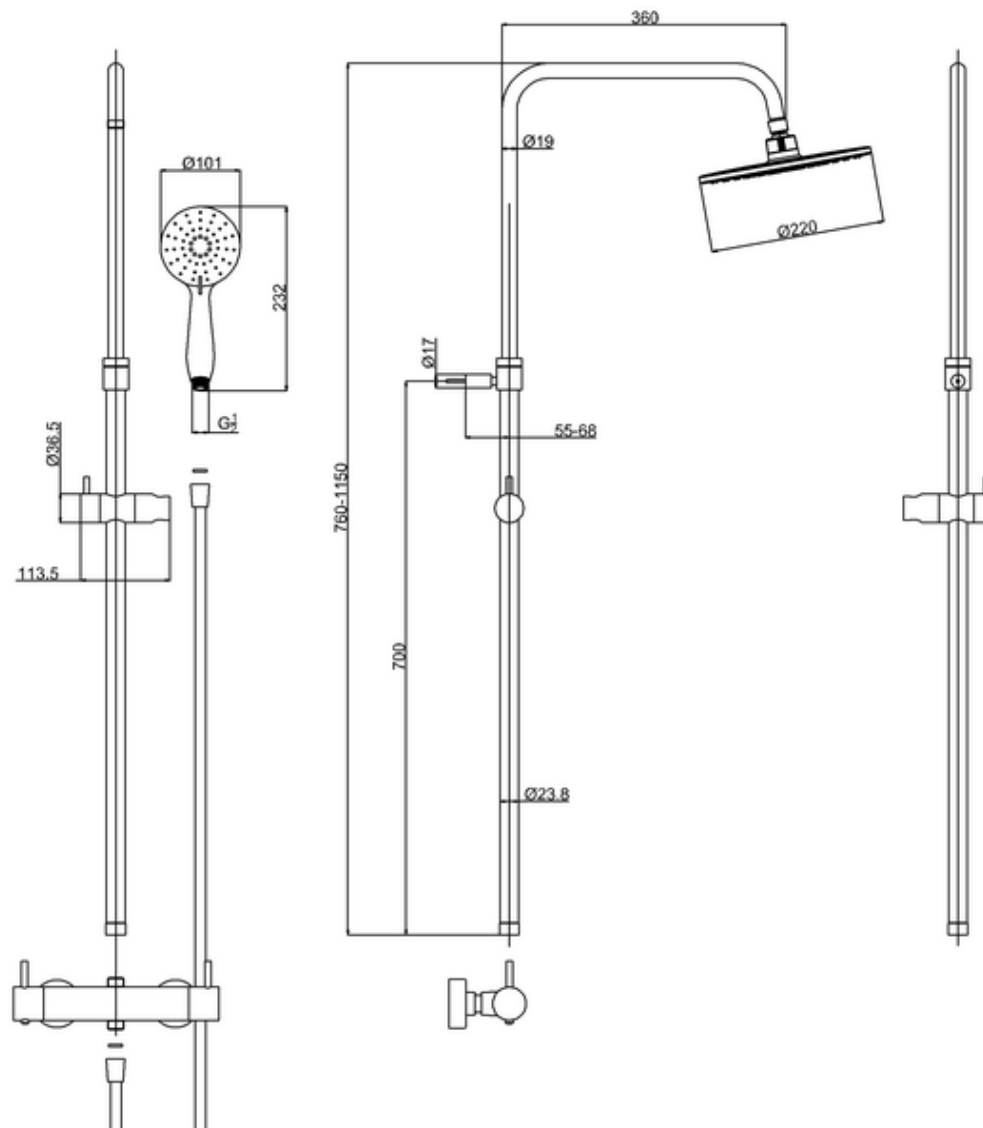
0 ~ 100	101 ~ 200	201 ~ 400	c401
±1	±2	±3	±5

For the finished assembly, the dimension tolerance should be followed the list below.

0 ~ 300	c301
±2	±5



## 20007015100 - Metro riser, fixed head and handset



**TECHNICAL DATA SHEET**

20007015100 - Metro riser, fixed head and handset

**Product Specification**
**Product Code** 8016AB RISER 20007015100

**Dimensions (mm)** 750 x 360 x 68

**Net Weight (kg)** 1.96

**Gross Weight (kg)** 3.79

**Chrome plating conforms to EN817 and EN200** EN817

**Finishes** CHROME

**Inlet connections** G1/2

**Main material** S.S.

**Product type** SHOWER

**Salt spray test result** NSS200

**Secondary material** ABS

**Supply suitable for all plumbing systems** YES


*This photograph illustrates the product design and is not necessarily the finish described in the text.*

	<b>0.5bar</b>	<b>1bar</b>	<b>2bar</b>	<b>3bar</b>	<b>4bar</b>	<b>5bar</b>
handset	1.79	3.49	6.04	7.8	9.56	10.92
shower head	3.25	5.96	9.48	12.32	14.75	16.79

