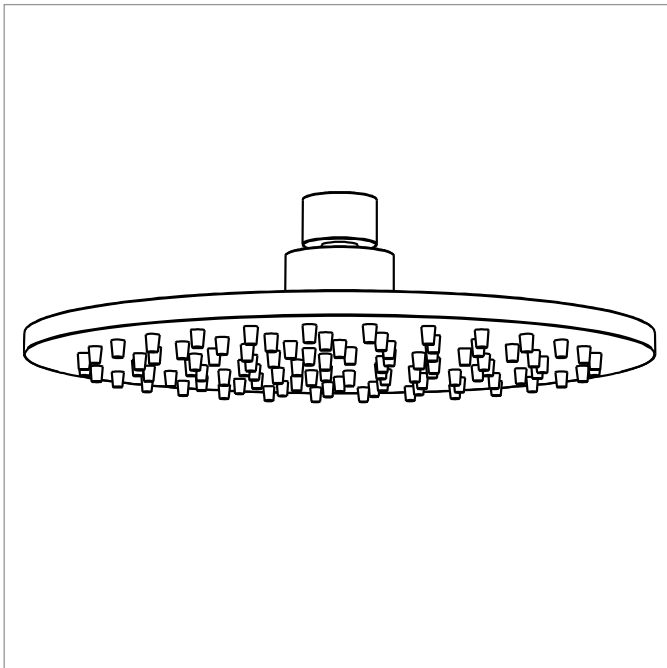


Transition 200 round head

44400023729



DIMENSIONS:

Width: 200mm

Depth: 200mm

Height: 53mm

IMPORTANT:

All parts should be removed from their packaging and inspected for any transport damage and completeness prior to installation; you should read these instructions throughout before commencing installation.

We do not accept responsibility for problems that may occur through improper installation. Always ensure you have sufficient hot and cold water pressure available to allow correct function before specifying or installing this product.

We strongly recommend installing particle filters and isolation valves to both the hot and cold feed pipes in an accessible position. This will help to prevent premature failure of the valves and ease any future maintenance.

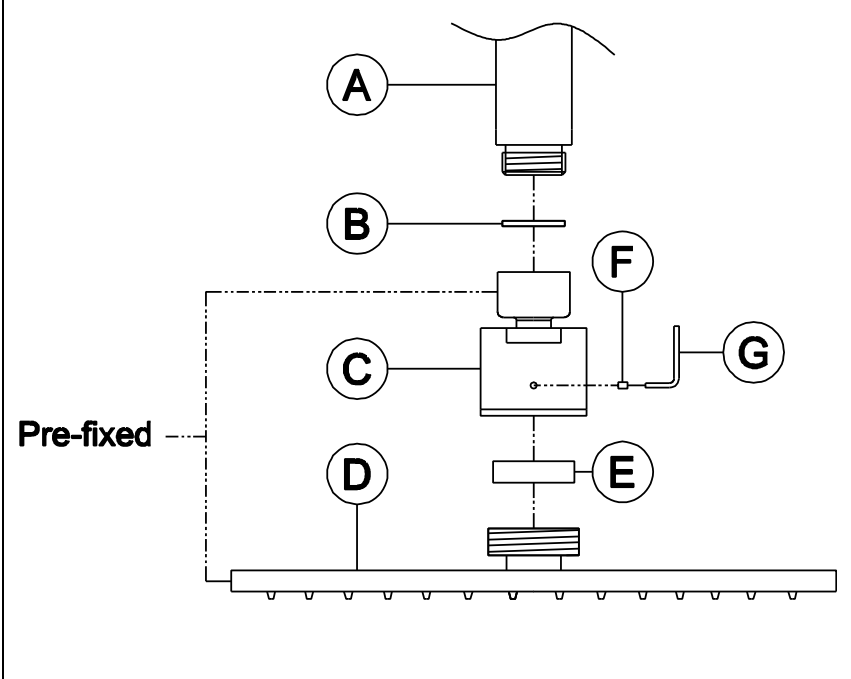
Shut off your water heating system and ensure that your mains stopcock is closed. Ensure both the hot and cold water supplies are isolated before commencing installation.

CARE AND MAINTENANCE:

To maintain the appearance of this product, ensure that it is regularly cleaned only using a clean, soft damp cloth. A solution of warm water and a mild liquid detergent may be used where necessary, and then the fitting rinsed thoroughly and wiped dry. Any other cleaning action or cleaning products will invalidate your warranty.

Abrasive cleaners, scouring cleaners, limescale cleaners and acidic cleaners must not be used under any circumstances. Avoid contact with all solvents (including chlorinated solvents, ketones or acetones as these may result in surface deterioration or etching). Also avoid contact with any harsh household chemicals such as bleach cleaners, drain cleaners, rust removers, paint strippers and toilet bowl cleaners, toothpaste, mouthwash, bar keepers friend or Brasso.

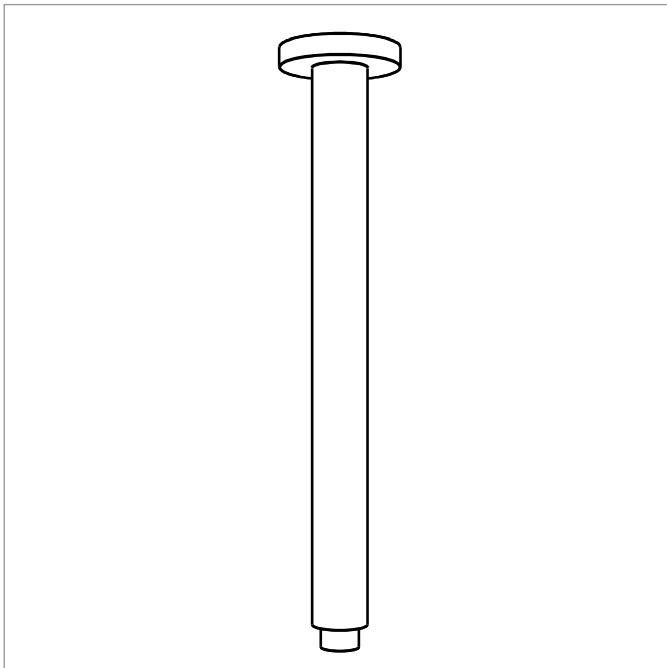
The showerheads come with 'rub clean' nozzles to reduce any limescale build up. Limescale can be easily rubbed from the showerhead nozzles which should be done periodically.

	Key	Description	Qty.
	A	Shower arm / Wall outlet	0
	B	½" Mesh filter (recommended) or ½" washer	1
	C	Locking snodo	1
	D	Showerhead	1
	E	Lower seal	1
	F	Grub screw	1
	G	Allen key (size 1.5)	1

1. Flush through the system thoroughly before attaching the showerhead.
2. Loosely assemble the product as per the exploded drawing, note some parts may be supplied pre-assembled. Do not disassemble any assemblies unless required to complete installation.
3. Attach any mounting fixings as indicated; secure the product firmly to the mounting surface.
4. Connect any inlet connections to the supply pipes if not already done.

Transition 300 ceiling arm

44400023728



DIMENSIONS:

Width: 65mm
Depth: 65mm
Height: 305mm

IMPORTANT:

All parts should be removed from their packaging and inspected for any transport damage and completeness prior to installation; you should read these instructions throughout before commencing installation.

We do not accept responsibility for problems that may occur through improper installation. Always ensure you have sufficient hot and cold water pressure available to allow correct function before specifying or installing this product.

We strongly recommend installing particle filters and isolation valves to both the hot and cold feed pipes in an accessible position. This will help to prevent premature failure of the valves and ease any future maintenance.

Shut off your water heating system and ensure that your mains stopcock is closed. Ensure both the hot and cold water supplies are isolated before commencing installation.

CARE AND MAINTENANCE:

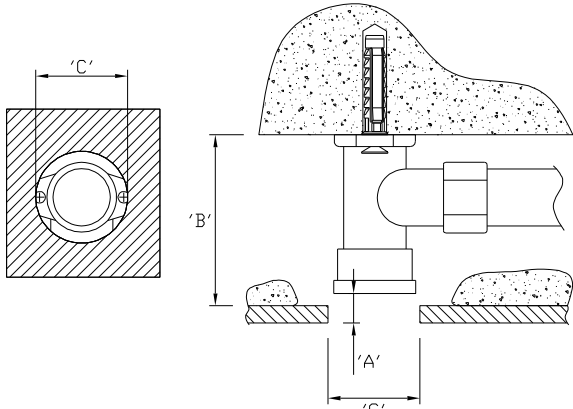
To maintain the appearance of this product, ensure that it is regularly cleaned only using a clean, soft damp cloth. A solution of warm water and a mild liquid detergent may be used where necessary, and then the fitting rinsed thoroughly and wiped dry. Any other cleaning action or cleaning products will invalidate your warranty.

Abrasive cleaners, scouring cleaners, limescale cleaners and acidic cleaners must not be used under any circumstances. Avoid contact with all solvents (including chlorinated solvents, ketones or acetones as these may result in surface deterioration or etching). Also avoid contact with any harsh household chemicals such as bleach cleaners, drain cleaners, rust removers, paint strippers and toilet bowl cleaners, toothpaste, mouthwash, bar keepers friend or Brasso.

Key	Description	Qty.
B	Back plate	1
C	½" Female 90° backplate elbow	0
D	½" F x M union extension (optional depending on ceiling depth)	0
E	Finished ceiling surface	n/a
F	Rigid inlet pipe from shower control	0
G	Wall fixings	0

1. Open the ceiling out to the required width and depth for supply pipes (F) and elbow (C).

You should ensure that both the product and required fittings will fit into the depth and area of the mounting surface available before installation. Roughly assemble the product and plumbing connections (example ½" union (D) to establish the required sizes 'A-C'. depending on the depth of your ceiling and the size of elbow (C) you may need to additionally source union (D) to extend the effective length of the connection.

	'A'	Distance from finished surface to fixed connector
	'B'	Cavity depth for supply pipes and fixings
	'C'	Finished hole diameter

- Fix elbow (C) **securely** to the ceiling using appropriate fixings (G). Note these fixings should be secure enough to support the attached product weight (A) safely during use without sagging.
- If required firmly screw the union (D) into the elbow (E), you must use PTFE tape to make a seal, the connection must end at the correct projection once the surrounding area is a finished surface.
- Make good the finished surface (E) using plaster tiles or similar, now prepare hole 'D' in the surface. Ensure back plate (B) will cover the finished hole diameter 'C'.
- Push the back plate (B) over the shower arm (A).
- Screw the shower arm (A) into the elbow (C) or ½" Union (D). You must use PTFE tape or sealing compound to ensure a water tight connection and ensure the shower arm faces downwards correctly. Test the water tightness of all inlet pipes and connections before progressing with the installation by blocking the ½" end of the shower arm and the shower switched on.
- Watchfully seal around the finished ceiling surface (E) and back plate (B) if applicable to prevent moisture ingress into the ceiling.
- Whilst holding the shower arm screw the showerhead firmly onto the shower arm, ensure the meshed ½" rubber seal is present in the connection between the arm and the showerhead