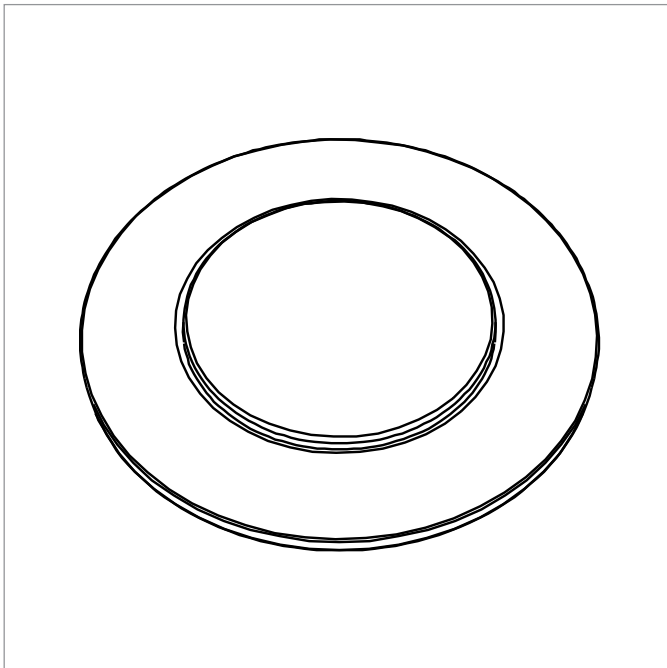


Transition bath waste

44400023735



DIMENSIONS:

Width: 70mm

Depth: 70mm

Height: 37mm

IMPORTANT:

All parts should be removed from their packaging and inspected for any transport damage and completeness prior to installation; you should read these instructions throughout before commencing installation.

We do not accept responsibility for problems that may occur through improper installation. Always ensure you have sufficient hot and cold water pressure available to allow correct function before specifying or installing this product.

We strongly recommend installing particle filters and isolation valves to both the hot and cold feed pipes in an accessible position. This will help to prevent premature failure of the valves and ease any future maintenance.

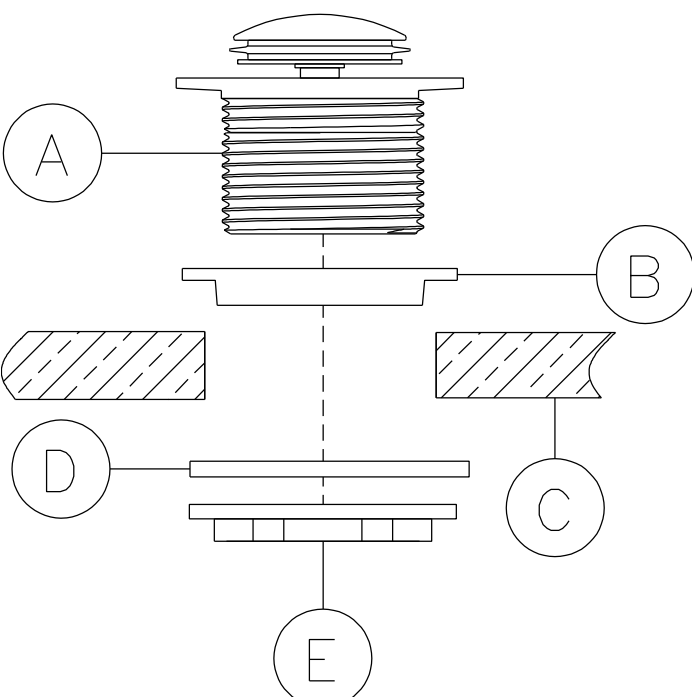
Shut off your water heating system and ensure that your mains stopcock is closed. Ensure both the hot and cold water supplies are isolated before commencing installation.

CARE AND MAINTENANCE:

To maintain the appearance of this product, ensure that it is regularly cleaned only using a clean, soft damp cloth. A solution of warm water and a mild liquid detergent may be used where necessary, and then the fitting rinsed thoroughly and wiped dry. Any other cleaning action or cleaning products will invalidate your warranty.

Abrasive cleaners, scouring cleaners, limescale cleaners and acidic cleaners must not be used under any circumstances. Avoid contact with all solvents (including chlorinated solvents, ketones or acetones as these may result in surface deterioration or etching). Also avoid contact with any harsh household chemicals such as bleach cleaners, drain cleaners, rust removers, paint strippers and toilet bowl cleaners, toothpaste, mouthwash, bar keepers friend or Brasso.

Key	Description	Qty
A	Bath waste	1
B	Upper seal	1
C	Bath	0
D	Lower seal	1
E	Fixing nut	1

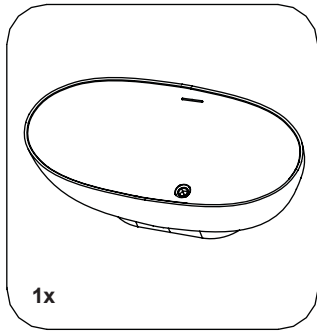


1. Place bath waste (A) and upper seal (B) centrally through bath hole (C) as shown. Note orientation of upper seal (B).
2. Pass lower seal (D) over the bottom threaded end of bath waste (A) so that it is flush with bottom of bath (C).
3. Screw fixing nut (E) to bottom threaded end of bath waste (A) securely so that it is flush with bottom of lower seal (D) and bath (C).

Note: If upper or lower bath surfaces are uneven, Silicone sealant may need to be used on seals (B & D).

4. Connect the bath waste (A) to the inlet pipework using the relevant 1 ½" BSP connector.

Parts Supplied:



Important

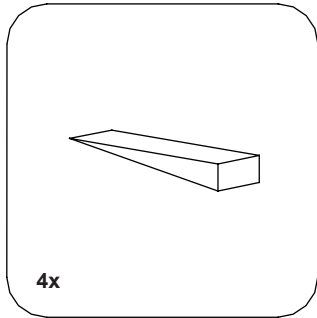
- Please unwrap the bath and check it carefully to ensure it has not been damaged in handling or transport.
 - Please check that all parts have been supplied.
 - Store the bath in a safe place until you begin installation to avoid damage.
 - Assemble bath on a mat to protect against damage to bath surface.
 - No claims for damages or blemishes will be accepted once the bath has been installed.
 - We recommend that you do not remove your old bath until you have unpacked and inspected the new one.
- Please contact your local store if you have any concerns.

- Any installation should be carried out by a qualified tradesman with knowledge of statutory plumbing requirements in your area.
- This product requires a two person lift – use proper lifting techniques.

• Over tightening the waste can cause damage to the bath around the internal overflow. A watertight seal can be achieved without causing this stress.

- The entire base of the bath must be fully supported by the floor to prevent the bath becoming damaged through stress. To achieve this please ensure that the floor is completely flat.
- Please do not drag the Landmark on the floor as there are two fitted feet underneath the bath. Make sure the floor is level before installing. The height of the foot can be adjusted if necessary.

Parts Required:



Care and Maintenance

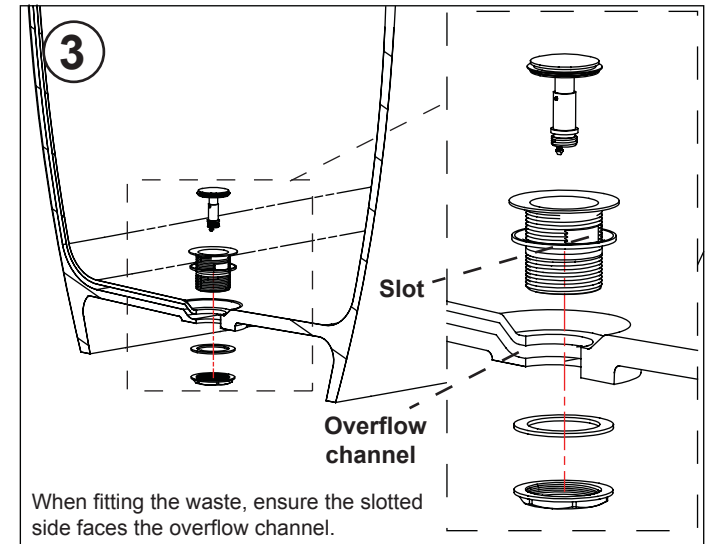
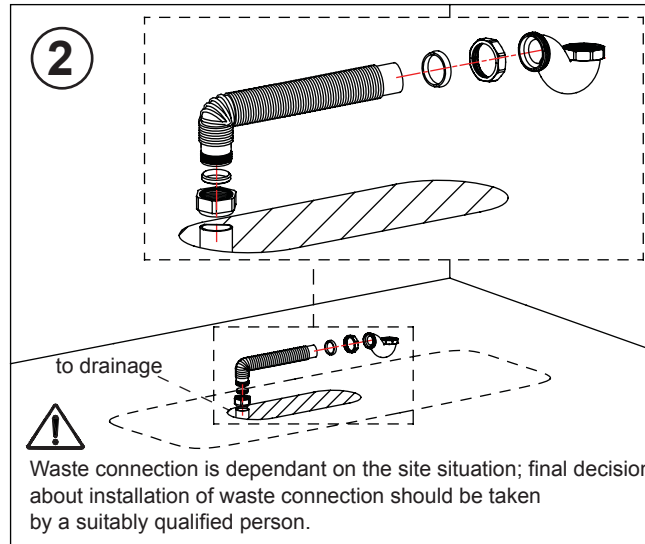
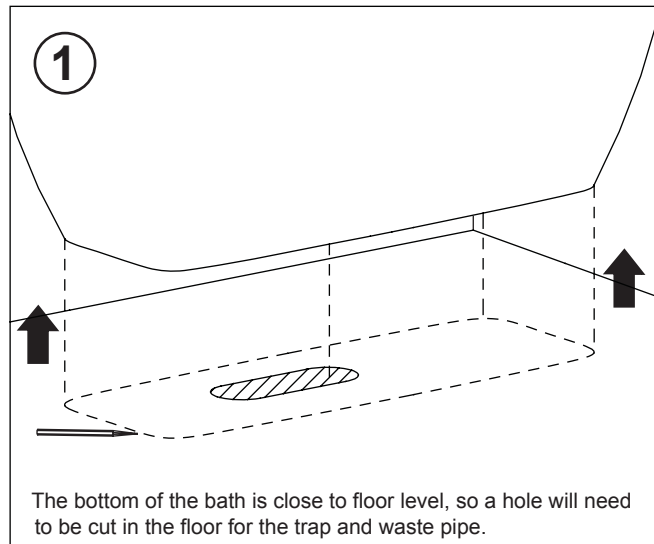
Repairing a scratch: If any scratches occur during installation these can be removed by rubbing with a 1500+ grit waterproof abrasive paper and water. Re-polish the surface afterwards using a neutral automotive colour restorer or household metal polish. For best results limit sanding to the smallest possible area around the scratch. It may be possible to polish very fine scratches away without using abrasive papers: scrubbing gently with a soft brush or plastic pad (not metal scouring pad) and a mildly abrasive cream cleaner. Afterwards scrub the whole area with plenty of clean water and re-polish as before.

Everyday cleaning

We recommend a non-abrasive bathroom cleaner.

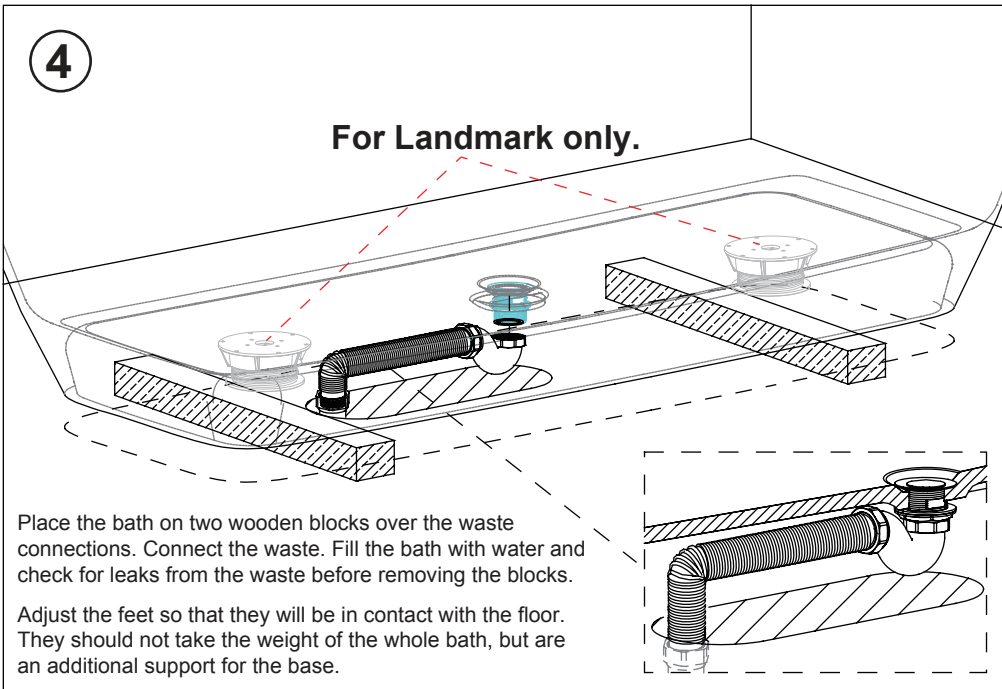
Warning

Never use cleaners / bleach products specifically manufactured for WC bowl cleaning as they may damage your bath. Hair dye can stain the surface of the bath. We recommend that dye is not applied in, or over, the bath. Nail varnish can rub off on to the surface and is difficult to remove.



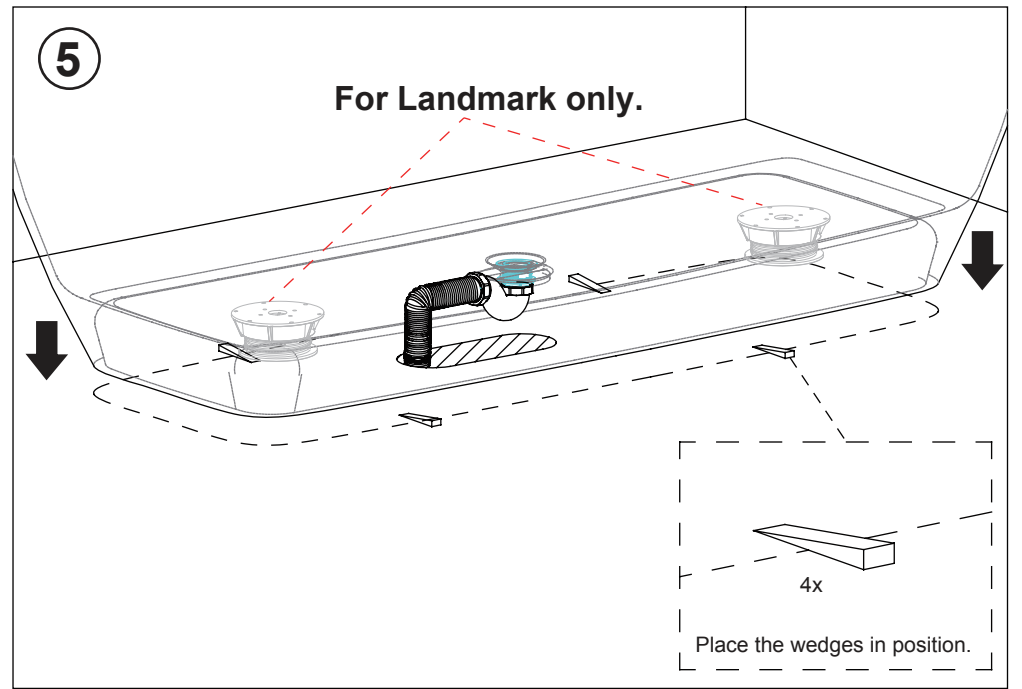
4

For Landmark only.

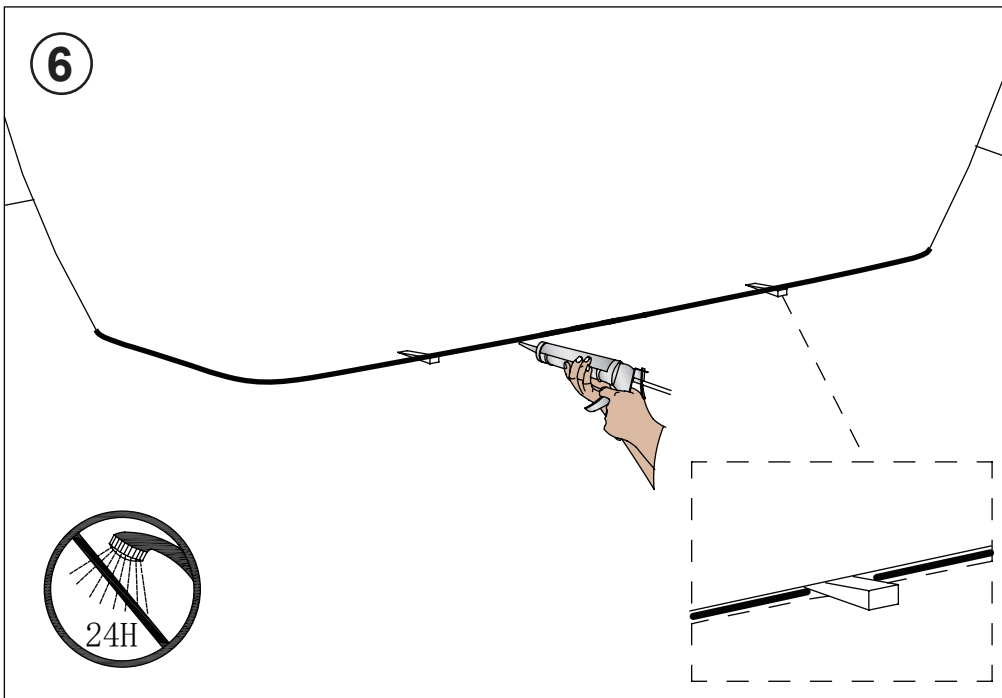


5

For Landmark only.



6



7

