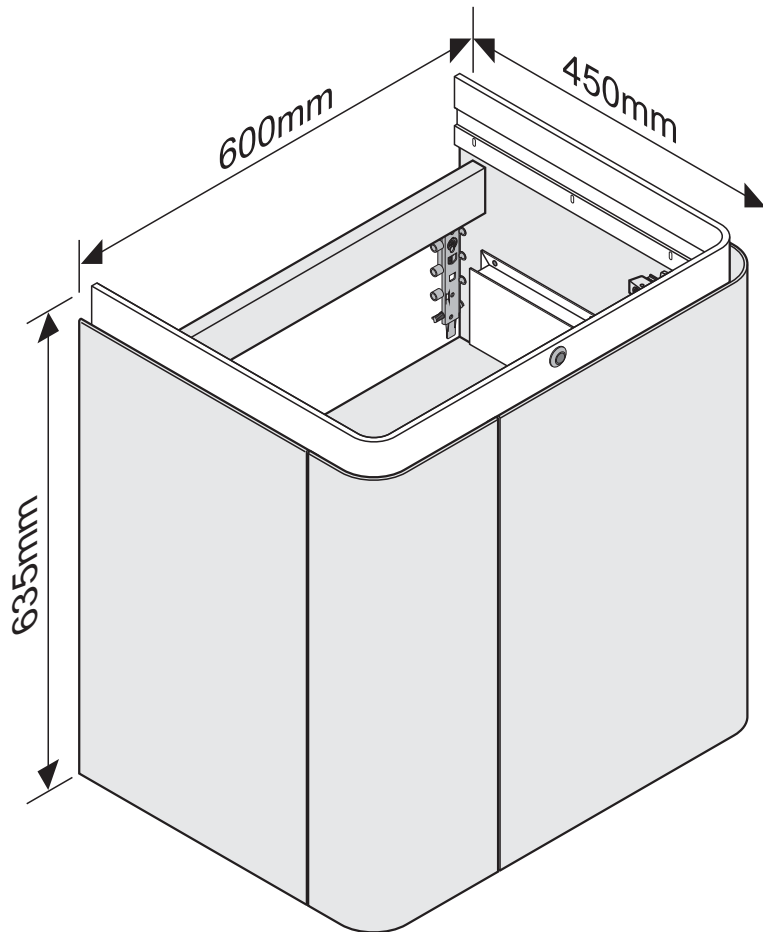


20050030700- Waterfront 600mm Unit White Gloss
20050030710- Waterfront 600mm Unit Blue Gloss
20050030720- Waterfront 600mm Unit Grey Gloss



- **Important:** These wall-hung vanity units and basins must be securely fixed to a suitably strong wall. It may be necessary to reinforce the wall at the fixing points. The fixing method used to secure the unit to the wall must be suitable for the wall construction.
- **Care and Maintenance:** Please leave this leaflet with the householder. This furniture is made of wood and has a water resistant finish. It should not be left wet and the quality of the finish is best maintained if it is wiped with a dry cloth after use. It should only be cleaned using a soft damp cloth followed by a dry cloth. Do not use bleach or any abrasive cleaner.

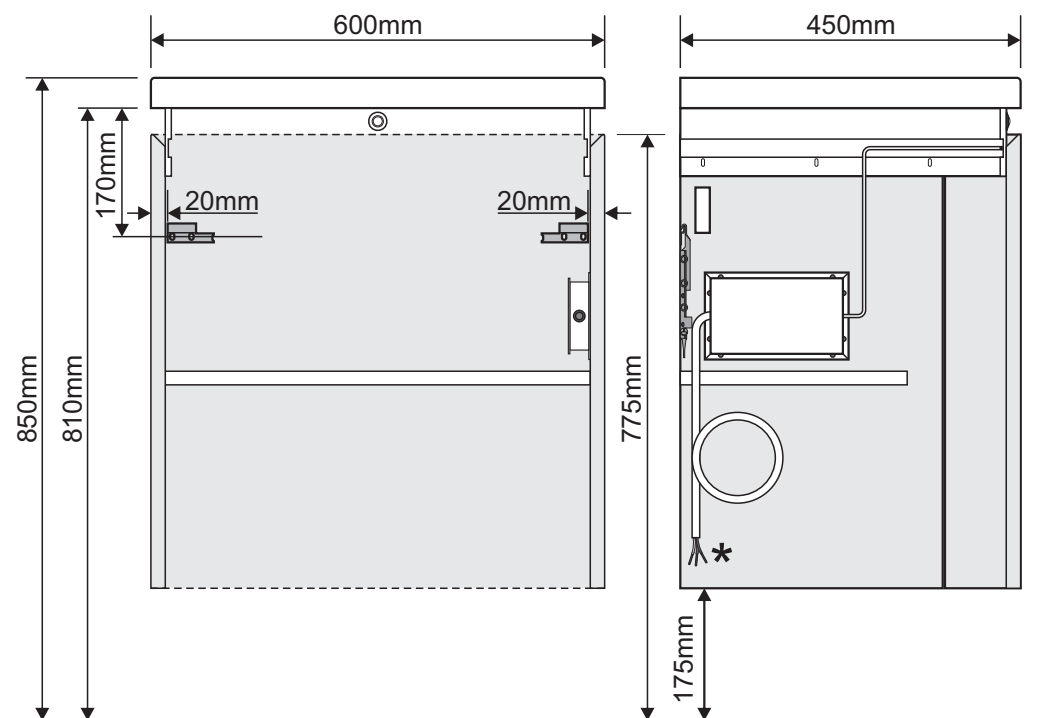
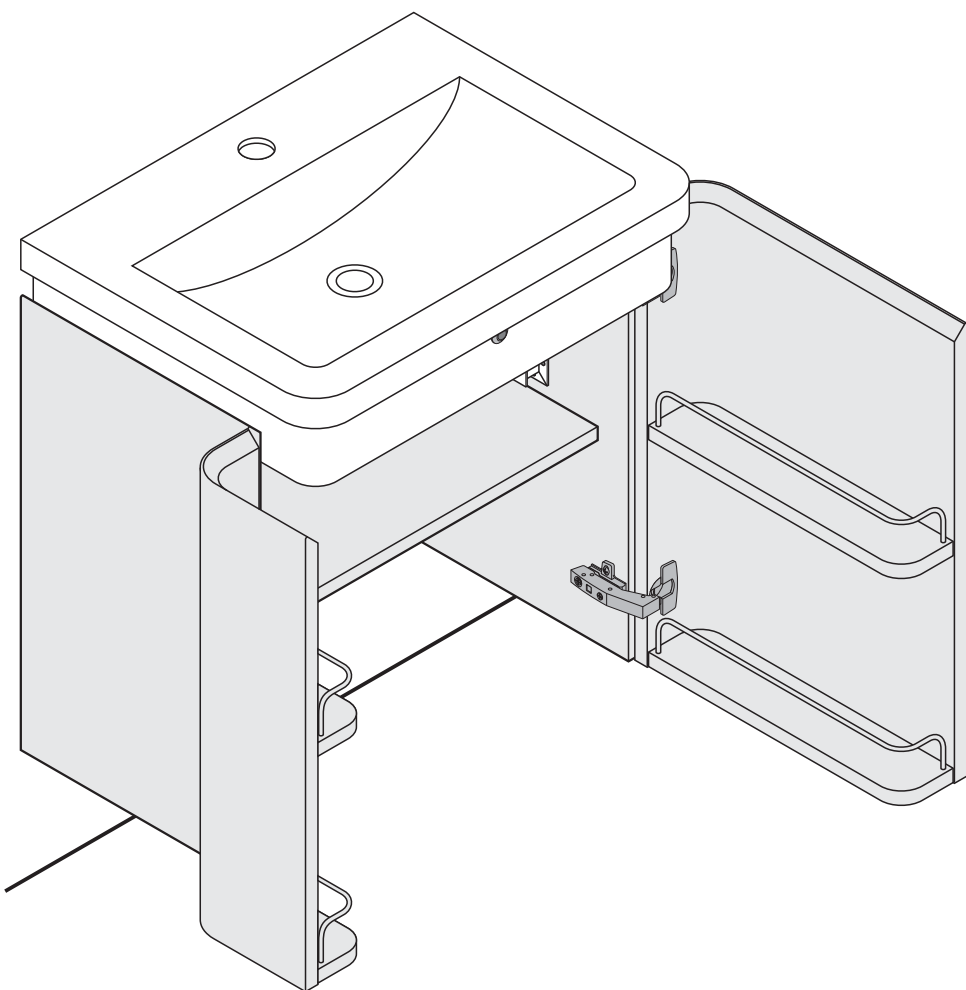


Safety Information

- **Important:** These units must be installed by a suitably qualified person who is a recognised member of a competent person scheme. Electrical installation should be carried out by a qualified electrician.
- The installer must ensure that the wall construction will support the unit while it is being used and use suitable fittings for securing the unit to the wall.
- Please follow instructions supplied with the lighting strip for electrical connections.
- Wear suitable eye protection when drilling. Be careful when using power tools near water.
- This product conforms to UK safety standards and must be installed in accordance with current IEE wiring regulations and building regulations (Part P).
- This is a Class 1 product and requires an earth connection. It should not be connected to an unearthed circuit.
- Ensure that connections are turned off at the consumer unit or fuse board before installing or carrying out any maintenance.
- This product is for indoor use only.
- This product is IP44 rated and can be installed in the Zone 2 (as defined by the IEE wiring regulations) and beyond.



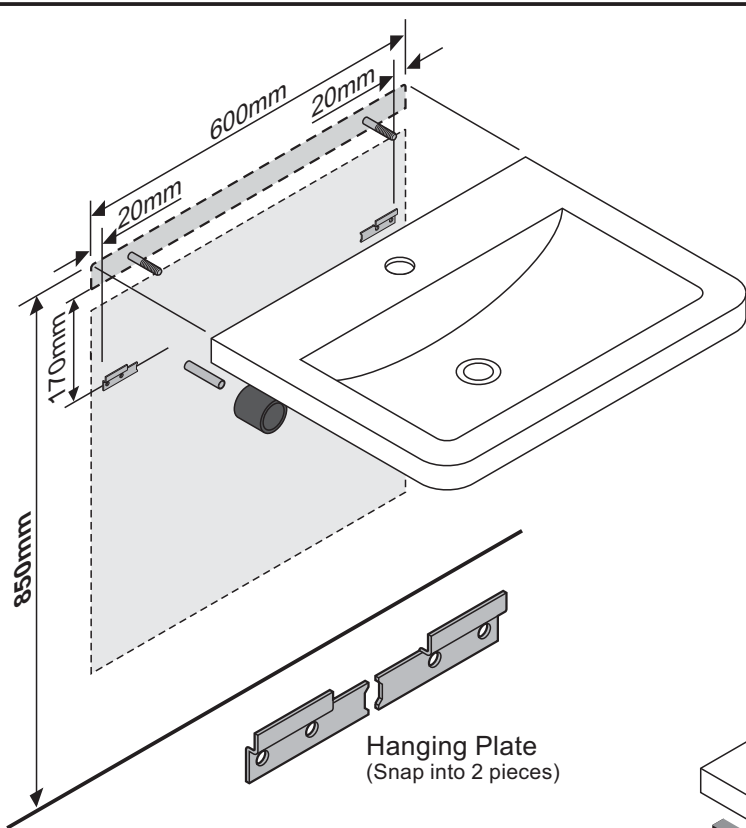
Waste Electrical & Electronic Equipment Regulations (WEEE) requires that any of our products showing this mark (left) must not be disposed of with other household or commercial waste. Bathstore does not levy any WEEE disposal charges to its customers for affected WEEE related products. To prevent possible harm to the environment or human health from uncontrolled waste disposal, please separate any such product from other waste types and recycle it responsibly at your local facilities. Check with your Local Authority, Recycling Centre or retailer for recycling advice.



*** Important:**

Ensure that connections are turned off at the supply before installing or carrying out any maintenance. This is a Class 1 product and requires an earth connection. It should not be connected to an unearthed circuit.

This product must be installed in accordance with the latest IEE regulations.



Step 1

Note the instructions on the front page.

Hang the basin on the wall.

We recommend that the top lip of the basin is 850mm above the floor for a sitting user.

Ensure the shelf will clear the pipework. It may be necessary to cut the shelf. If the shelf is cut, seal exposed edges to prevent water damage.

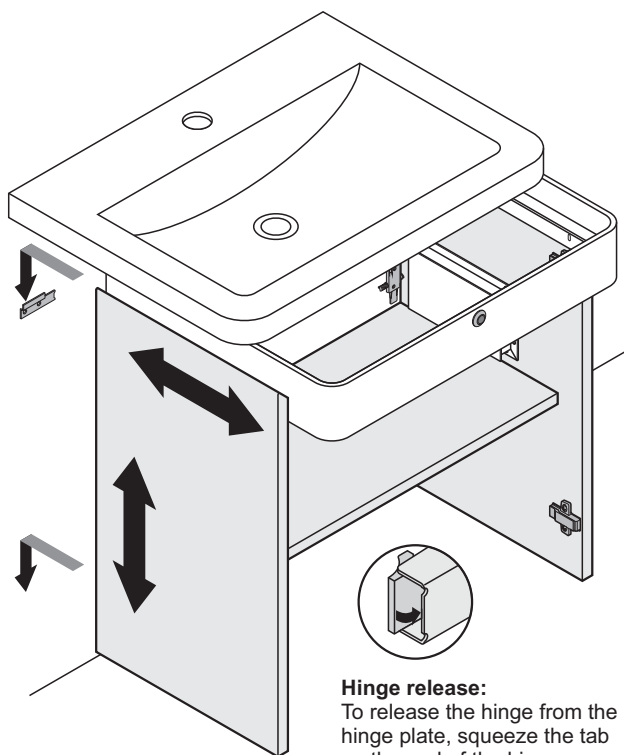
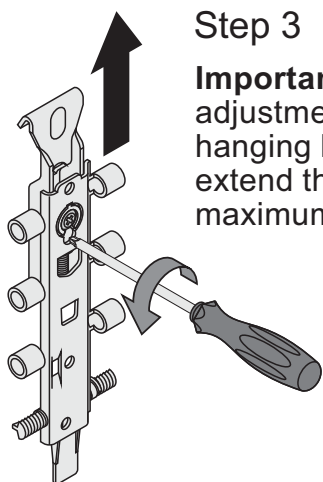
Step 2

Snap the hanging plate into two pieces. Fix the hanging plates to the wall in the positions shown. They must be securely installed with appropriate fixings (not supplied).

Hanging Plate
(Snap into 2 pieces)

Step 3

Important: Turn the lower adjustment screw on both hanging brackets to extend the hook to its maximum position.



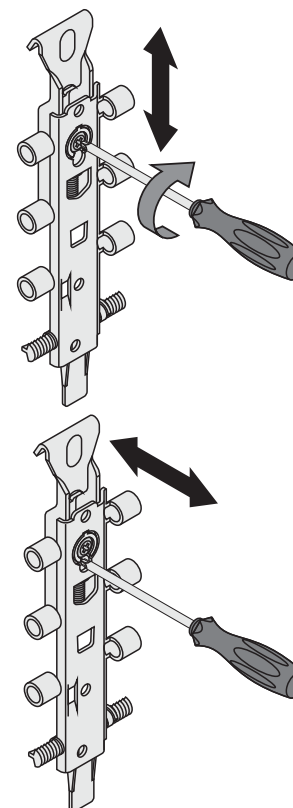
Hinge release:
To release the hinge from the hinge plate, squeeze the tab on the end of the hinge.

Step 4

Remove the doors to make the unit lighter.

Hook the unit onto the wall brackets. Turn the lower adjustment screw on both hanging brackets to lift the unit firmly under the basin.

Note: The lighting strip is designed to fit under the lip of the basin so that the top edge is hidden behind the lip.

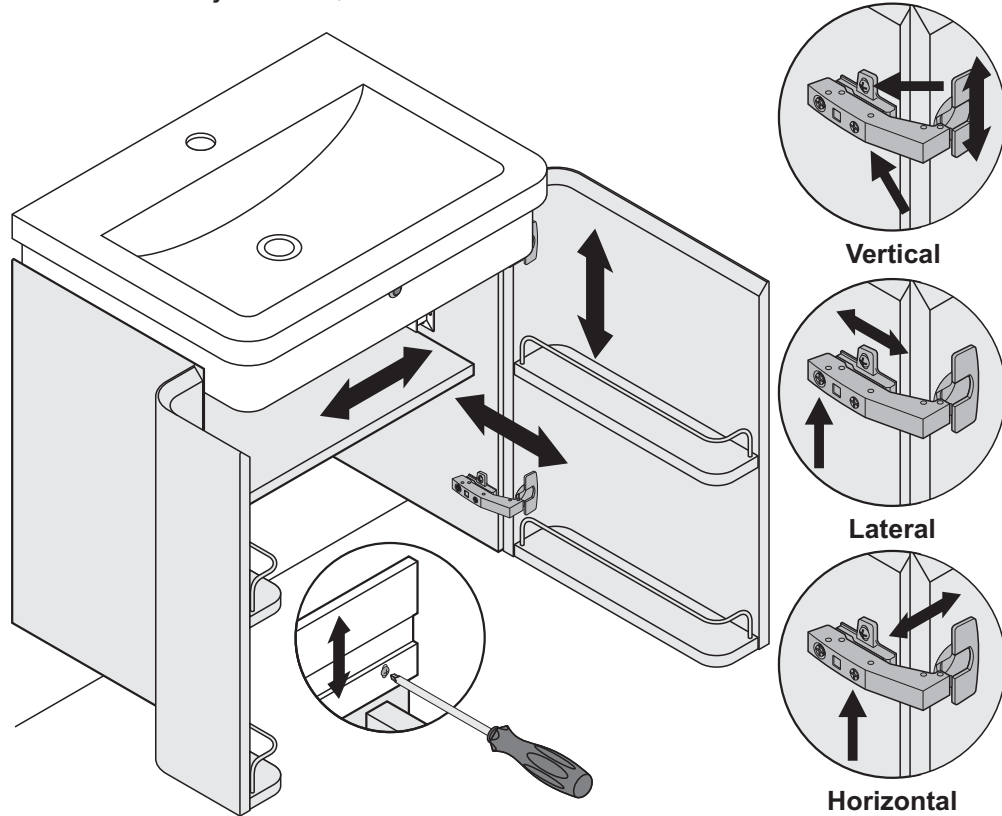


Step 5

Door Adjustment:

The doors may need adjustment to fit correctly.

For vertical adjustment, both screws need to be slackened.



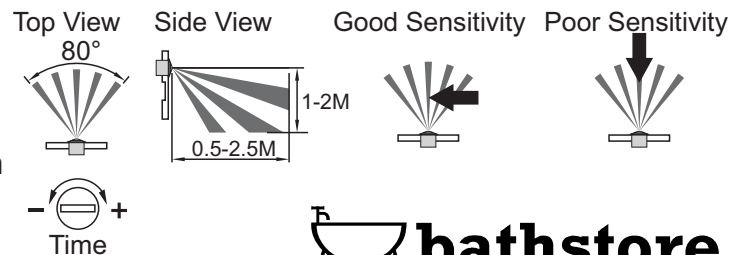
Lighting Plinth Adjustment:

The lighting strip may also need adjustment to fit correctly.

For adjustment, the screws securing the plinth need to be slackened. Retightened after adjustment.

Motion Detector Adjustment:

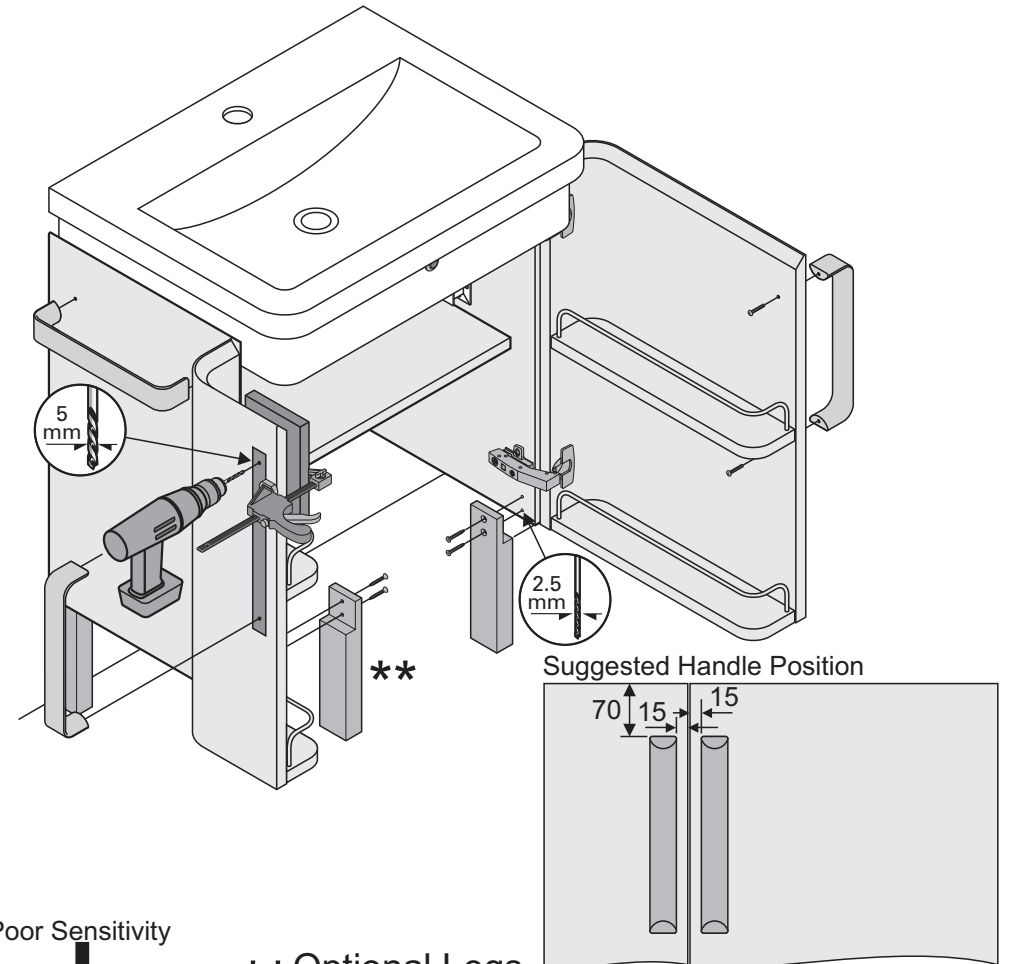
Note the positions for best operation. The time delay is set for 1 minute. If adjustment is necessary, remove the cover from the power supply and turn the dial with a screwdriver to change the setting.



Optional Handles & Towel Rails

Measure the distance between the bolt holes on the handles and mark these positions before drilling holes in the doors. Drill through where required with a 5mm drill bit.

Apply masking tape on the face of panels and hold a piece of wood behind to help avoid breakout when drilling.



**Optional Legs

The legs are fitted from **inside** the unit and positioned 1mm back from the front edge of the side panels. Start the screw holes with a 2.5mm drill bit and 10mm deep. Do **not** drill through the side panels.