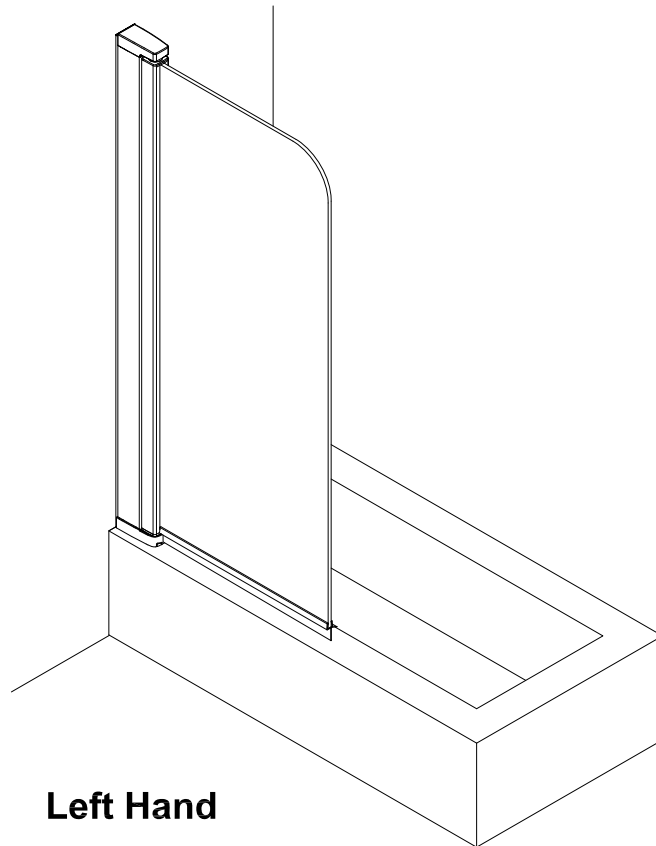
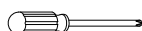
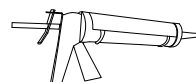
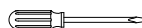
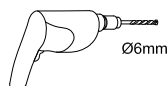


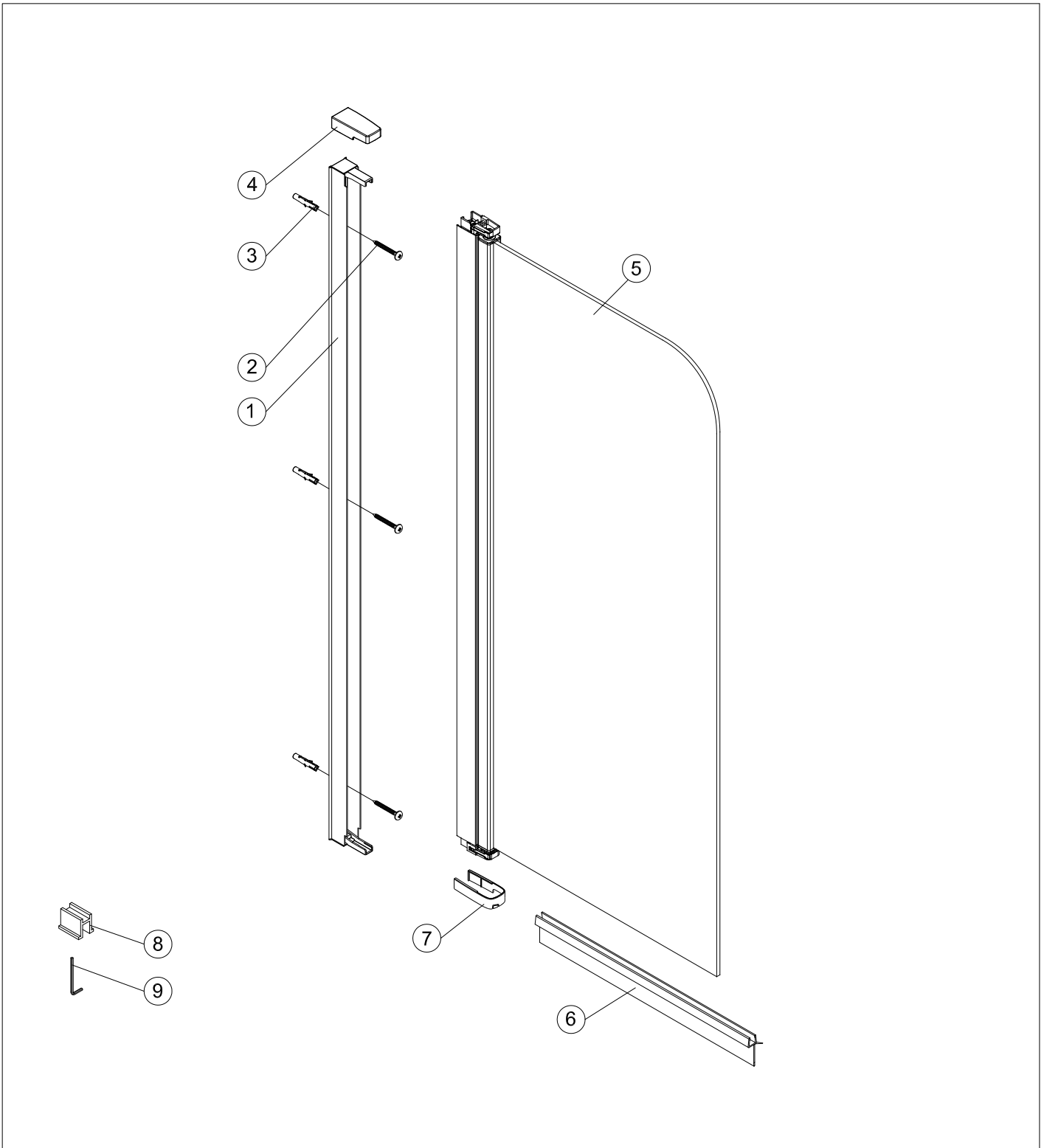
ATLANTES 750 MIRRORED BATH SCREEN LH CLEAN PLUS Installation Instructions

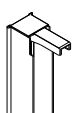


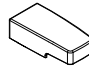
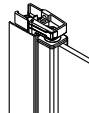


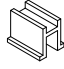



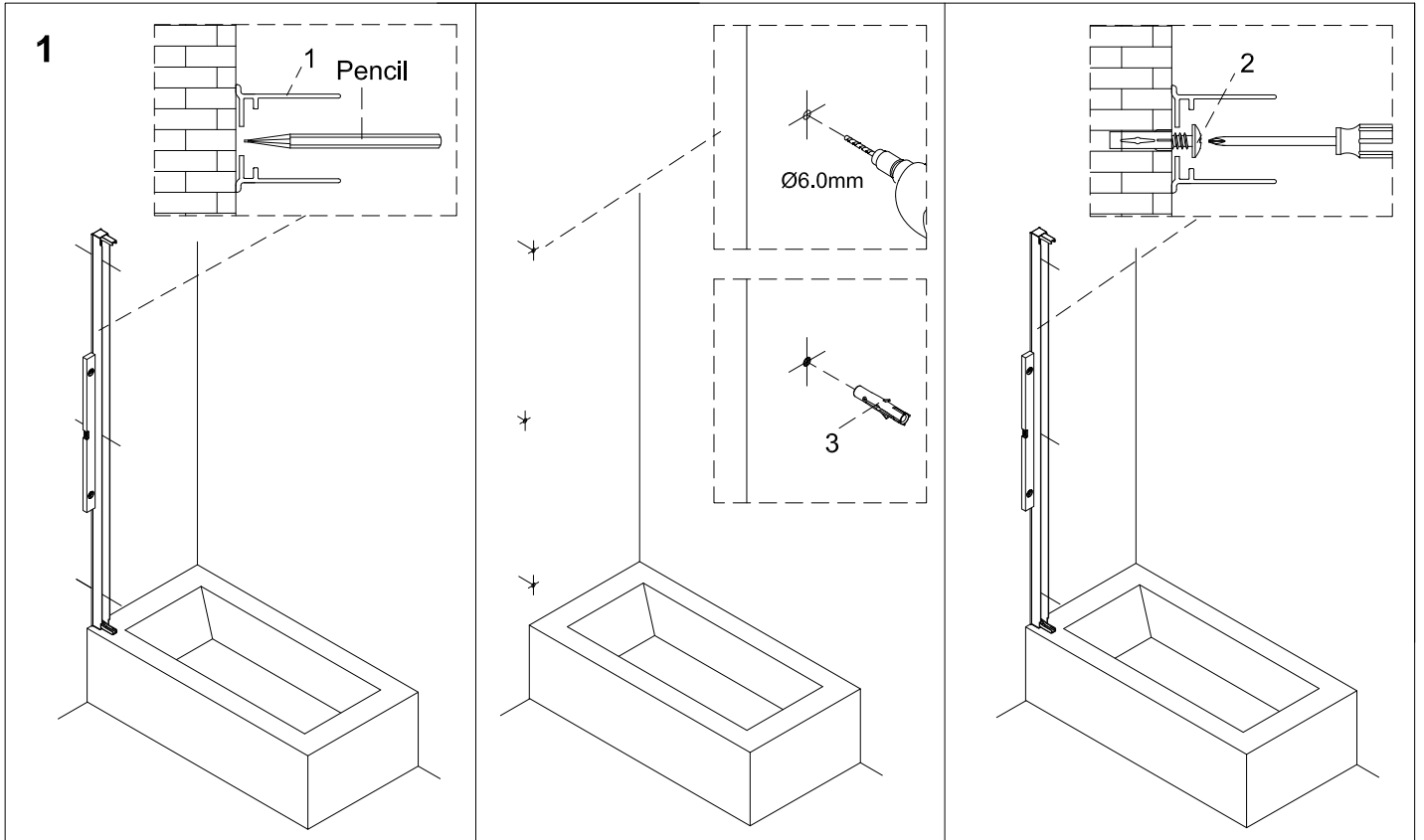
- Prior to installation check that all fittings have been supplied.
- The bath should be installed by a competent person. The bath should be level, the walls should be tiled down to the bath, and the horizontal joint between the tiles and bath must be sealed with silicone sealant to ensure water-tightness.
- Handle with care. Impacts can damage both the glass and the frame.
- Please check for any hidden pipes or cables before drilling holes in the wall.
- The success of the installation and operation is, of course, dependant on the squareness, alignment and construction of the walls to which the enclosure is fixed. If the walls are significantly out of true we recommend dry lining the walls to ensure they are both vertical and at 90 ° to each other.
- The wall fixings supplied may not be suitable for your installation. You may need to source alternatives depending on the construction of the wall you are fixing to.

Tools Required:





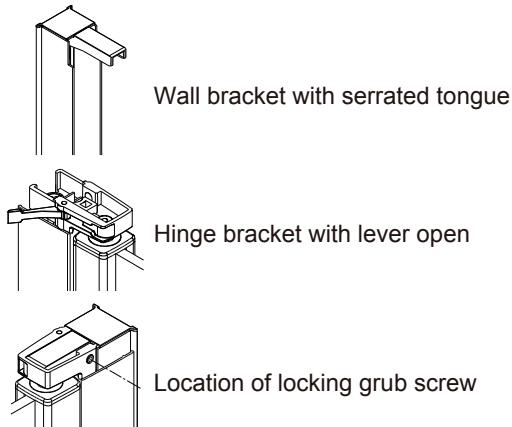
<p>1</p>  <p>1X</p>	<p>2</p>  <p>3X ST4X40</p>	<p>3</p>  <p>3X</p>	<p>4</p>  <p>1X</p>	<p>5</p>  <p>1X</p>	<p>6</p>  <p>1X</p>	<p>7</p>  <p>1X</p>	<p>8</p>  <p>1X</p>
<p>9</p>  <p>1X 3mm</p>							



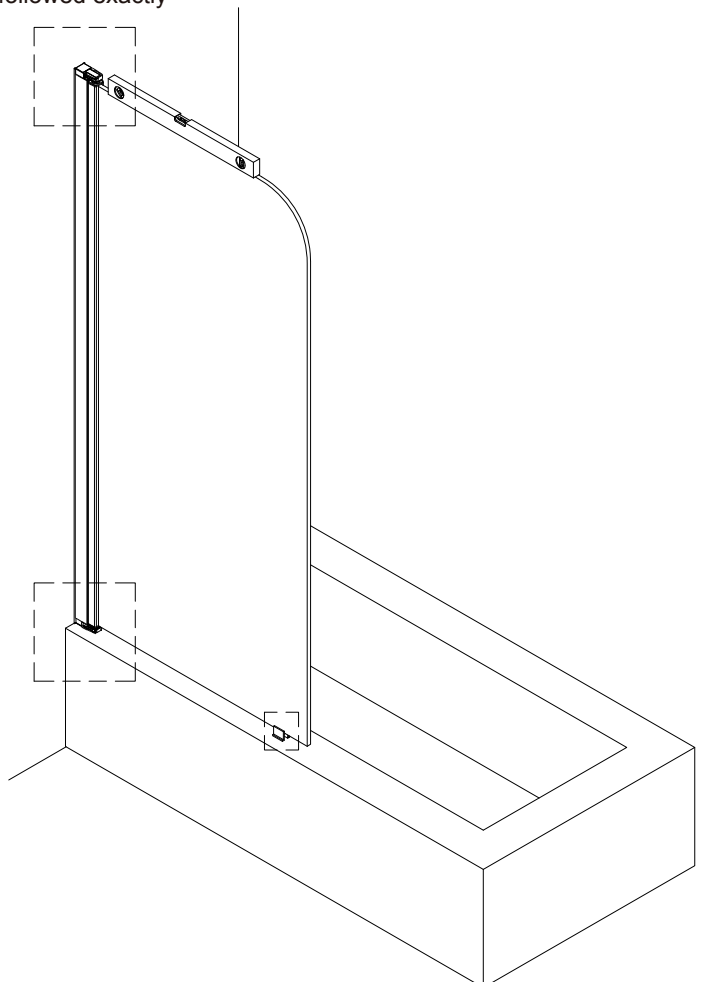
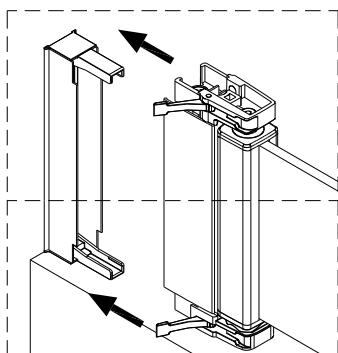
2 Fitting the screen to the wall bracket

To ensure correct and safe installation these steps must be followed exactly

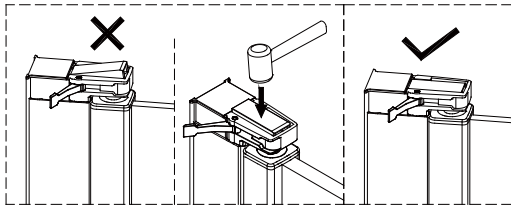
a) Main components of the locking system



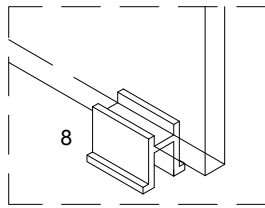
b) Open the levers on the top and bottom hinge brackets, and slide the assembly onto the wall bracket and serrated tongues



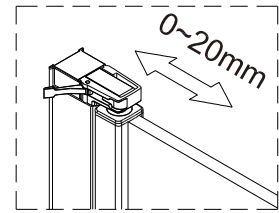
c) Ensure that the tongues are flush with the hinge brackets so that the locking system is fully effective



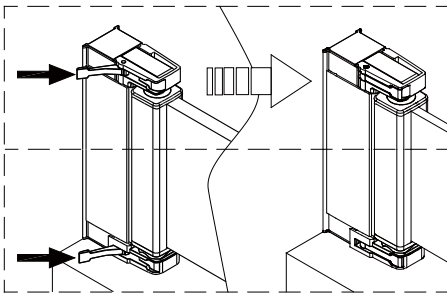
d) Place the spacer under the glass to help position the screen correctly



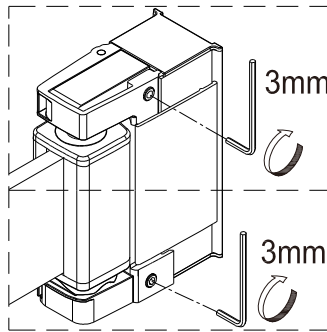
e) If necessary the hinge bracket can be adjusted out by up to 20mm to allow for uneven walls.



f) Close the locking levers

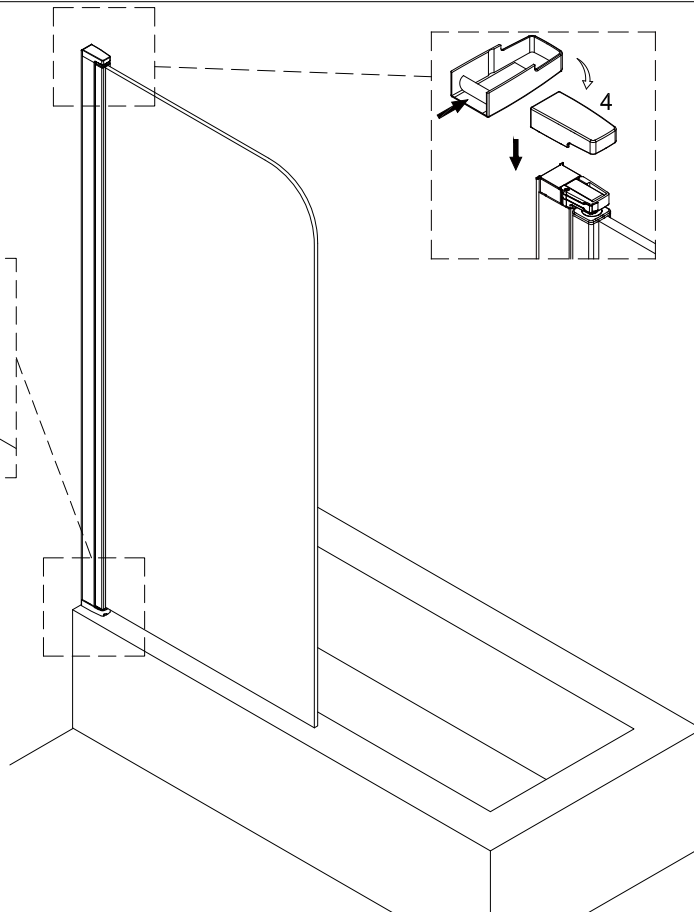
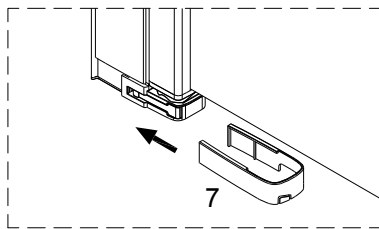


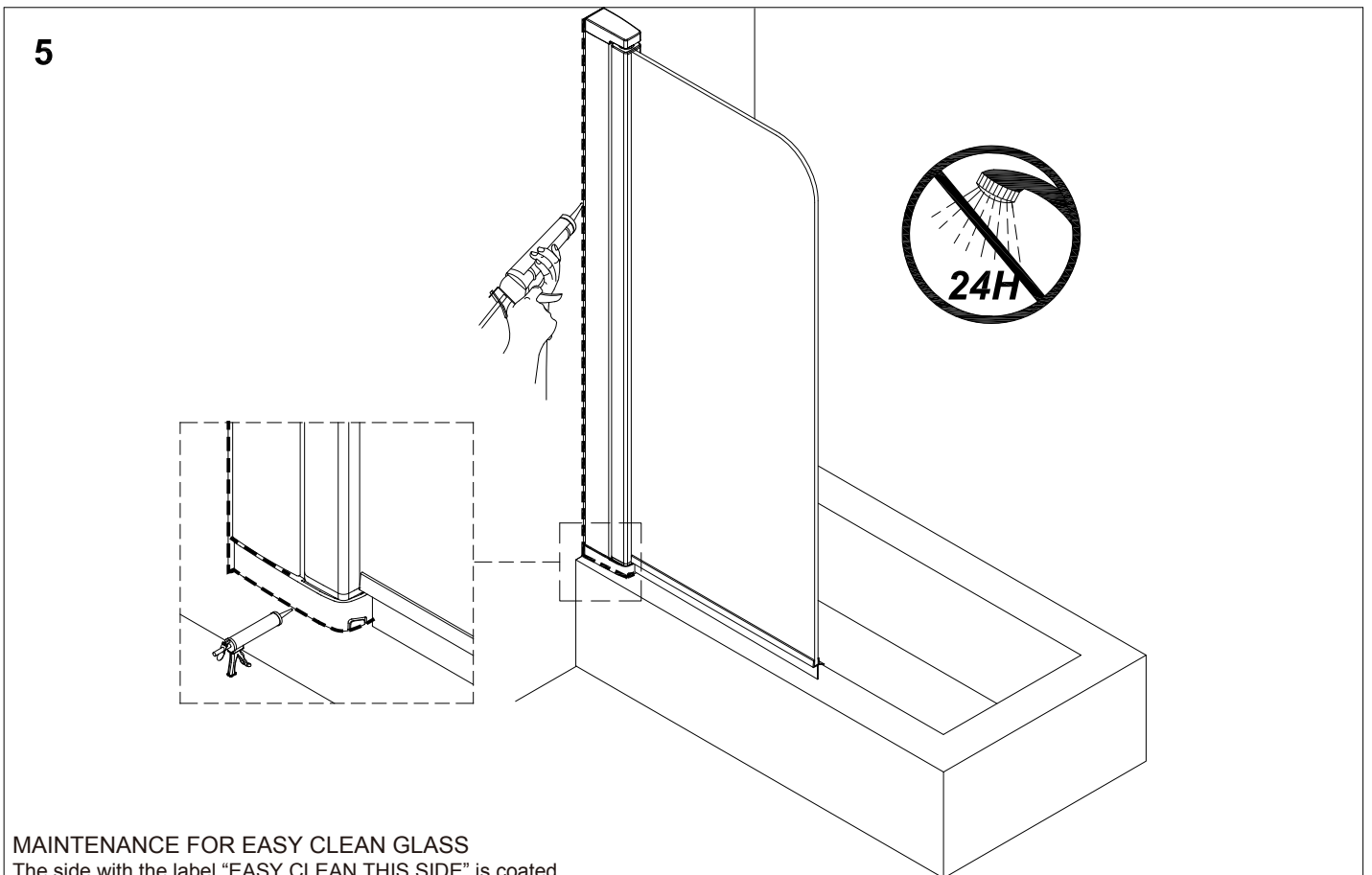
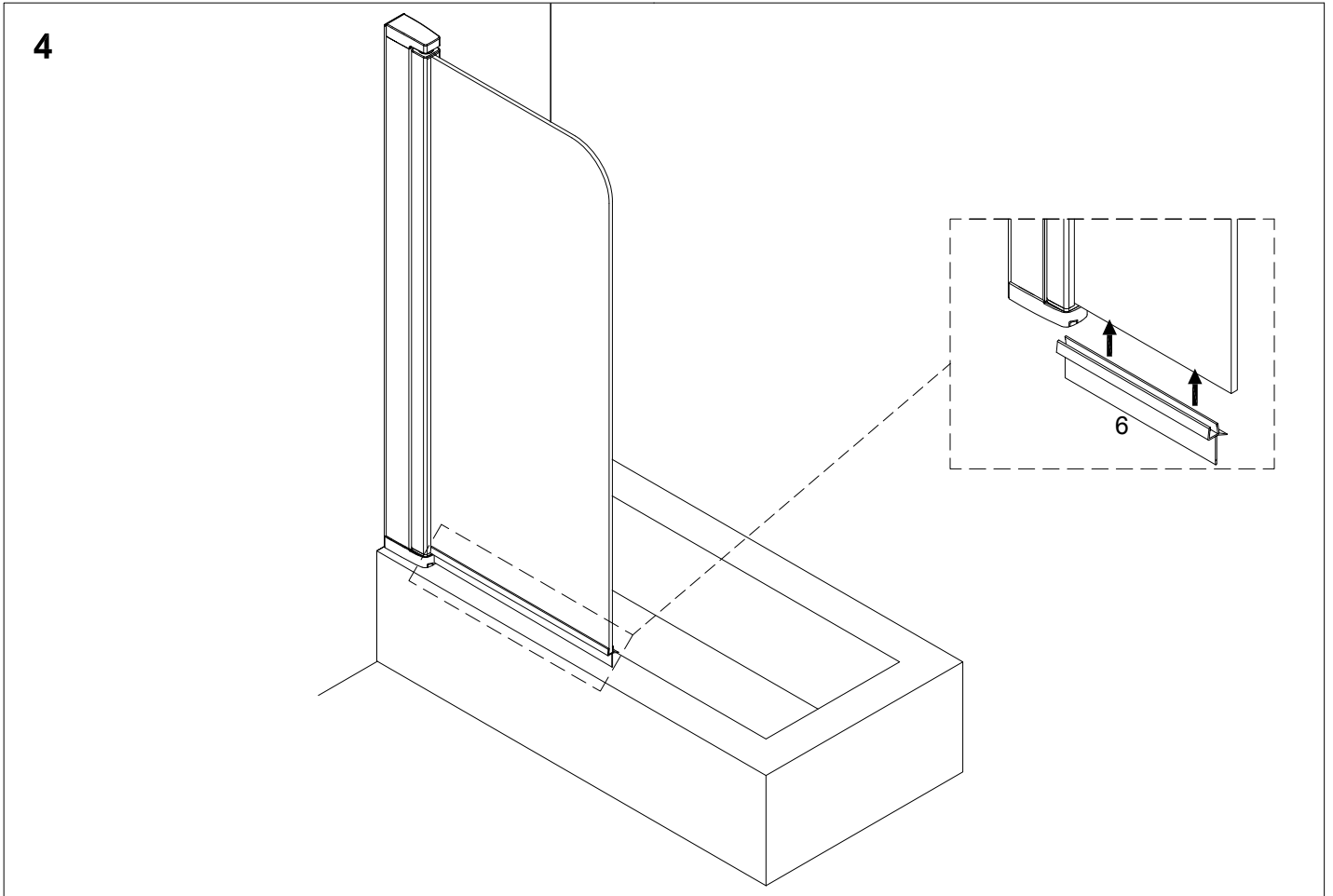
g) Tighten up the locking grub screws



Note that the grub screws are pointed and designed to dig into the serrated tongue to make the assembly fully secure.

3





MAINTENANCE FOR EASY CLEAN GLASS

The side with the label "EASY CLEAN THIS SIDE" is coated.

For routine cleaning we recommend the use of clean lukewarm water and a soft cloth in combination with a regular (non-abrasive) household cleaner.

Please see our website www.bathstore.com for any assistance.