

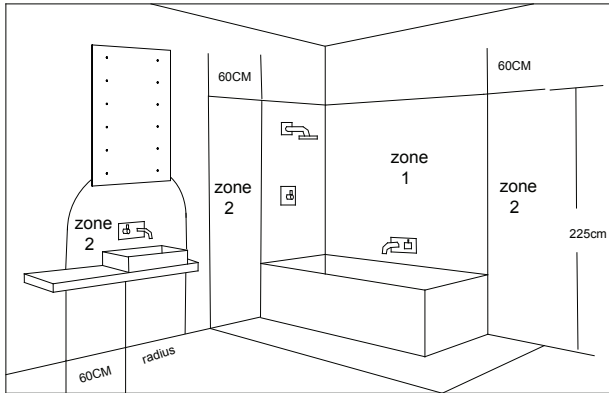
VOLTA BATTERY OPERATED LED MIRROR INSTALLATION INSTRUCTIONS

Please read these instructions carefully before installation.
 Installation should be carried out by a qualified electrician.
 Please leave a copy for the user/maintenance engineer for future reference.

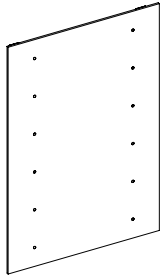
GENERAL

- THIS PRODUCT IS FOR IN DOOR USE ONLY.
- THIS PRODUCT IS IP44 RATED AND CAN BE INSTALLED IN THE ZONE 2 (AS DEFINED BY THE IEE WIRING REGULATIONS) AND BEYOND. SEE THE DIAGRAM BELOW.

IEE Bathro m Zones Diagram



OUTSIDE ZONES



43100002130

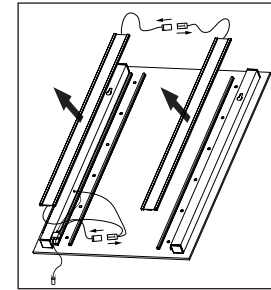
IMPORTANT

- When working at heights, please use a suitable platform to work from.
- **Please note:** For new installations, check for any electrical cables or pipe work (gas/water) in the vicinity of the intended mounting point before proceeding with the installation.
- Ensure that the fixing location is able to take the weight of the complete fitting.
 Wear suitable eye protection when drilling. Be careful when using power tools near water.

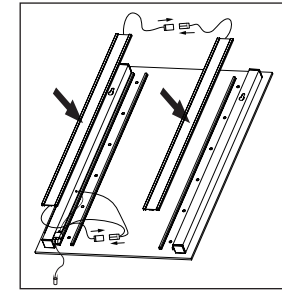
- Do NOT strike mirror glass with hard or pointed items. It is recommended that the product is cleaned with a soft, dry, non abrasive cloth. Do NOT use cleaning agents or abrasive materials on any type of finished surface. Do NOT allow moisture to come into contact with the electrical components.

REPLACEMENT OF LED STRIPS

Replace failed LED strips immediately. Allow the glass and light elements to cool before replacing a strip. place the mirror face down on clean soft surface. Replacement strips should be positioned accurately to ensure full illumination.



Remove LED

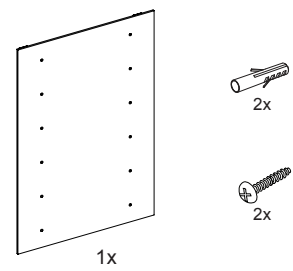


Install LED

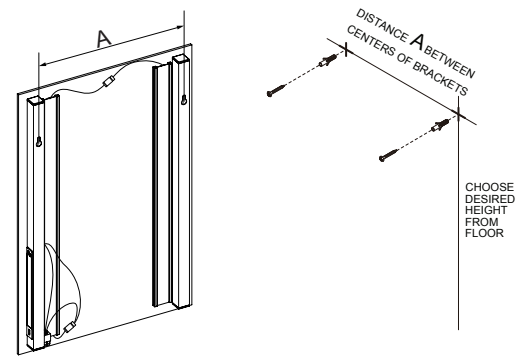
VOLTA BATTERY OPERATED LED MIRROR INSTALLATION INSTRUCTIONS

Installation procedure

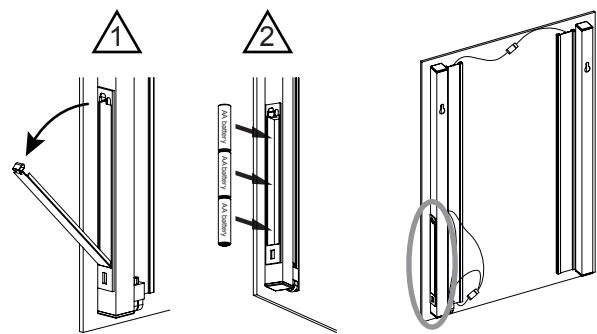
1. Open the carton and make sure all the parts listed below are present.



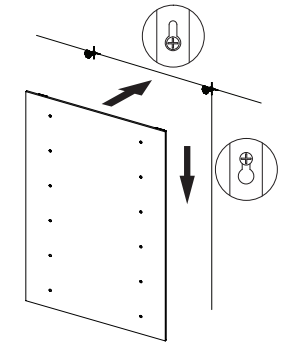
2. Mark a desired height of the mirror. Drill the required holes and insert the wall plugs. Note: Wall plugs supplied are only suitable for solid stone/brick walls. Please ensure the screws are fully tight.



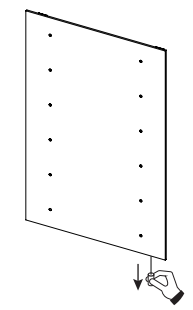
3. Remove the battery cover at the bottom right hand side, put 3 AA batteries (not supplied) in place, then re-fit the cover.



4. Hang the mirror onto the wall.



5. Pull the string at bottom right to turn on the light.



Waste Electrical & Electronic Equipment Regulations (WEEE) requires that any of our products showing this mark (left) must not be disposed of with other household or commercial waste. Bathstore does not levy any WEEE disposal charges to its customers for affected WEEE related products. To prevent possible harm to the environment or human health from uncontrolled waste disposal, please separate any such product from other waste types and recycle it responsibly at your local facilities. Check with your Local Authority, Recycling Center or retailer for recycling advice.

GUARANTEE

This product is guaranteed in the UK for a period of 5 years from the date of purchase. The guarantee is invalid in the case of improper use, installation or tampering. Should this product fail during the guarantee period it will be replaced free of charge, subject to correct installation and return of the faulty unit. Bathstore does not accept responsibility for any installation costs associated with the replacement of this product. Your statutory rights are not affected. Bathstore reserve the right to alter specifications without prior notice.