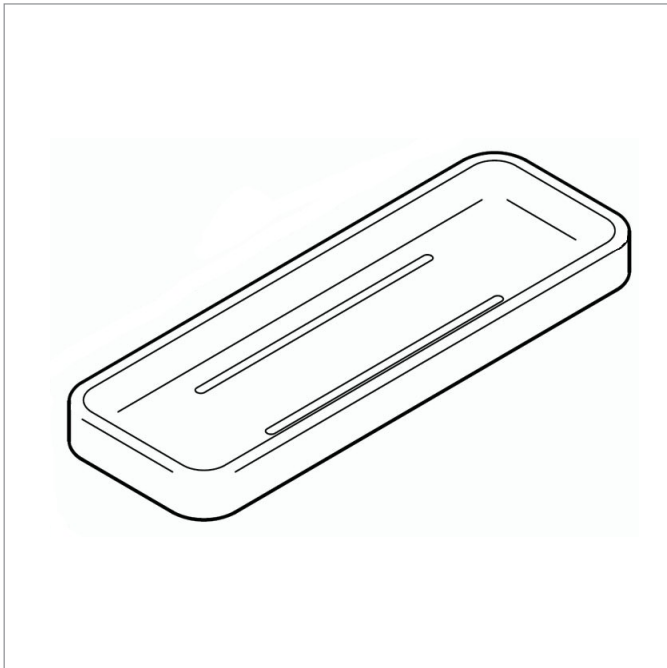


System acrylic stone tray

41100060946



DIMENSIONS:

Width: 285 mm

Depth: 95 mm

Height: 50 mm

CLEANING

The Solid Surface material offers excellent resistance to chemical and mechanical stresses. However as for all materials, regular cleaning and periodic maintenance are required. Acrylic stone is non porous and therefore does not absorb any liquid it comes into contact. In case of stains clean the surface with a cloth, water and a regular household detergent. In case of stubborn stains treat the surface with a Scotchbrite® sponge type and use a creamy/abrasive cleanser by making circular motions. To remove limescale use an abrasive sponge, vinegar or a vinegar based cleanser. Stains caused by cigarettes can be taken off with a cloth and an abrasive cleanser.

DISPOSAL

Please dispose in a responsible manner, all components are recyclable and/or reusable. The product is manufactured with elements of recycled materials.

