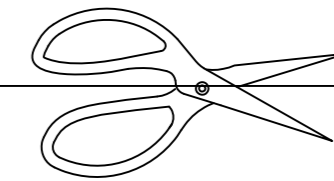
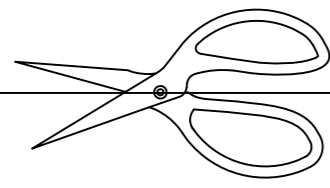


CUT TO THIS LINE

CENTER LINE



Cut the template out along this line before placing on flat surface of the worktop.

Cut out along this line

FIXING INSTRUCTIONS

1. Fix template to unit and cut out.
2. Apply generous amount of silicon sealant (not supplied) to underside rim and front underside of the basin.
3. Fit the basin into the unit.
4. Remove any excess sealant from top rim of basin.

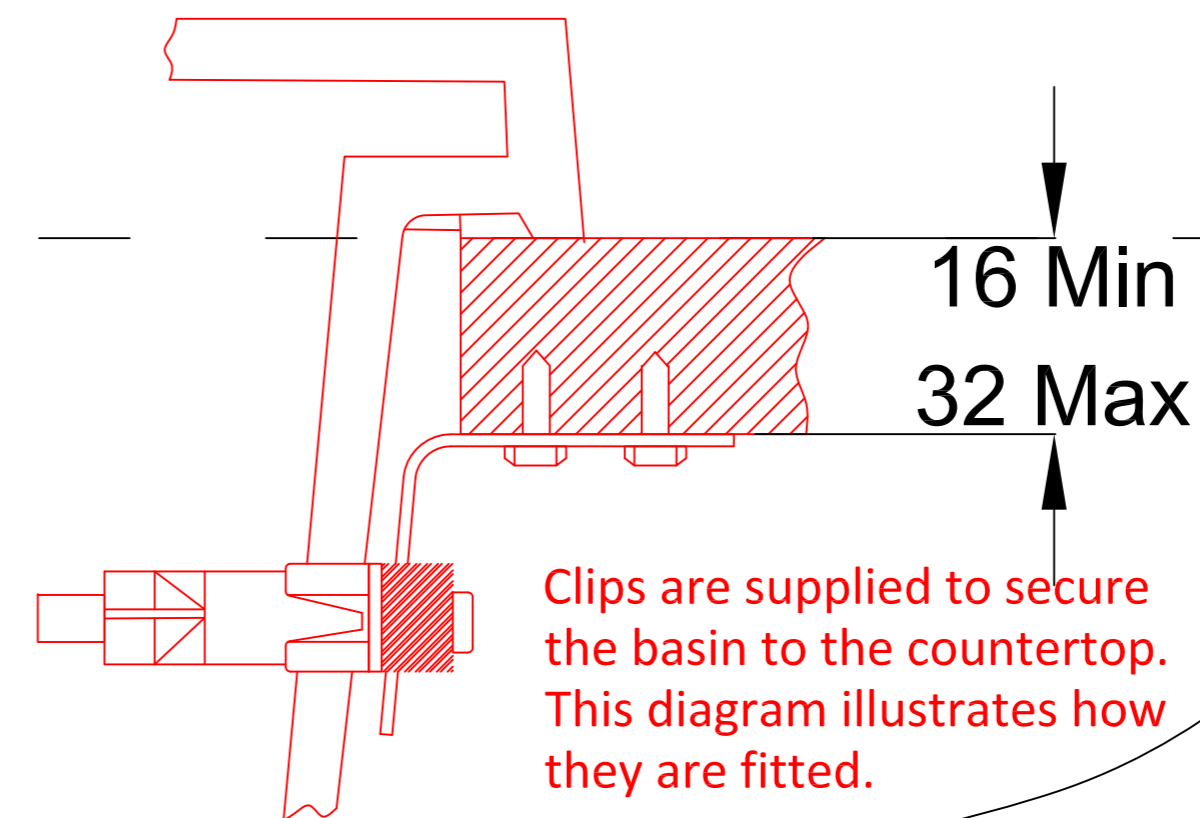
Given the nature of sanitaryware, each basin varies slightly as to shape and dimensions. For the best fit additional chamfering of the worktop should be done to attain the perfect fit. All cut surfaces should be sealed to protect against moisture penetration and subsequent damage.

Please see our website www.bathstore.com for any assistance.



Horizontal surface of the worktop

Locate template to the front surface of the fitted worktop as indicated by the arrow.



Cut out along this line

CENTER LINE

20050030934

TRANSITION 520 SEMI RECESSED SLIMLINE BASIN