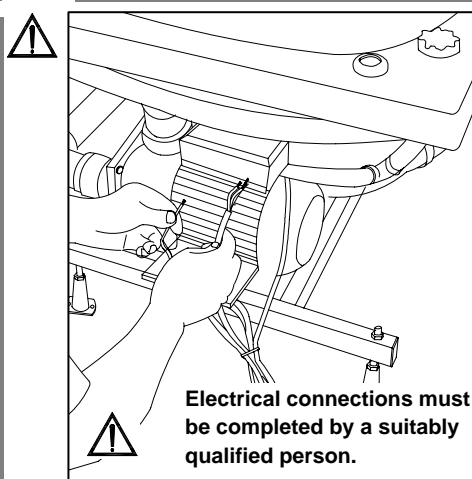
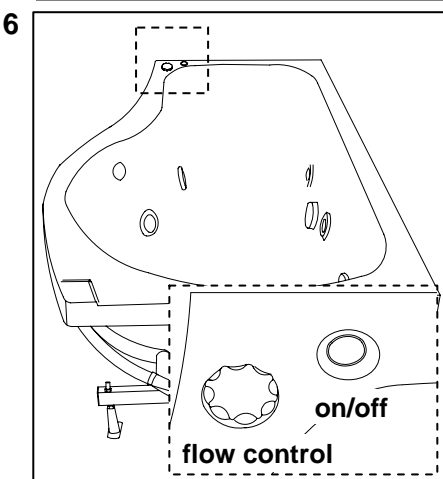
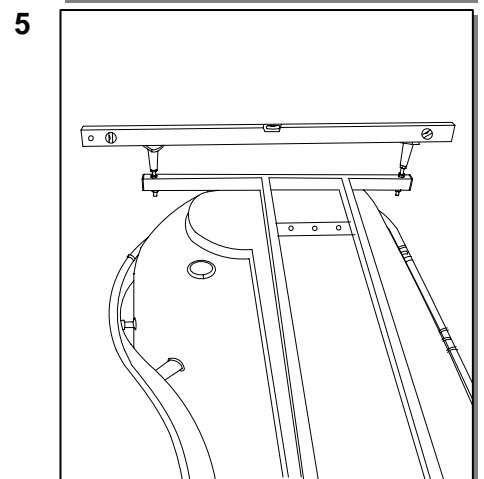
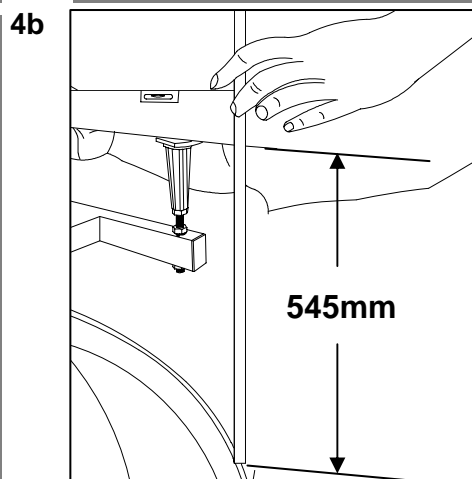
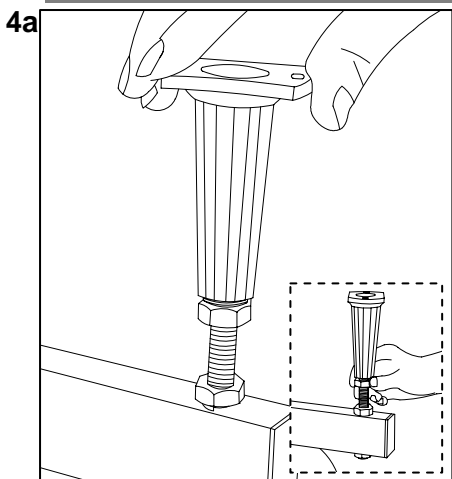
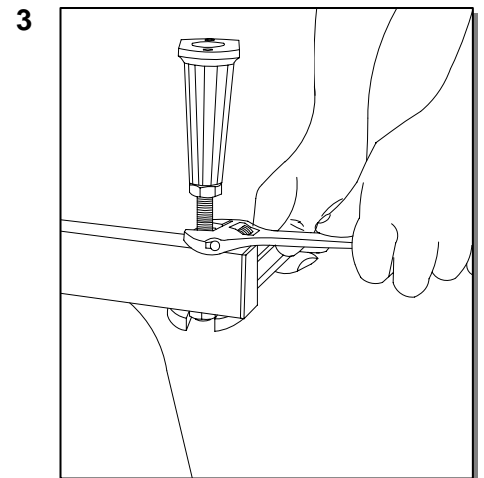
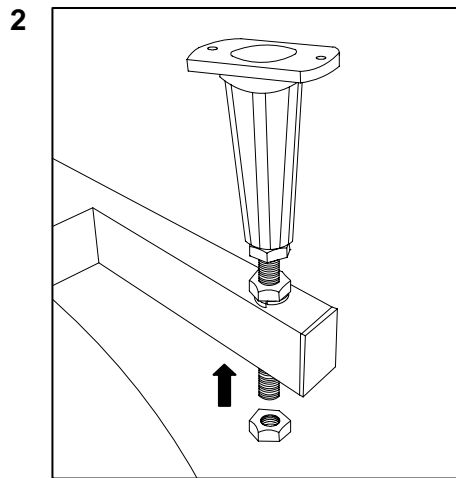
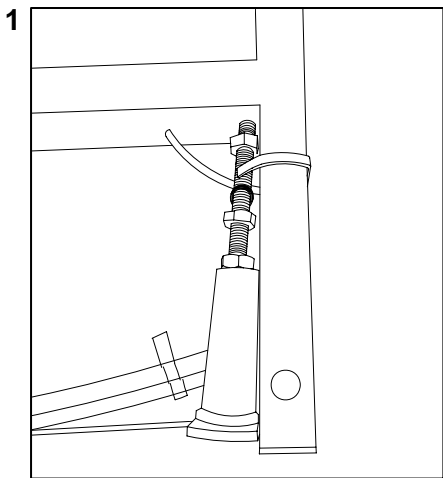
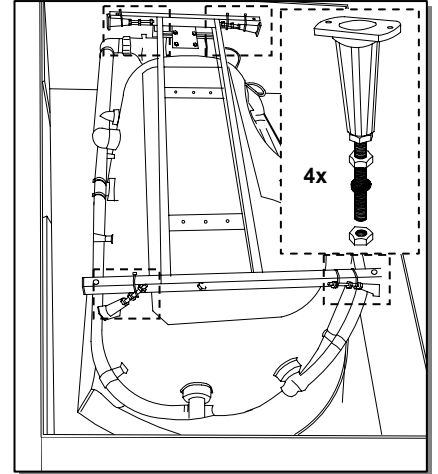
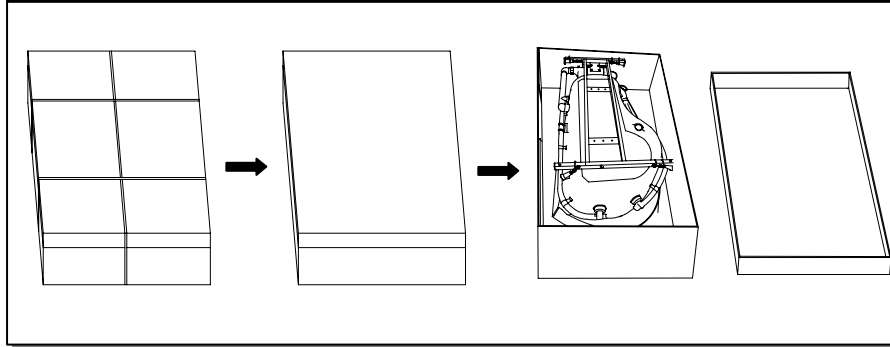
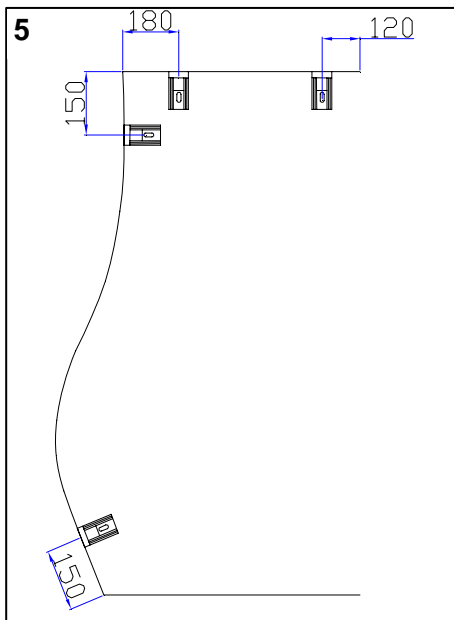
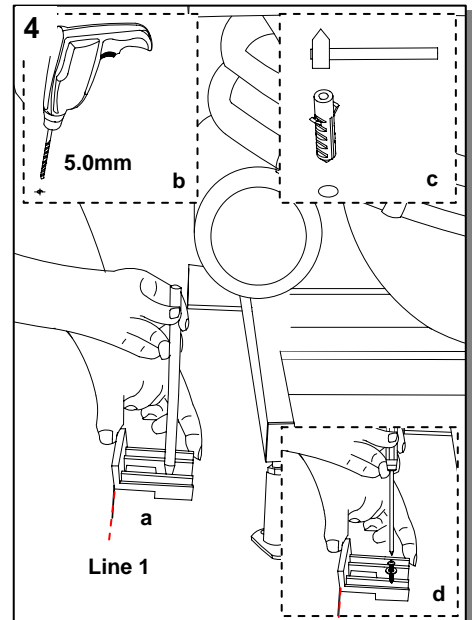
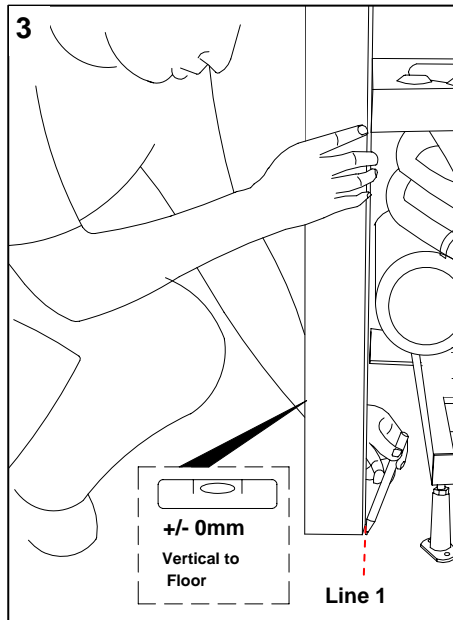
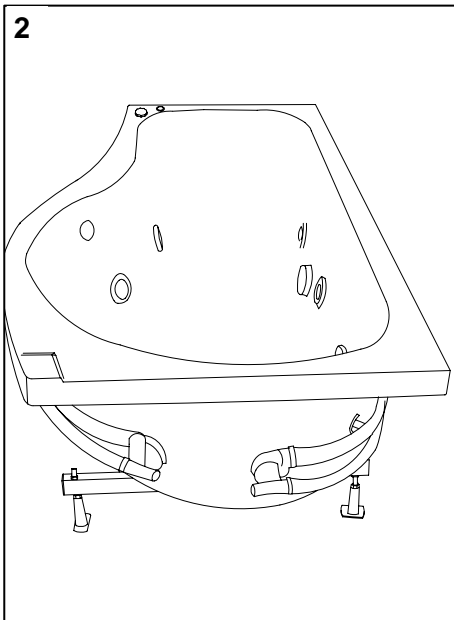
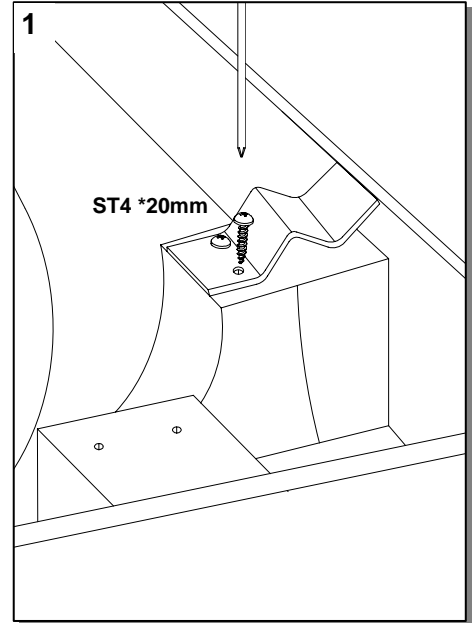
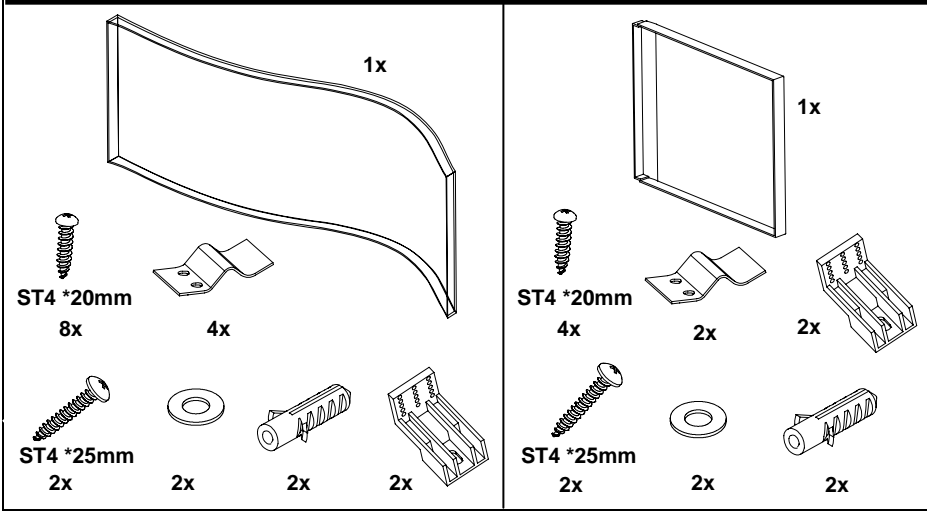


LIBERTY SHOWERING WHIRLPOOL BATH



- Any wiring should comply with current UK Part P Legislation, where applicable.
- The appliance should be supplied through a residual current device (RCD) having a rated residual operating current not exceeding 30 mA!

LIBERTY SHOWERING WHIRLPOOL BATH PANELS


To fix bath panel to the floor, use silicone. Not only does this fix this panel in place, but it also seals the underneath of the bath from splash water.

