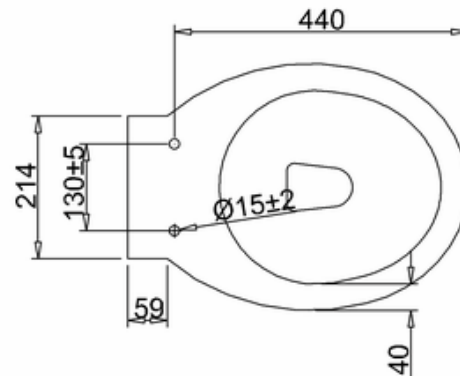




bathstore

41900090210 - MYTIME BACK TO WALL PAN WHT MK3



Remark:

- 1: Flatness of installation surface: 0~2mm
- 2: Flatness of whole surface: 0~5mm
- 3: Depth of water seal: Min 50
- 4: Spigot length: Min.40
- 5: Depth of inlet hole: Min.25
- 6: Height difference between left and right: 0~6
- 7: Height difference between seat hole and front rim: 0~6
- 8: From seat hole to front rim:
For the top control as 2mm;
For the bottom as 6mm

