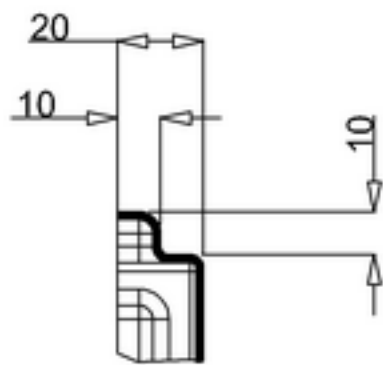
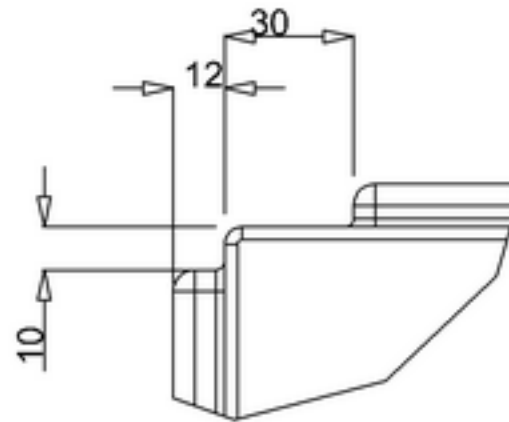


A - A



B
SCALE 1:2



C
SCALE 1:2



PERSPECTIVE
SCALE 1:20