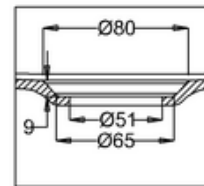
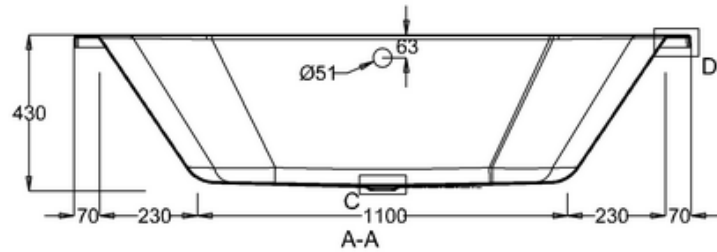
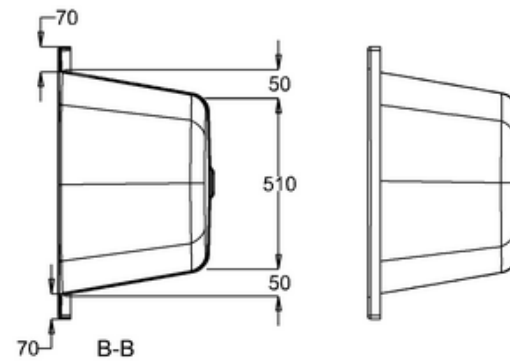
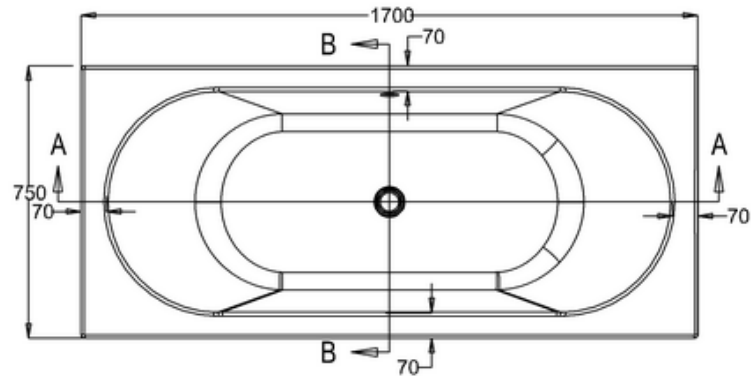


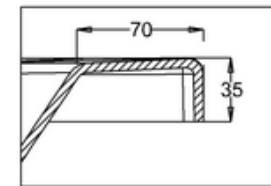


**bathstore**

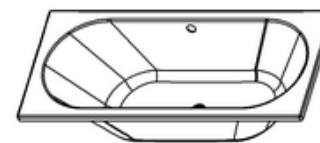
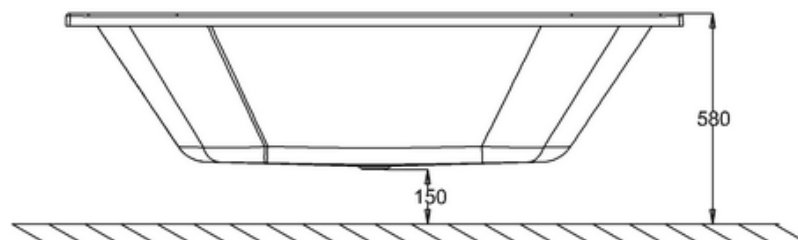
# 41405002980 - 1700 WASH BATH NTH WHT L1700 W750 H430 EXC FEET MK3



C  
SCALE 1:2



D  
SCALE 1:2



PERSPECTIVE  
SCALE 1:40