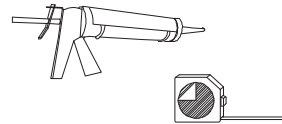
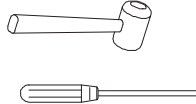
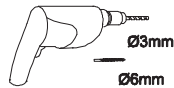
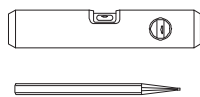


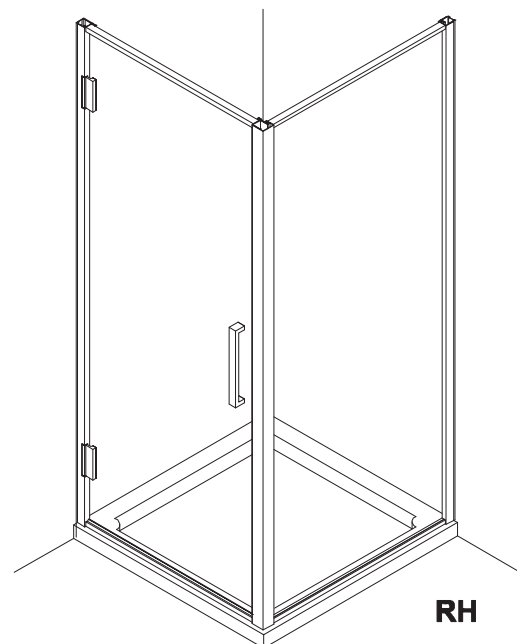
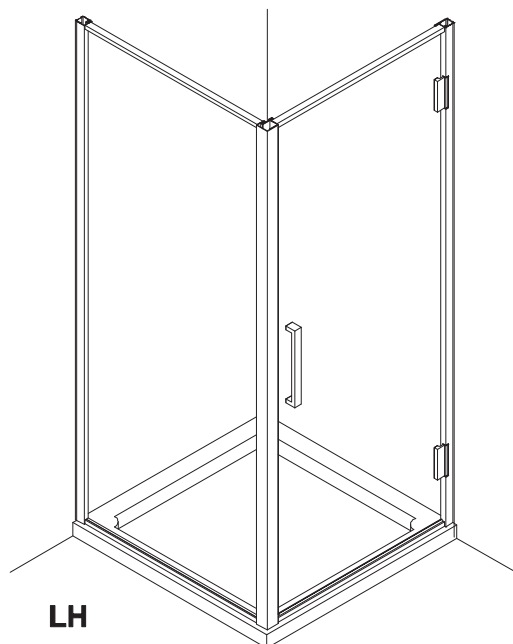
## Vetri Hinge Door and Side Panel Installation Instructions

- Prior to installation check that all fittings have been supplied.
- The tray should be installed by a competent person. The tray should be level, the walls should be tiled down to the tray, and the horizontal joint between the tiles and tray must be sealed with silicone sealant to ensure water-tightness.
- Handle with care. Impacts can damage both the glass and the frame.
- Please check for any hidden pipes or cables before drilling holes in the wall.
- The success of the installation and operation is, of course, dependant on the squareness, alignment and construction of the walls to which the enclosure is fixed. If the walls are significantly out of true we recommend dry lining the walls to ensure they are both vertical and at 90 ° to each other.
- The enclosure is reversible: " door can be either left or right opening. "  
In the remainder of this manual the illustrations will only show the left hand installation.
- The wall fixings supplied may not be suitable for your installation. You may need to source alternatives depending on the construction of the wall you are fixing to.

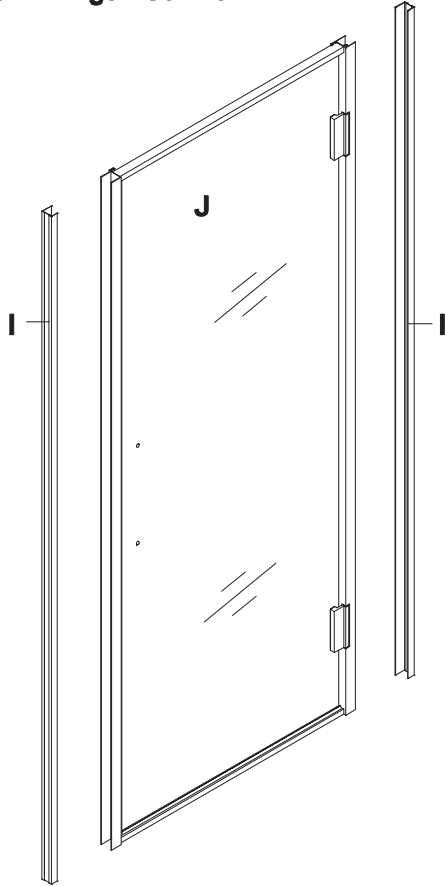
### Tools Required:



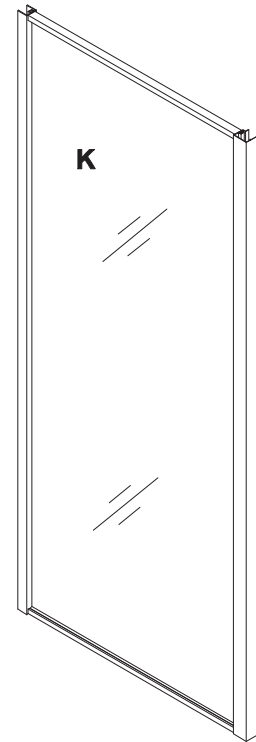
PLEASE USE THESE INSTRUCTIONS FOR HINGE DOOR AND SIDE PANEL INSTALLATION, AND DISREGARD INSTRUCTIONS FOR HINGE DOOR IN RECESS INSTALLATION.

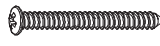

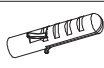











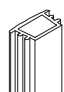
**Parts supplied in Hinge Door Box:**



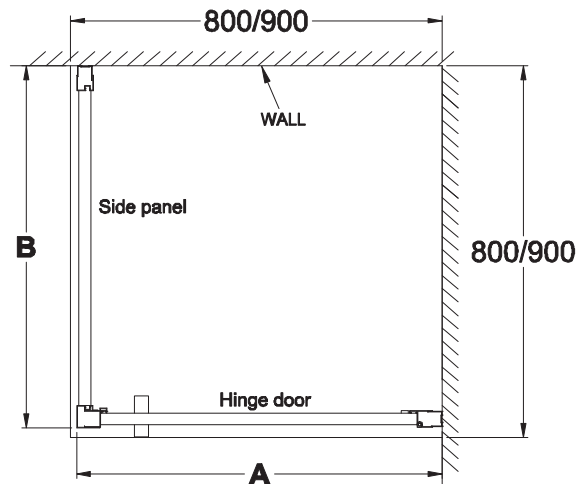
**Part supplied in Side Panel Box:**



<b>A</b>	 ST3.9*45mm Screw	<b>8x</b>	<b>E</b>	 Cover	<b>8x</b>
<b>B</b>	 Wall Plug	<b>8x</b>	<b>F</b>	 Cover	<b>4x</b>
<b>C</b>	 ST3.9*13mm Screw	<b>8x</b>	<b>G</b>	 4mm Allen key	<b>1x</b>
<b>D</b>	 Washer	<b>8x</b>	<b>H</b>	 Handle	<b>1x</b>

<b>C</b>	 ST3.9*13mm Screw	<b>4x</b>
<b>D</b>	 Washer	<b>4x</b>
<b>E</b>	 Cover	<b>4x</b>
<b>L</b>	 ST3.9*13mm Screw	<b>4x</b>
<b>M</b>	 seal strip	<b>1x</b>

**BEFORE INSTALLATION:**



ADJUSTMENT RANGE	
PRODUCT	A (mm)
800 Hinge Door	768~788
900 Hinge Door	868~888

ADJUSTMENT RANGE	
PRODUCT	B (mm)
800 Side Panel	760~780
900 Side Panel	860~880

