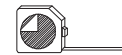
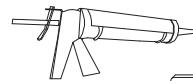
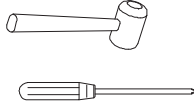
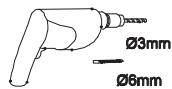
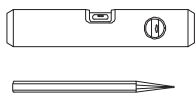


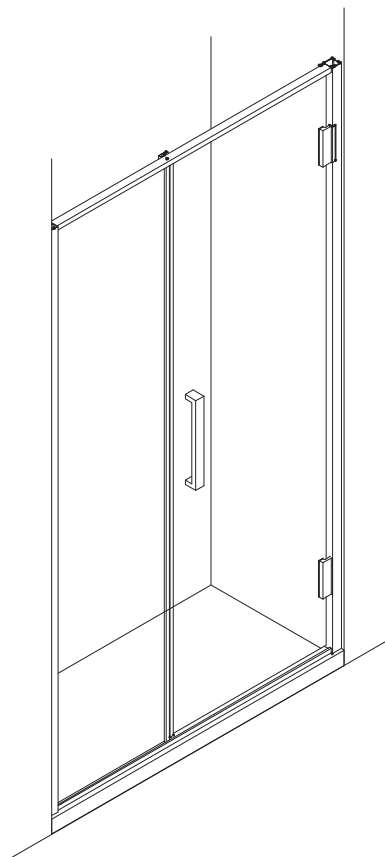
## Vetri Hinge Door & Inline Panel Installation Instructions

- Prior to installation check that all fittings have been supplied.
- The tray should be installed by a competent person. The tray should be level, the walls should be tiled down to the tray, and the horizontal joint between the tiles and tray must be sealed with silicone sealant to ensure water-tightness.
- Handle with care. Impacts can damage both the glass and the frame.
- Please check for any hidden pipes or cables before drilling holes in the wall.
- The success of the installation and operation is, of course, dependant on the squareness, alignment and construction of the walls to which the enclosure is fixed. If the walls are significantly out of true we recommend dry lining the walls to ensure they are both vertical and at 90 ° to each other.
- The enclosure is reversible: " door can be either left or right opening. "  
In the remainder of this manual the illustrations will only show the left hand installation.
- The wall fixings supplied may not be suitable for your installation. You may need to source alternatives depending on the construction of the wall you are fixing to.

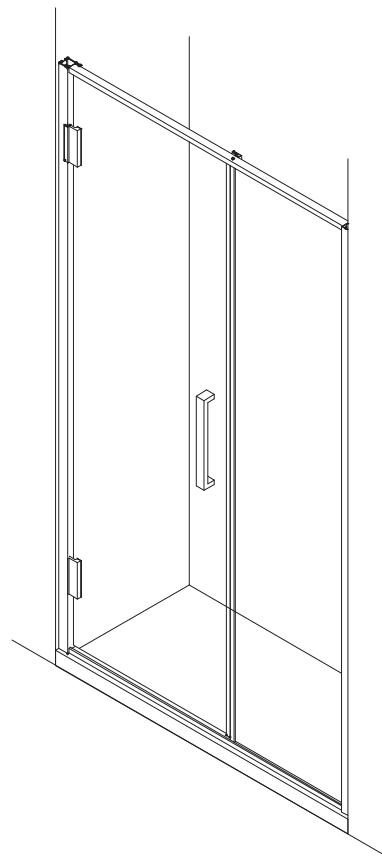
### Tools Required:

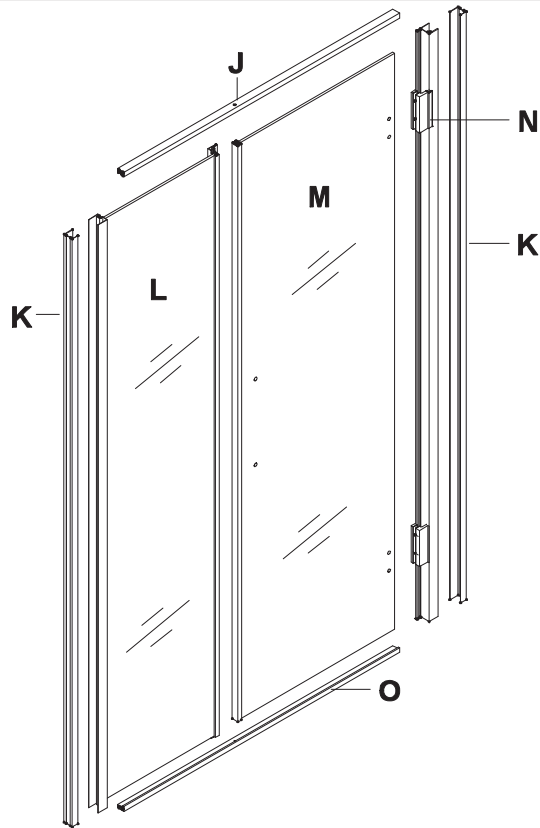









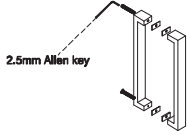

LH



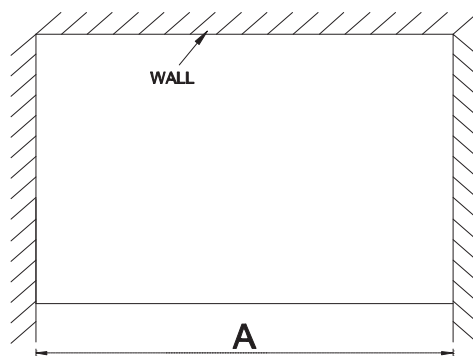
RH





A		ST3.9*45mm Screw	8x	F		ST3.9*30mm Screw	10x
B		Wall Plug	8x	G		Cover	4x
C		ST3.9*13mm Screw	8x	H		4mm Allen key	1x
D		Washer	8x	I		Handle	1x
E		Cover	8x				

**BEFORE INSTALLATION:**



**ADJUSTMENT RANGE**

PRODUCT	A (mm)
1200 Hinge Door & Inline Panel	1150~1190
1400 Hinge Door & Inline Panel	1350~1390

Please measure the distance between two walls before installation.  
Ensure the distance is within the adjustment range of product, as is listed above.

