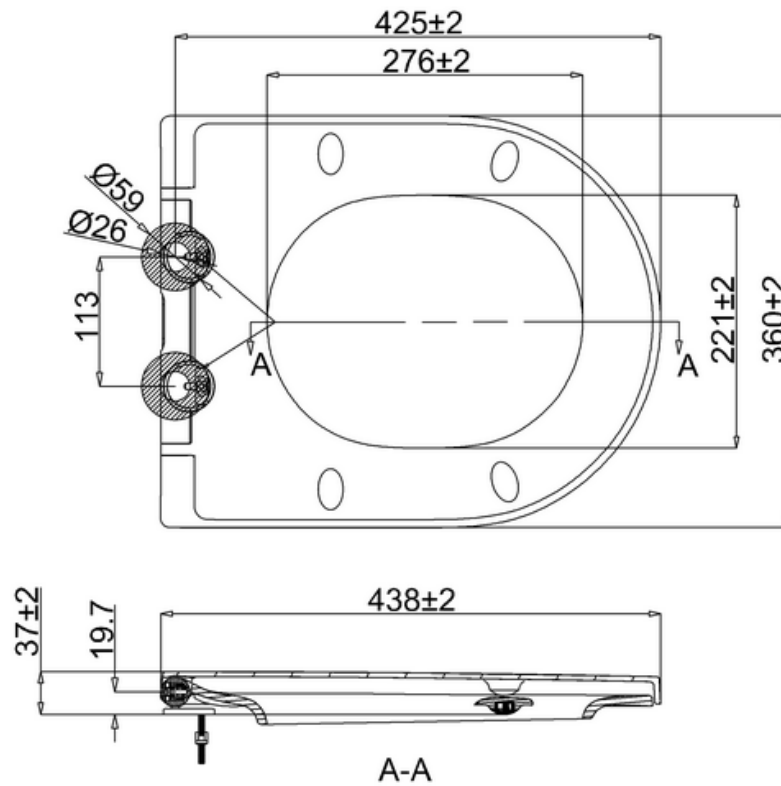




bathstore

41200100930 - TRANSITION SOFT CLOSE TOILET SEAT



Whole dimension tolerance is ± 5 .

Dimension tolerance between two hinge holes is ± 5 .