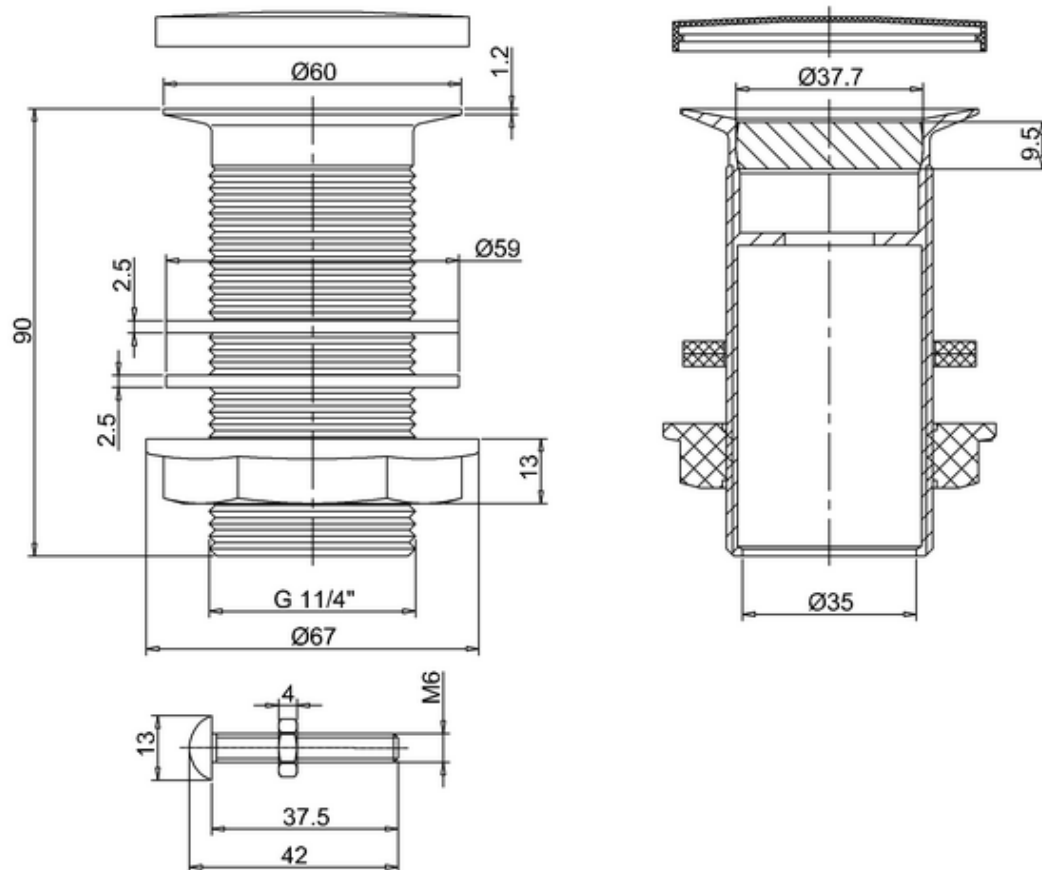


## 40044440017 - Flip Top Basin Waste(unslopped)



### Note:

For the each part, the dimension tolerance should be followed the list below.

0 ~ 100	101 ~ 200	201 ~ 400	e401
$\pm 1$	$\pm 2$	$\pm 3$	$\pm 5$

For the finished assembly, the dimension tolerance should be followed the list below.

0 ~ 300	e301
$\pm 2$	$\pm 5$