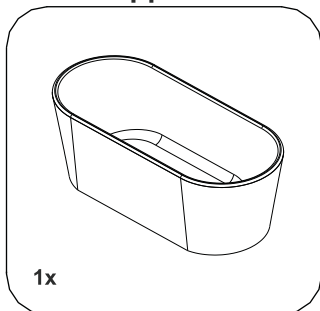
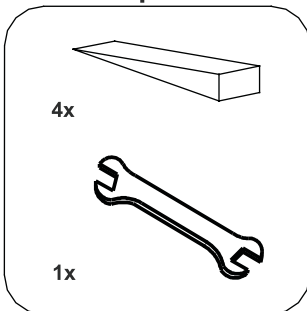


Parts Supplied:



Parts Required:



Important

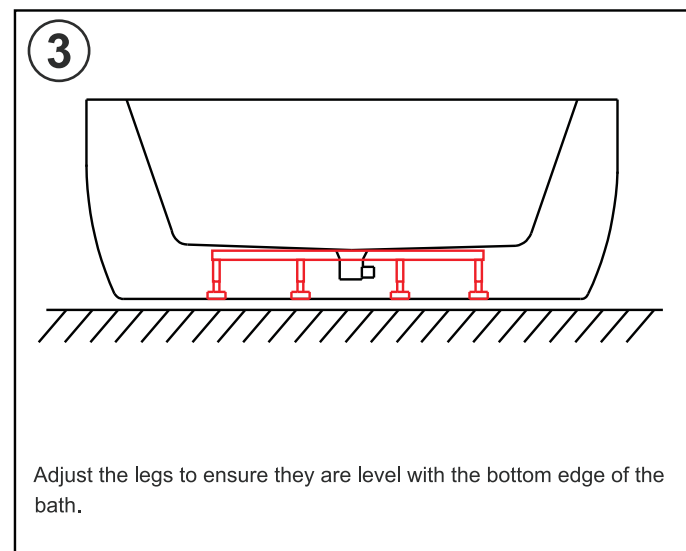
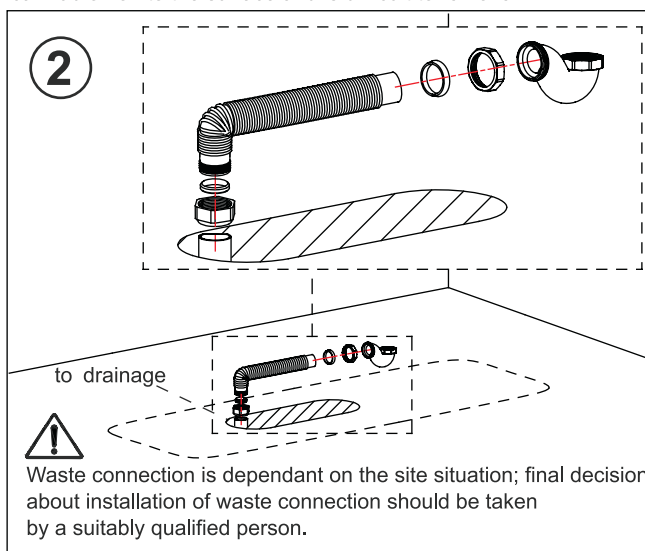
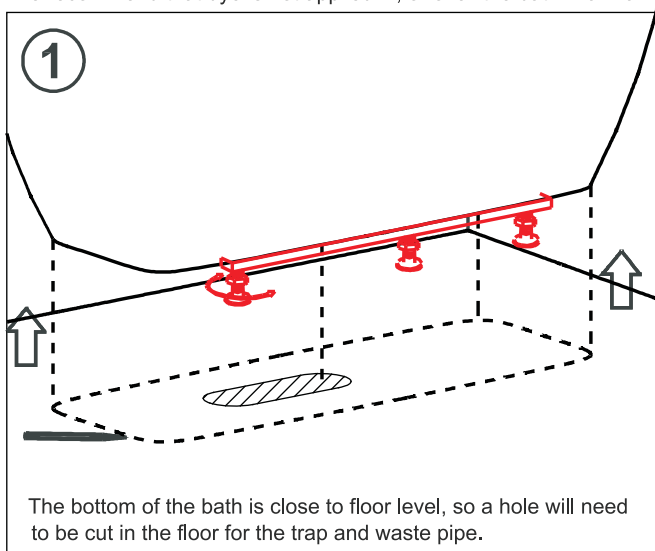
- Please unwrap the bath and check it carefully to ensure it has not been damaged in handling or transport.
- The overflow and waste for this bath are pre-fitted. Please check that all parts have been supplied.
- Store the bath in a safe place until you begin installation to avoid damage.
- Assemble bath on a mat to protect against damage to bath surface.
- No claims for damages or blemishes will be accepted once the bath has been installed.
- We recommend that you do not remove your old bath until you have unpacked and inspected the new one. Please contact your local store if you have any concerns.
- Any installation should be carried out by a qualified tradesman with knowledge of statutory plumbing requirements in your area.
- This product requires a two person lift –use proper lifting techniques.
- The entire base of the bath must be fully supported by the floor to prevent the bath becoming damaged through stress. To achieve this please ensure that the floor is completely flat.

Everyday cleaning

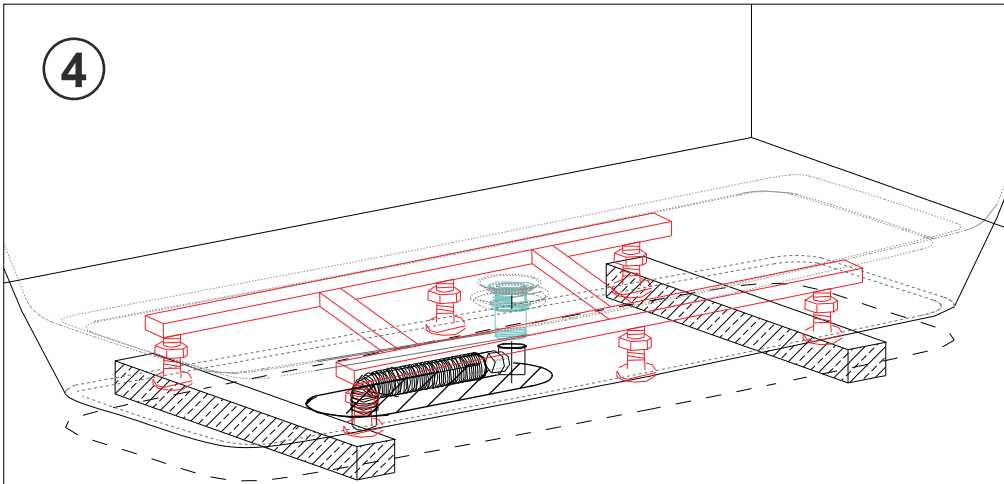
We recommend a non-abrasive bathroom cleaner.

Warning

Never use cleaners / bleach products specifically manufactured for WC bowl cleaning as they may damage your bath. Hair dye can stain the surface of the bath. We recommend that dye is not applied in, or over the bath. Nail varnish can rub off on to the surface and is difficult to remove.

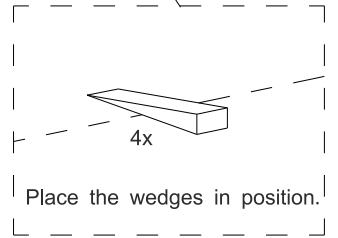
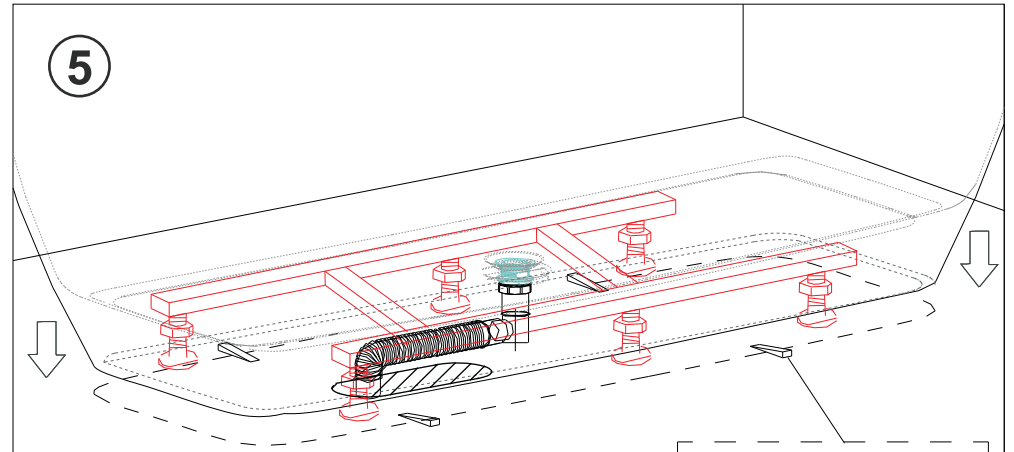


4

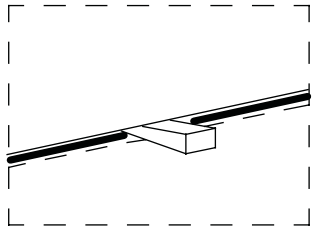
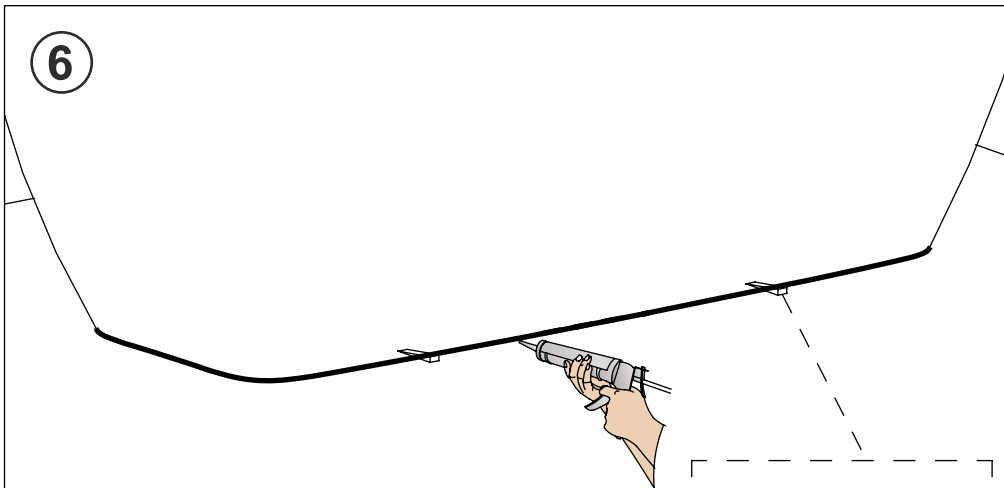


Place the bath on two wooden blocks over the waste connections. Connect the waste. Fill the bath with water and check for leaks from the waste before removing the blocks.

5



6



7

