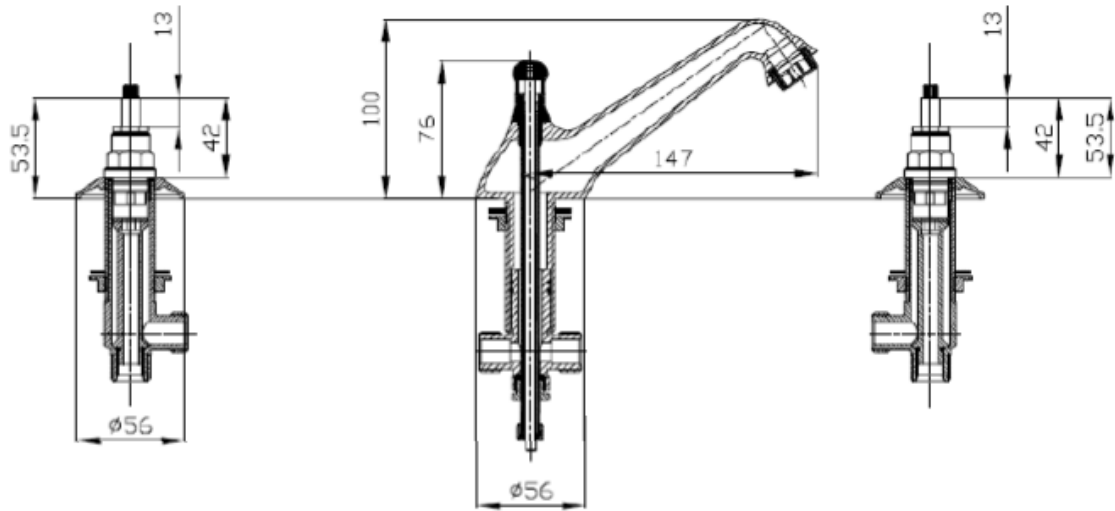
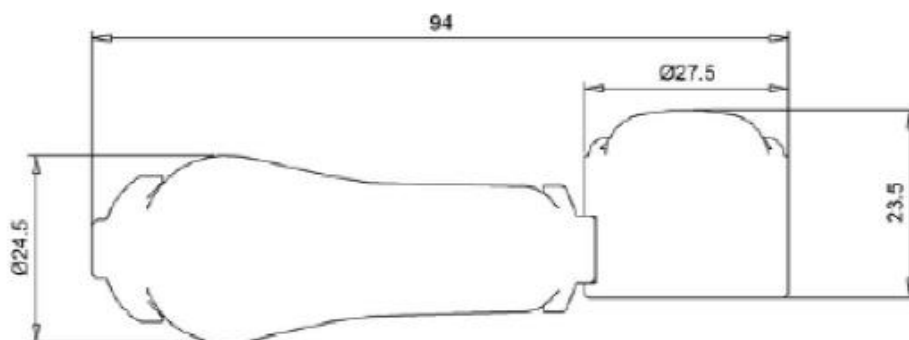




BENSHAM THREE TAP HOLE BASIN MIXER CHROME LEVER KIT





Note:

For the each part, the dimension tolerance should be followed the list below.

0 - 100	101 - 200	201 - 400	≥401
±1	±2	±3	±5

For the finished assembly, the dimension tolerance should be followed the list below.

0 - 300	≥301
±2	±5