

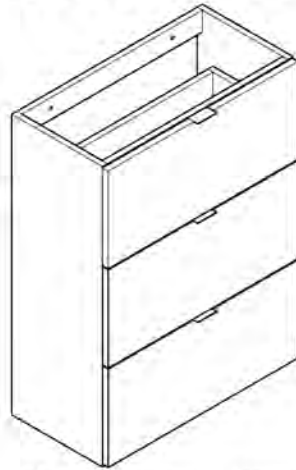
# Myplan 600 Drawer Unit

## IMPORTANT NOTE

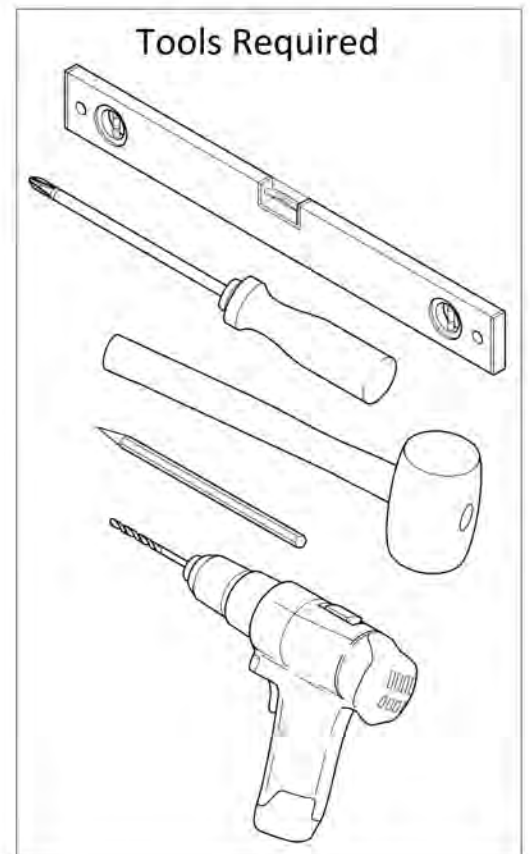
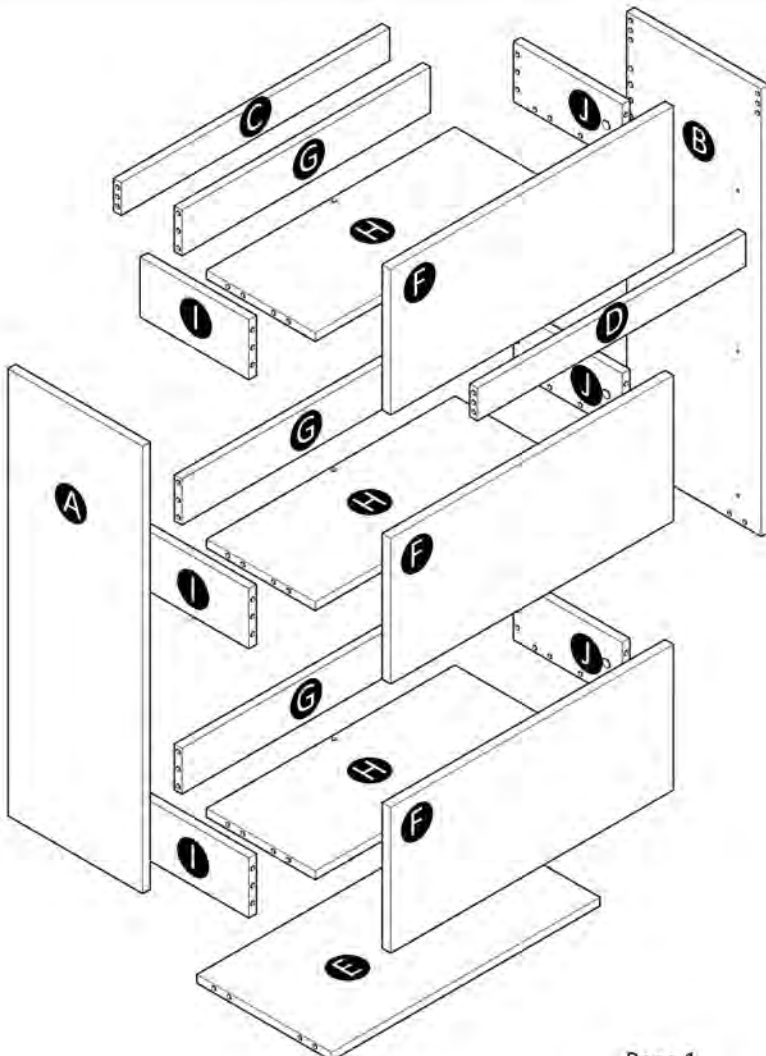
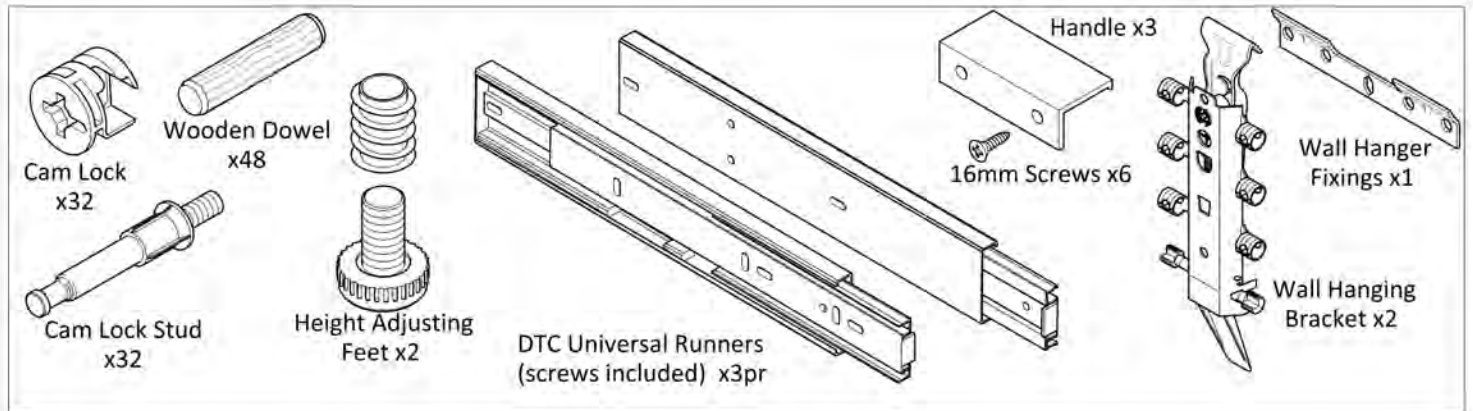
Check all product contents and read instructions before starting installation.

## SAFETY WARNINGS

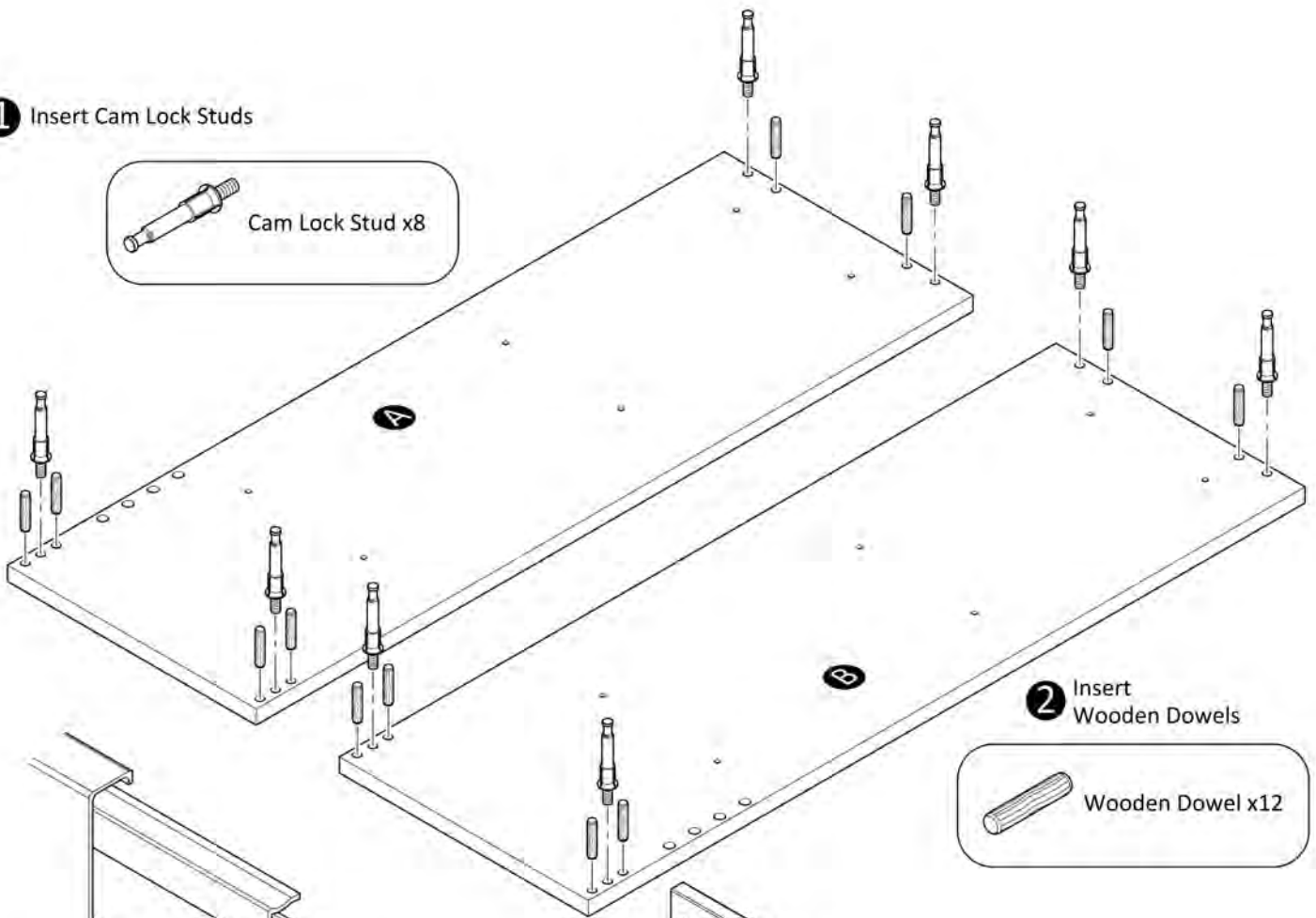
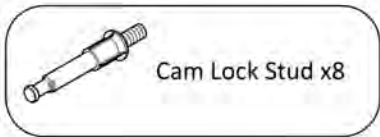
Handle product with care  
 Keep all small parts away from children  
 If product is above 20kg (see packaging)  
 it requires 2 people to carry & install it



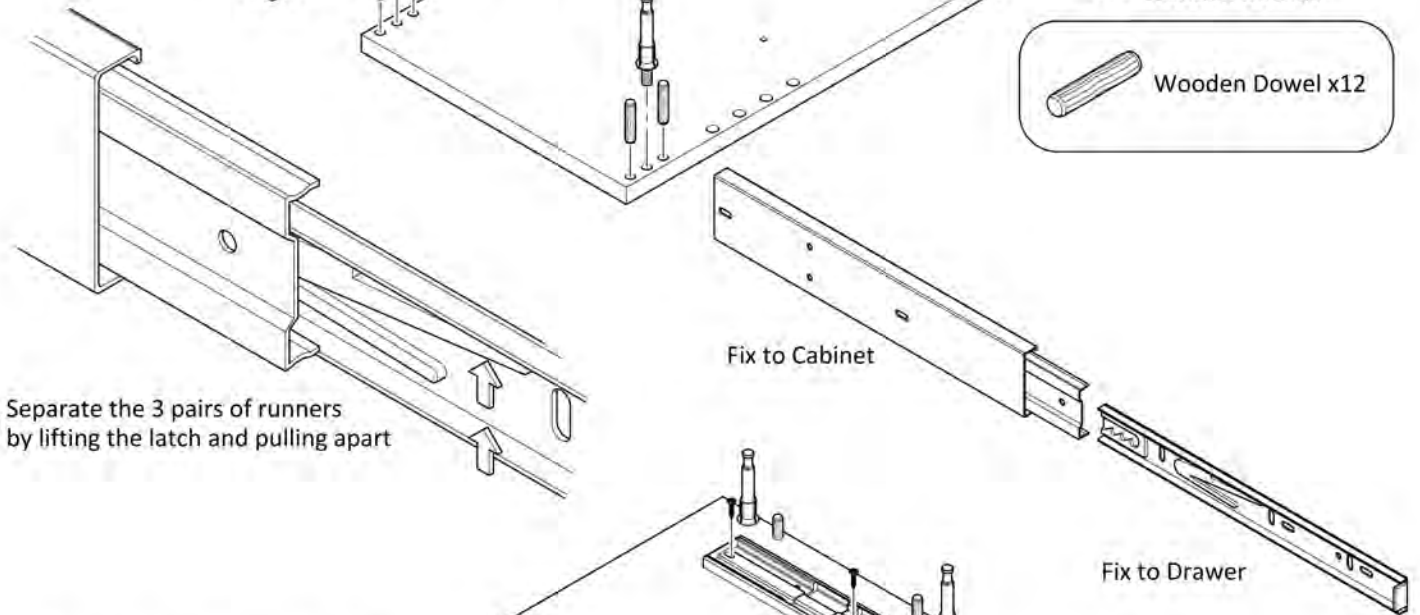
Myplan 600 Drawer Unit



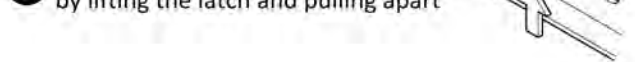
**1** Insert Cam Lock Studs



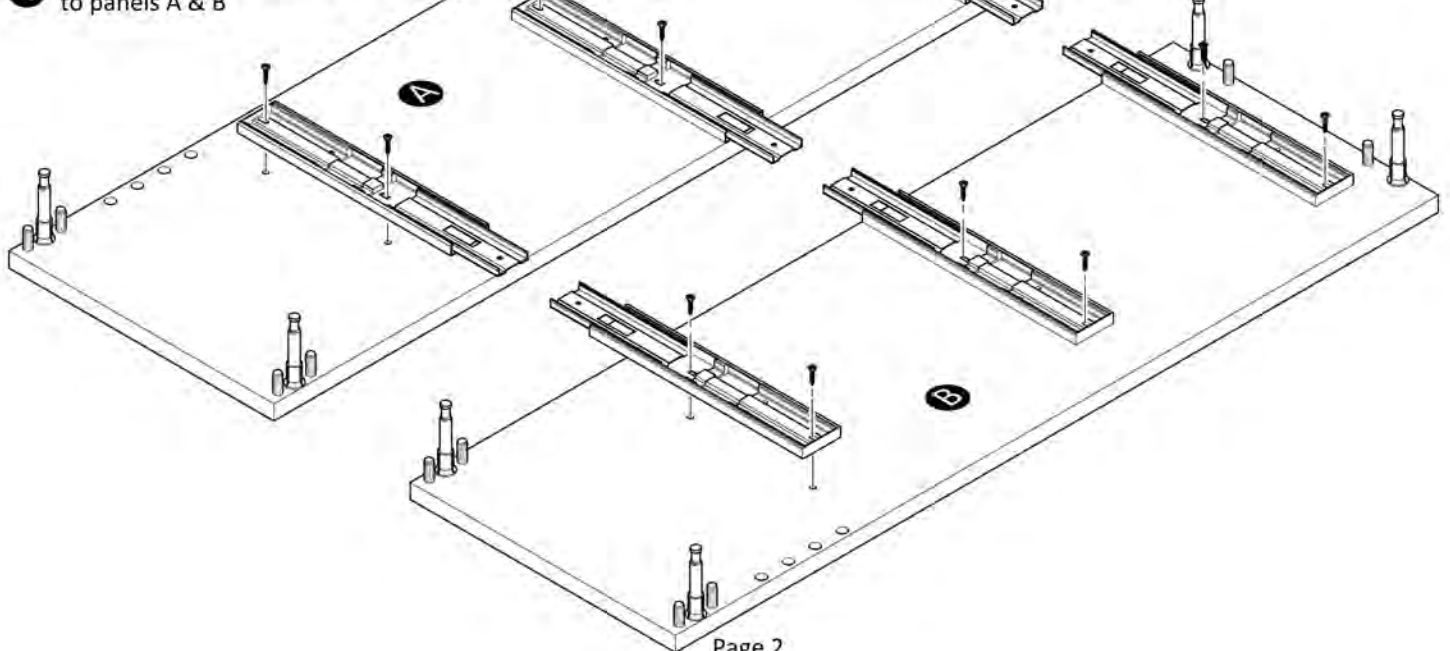
**2** Insert Wooden Dowels



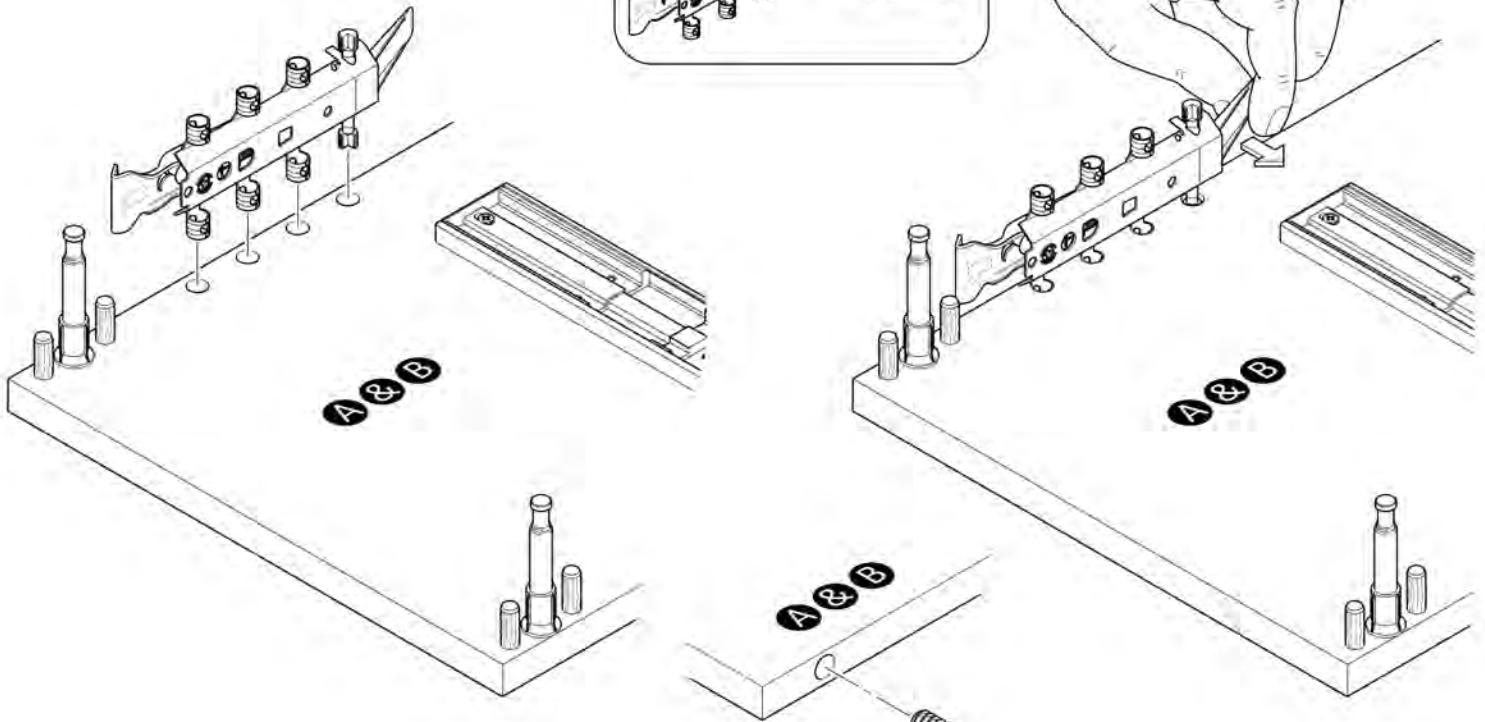
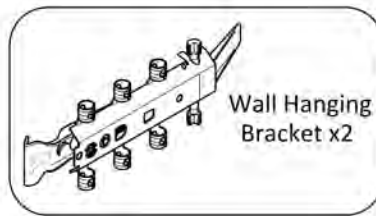
**3** Separate the 3 pairs of runners by lifting the latch and pulling apart



**4** Fix Cabinet part of Drawer Runners to panels A & B



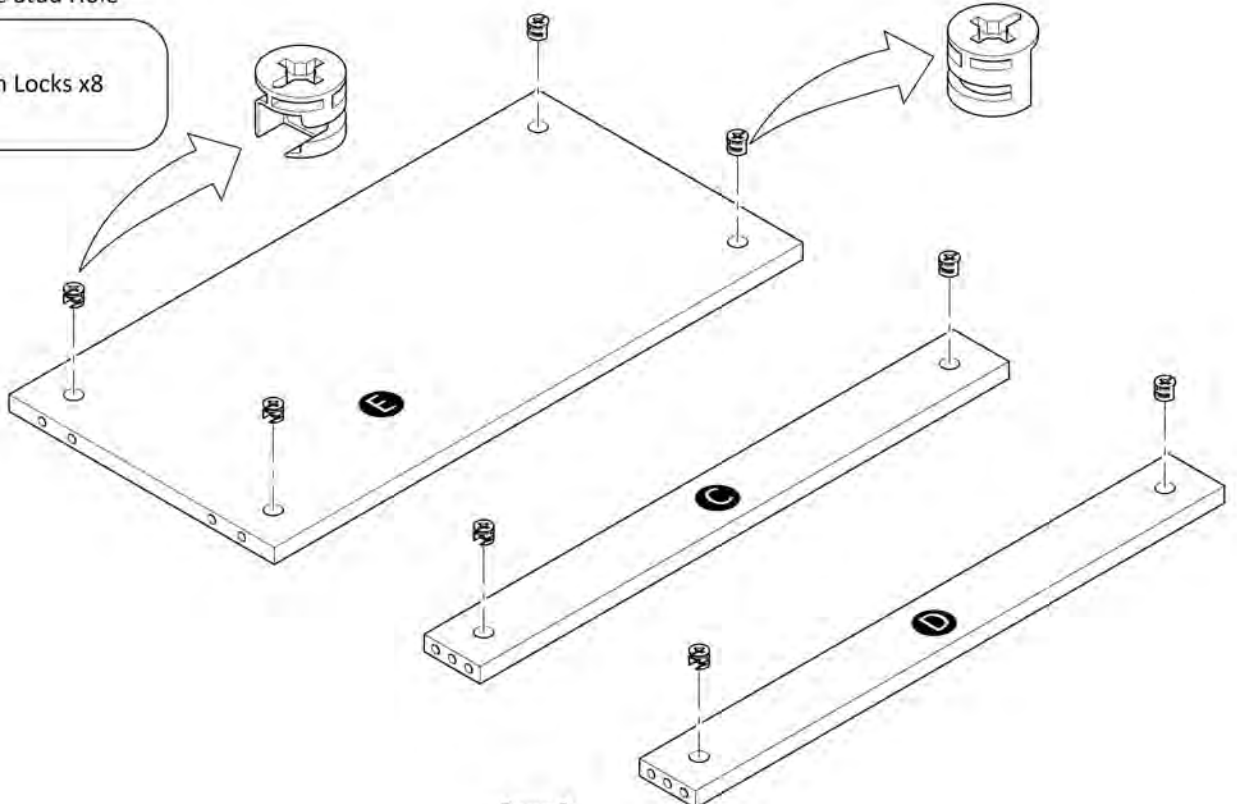
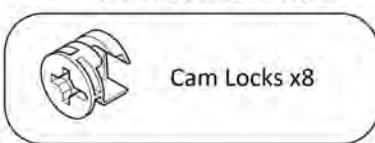
**5** Push the 2 Wall Hanging Brackets into the four holes in each side Panel then flip Lock Tab down to secure

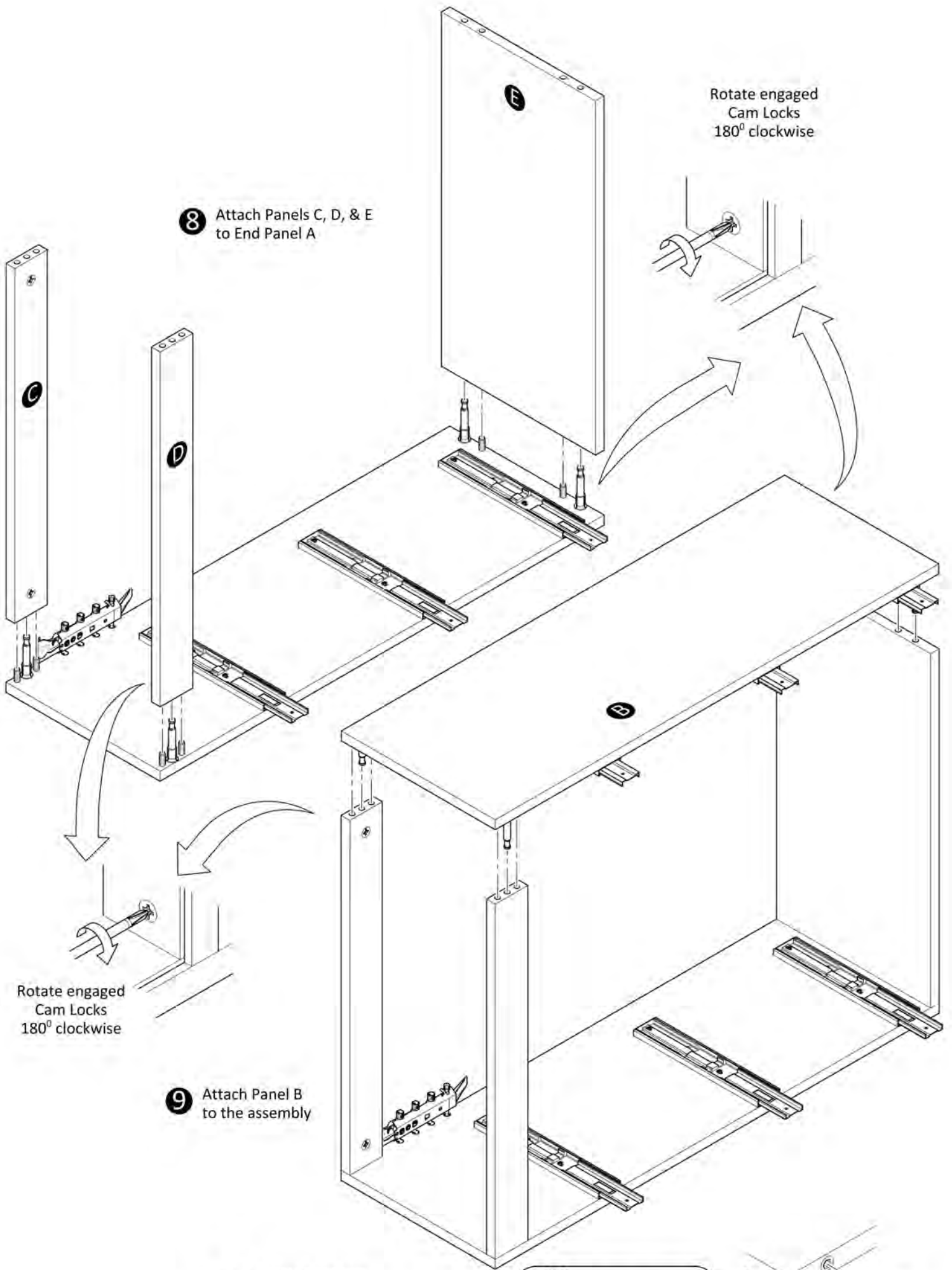


**6** Insert two Height Adjuster Threaded Inserts into the end of both Panels A&B



**7** Insert Cam Locks with arrow pointing towards the Stud Hole





**8** Attach Panels C, D, & E to End Panel A

Rotate engaged Cam Locks 180° clockwise

Rotate engaged Cam Locks 180° clockwise

**9** Attach Panel B to the assembly

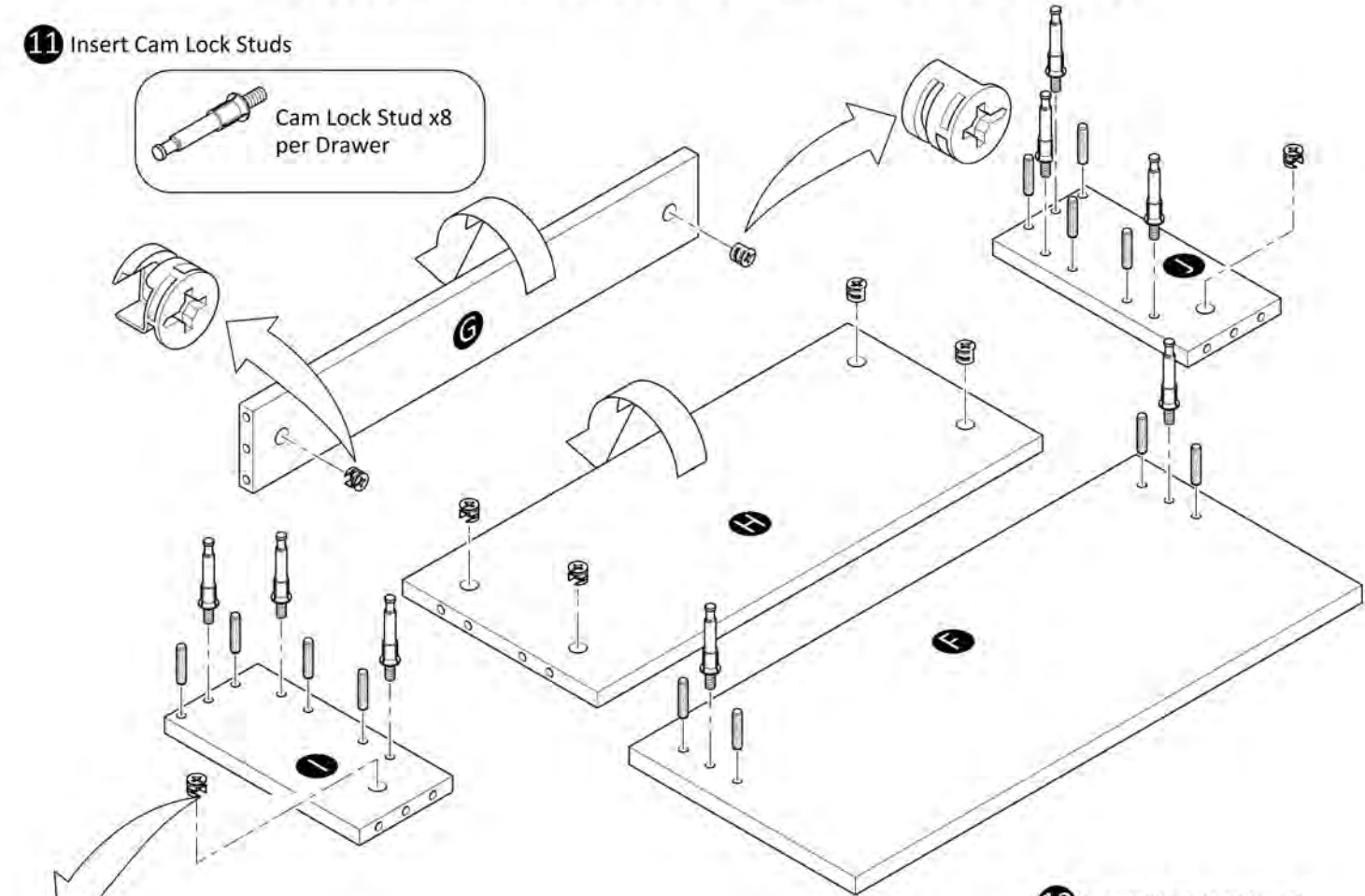
**10** Attach the two Height Adjusting Feet to the Bottom of Panels A & B

Height Adjusting Feet x2

# Assemble all three Drawers

## 11 Insert Cam Lock Studs

Cam Lock Stud x8  
per Drawer

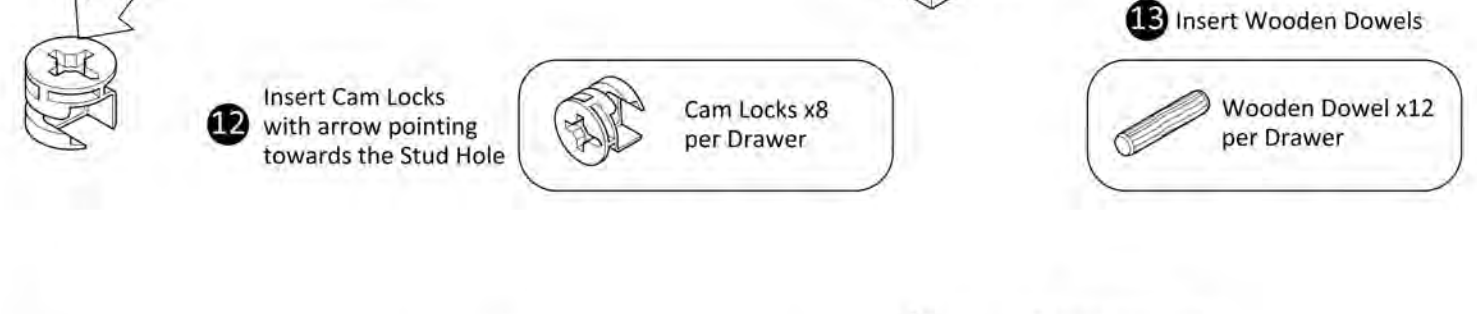


## 12 Insert Cam Locks with arrow pointing towards the Stud Hole

Cam Locks x8  
per Drawer

## 13 Insert Wooden Dowels

Wooden Dowel x12  
per Drawer

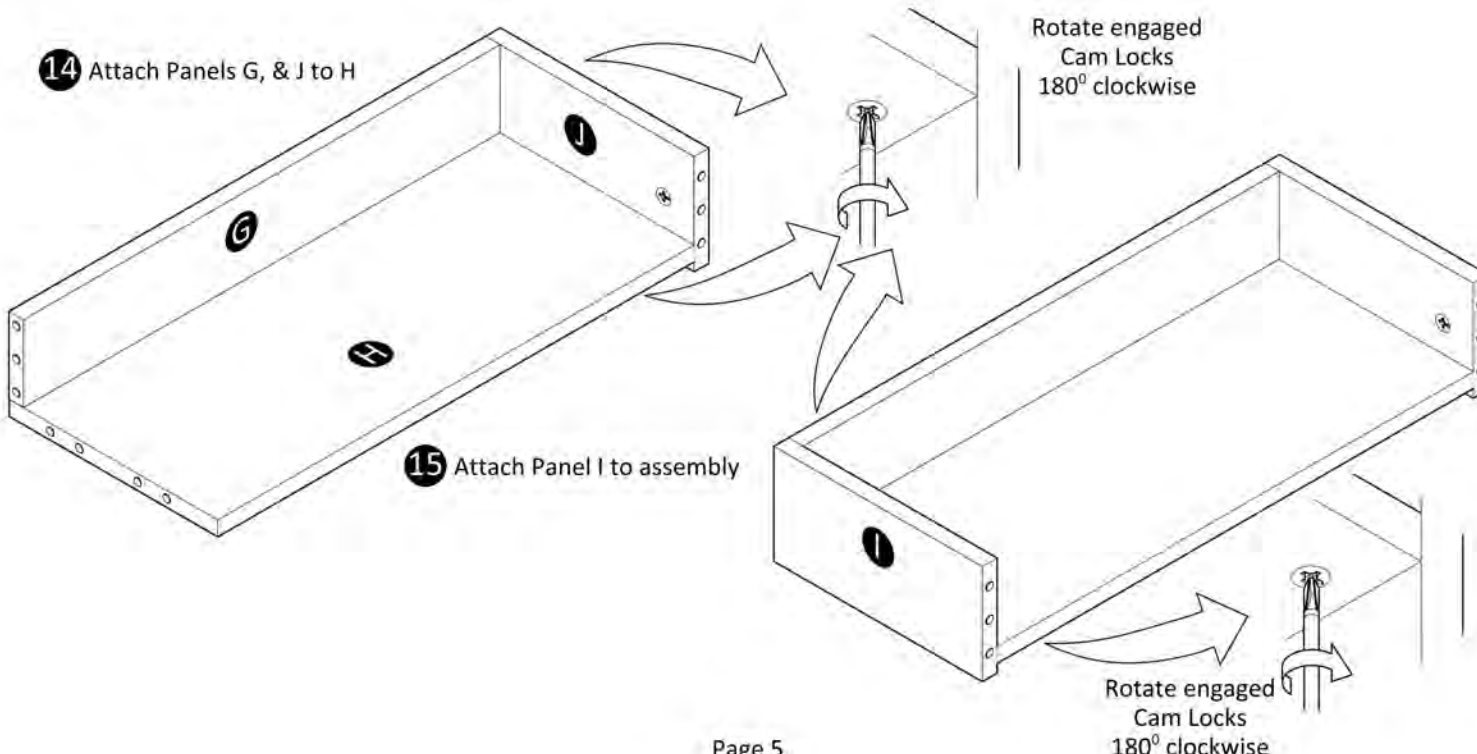


## 14 Attach Panels G, & J to H

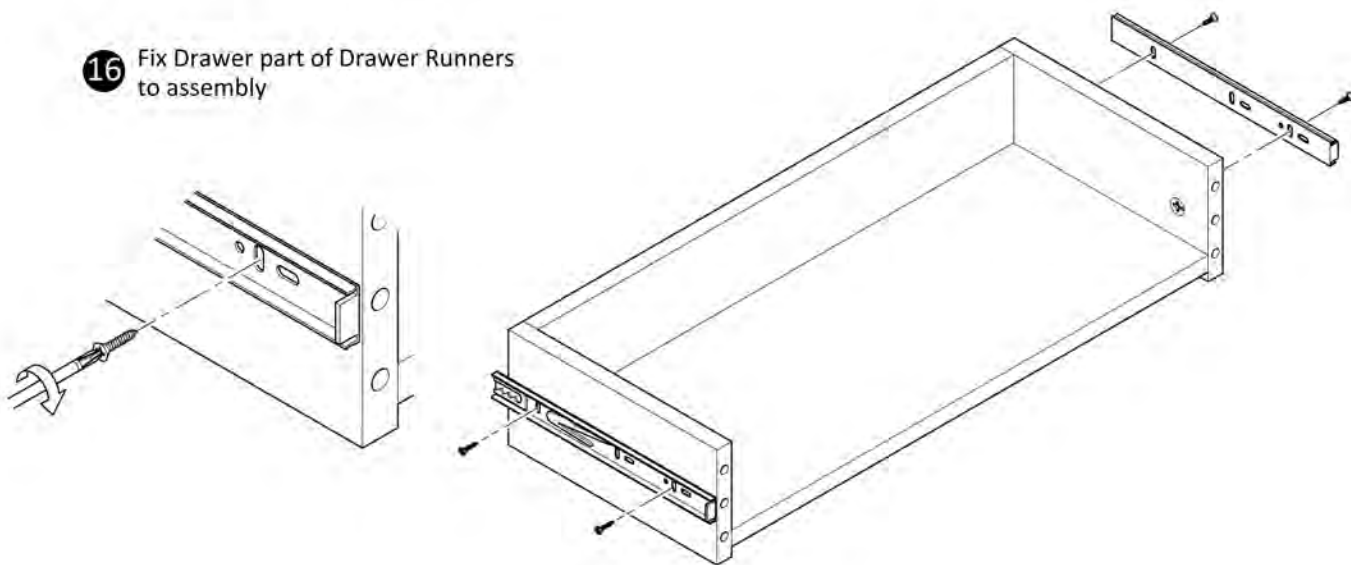
Rotate engaged  
Cam Locks  
180° clockwise

## 15 Attach Panel I to assembly

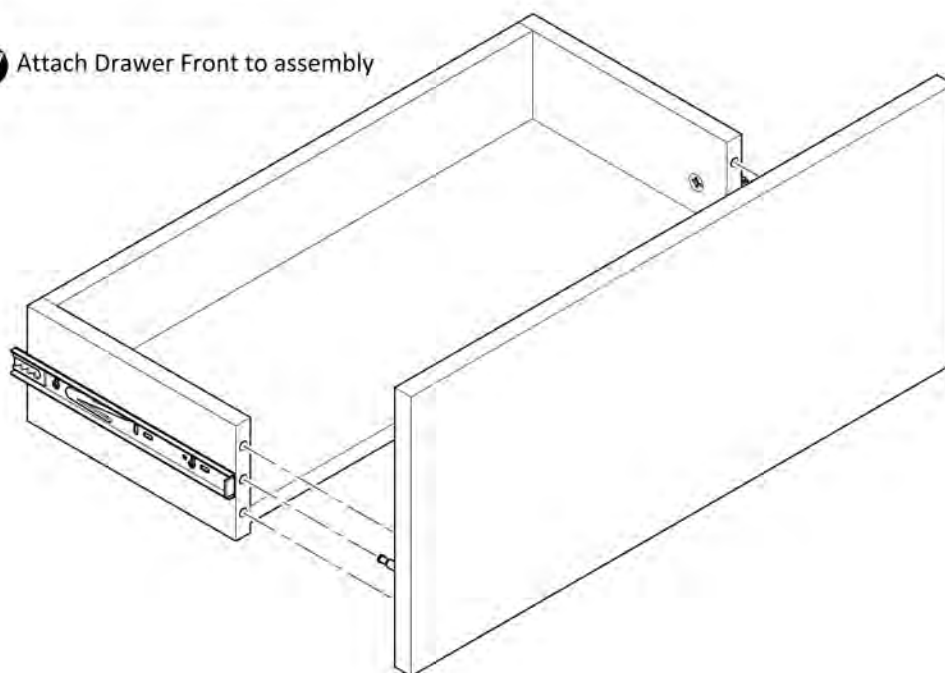
Rotate engaged  
Cam Locks  
180° clockwise



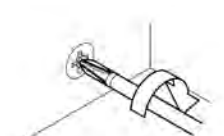
**16** Fix Drawer part of Drawer Runners to assembly



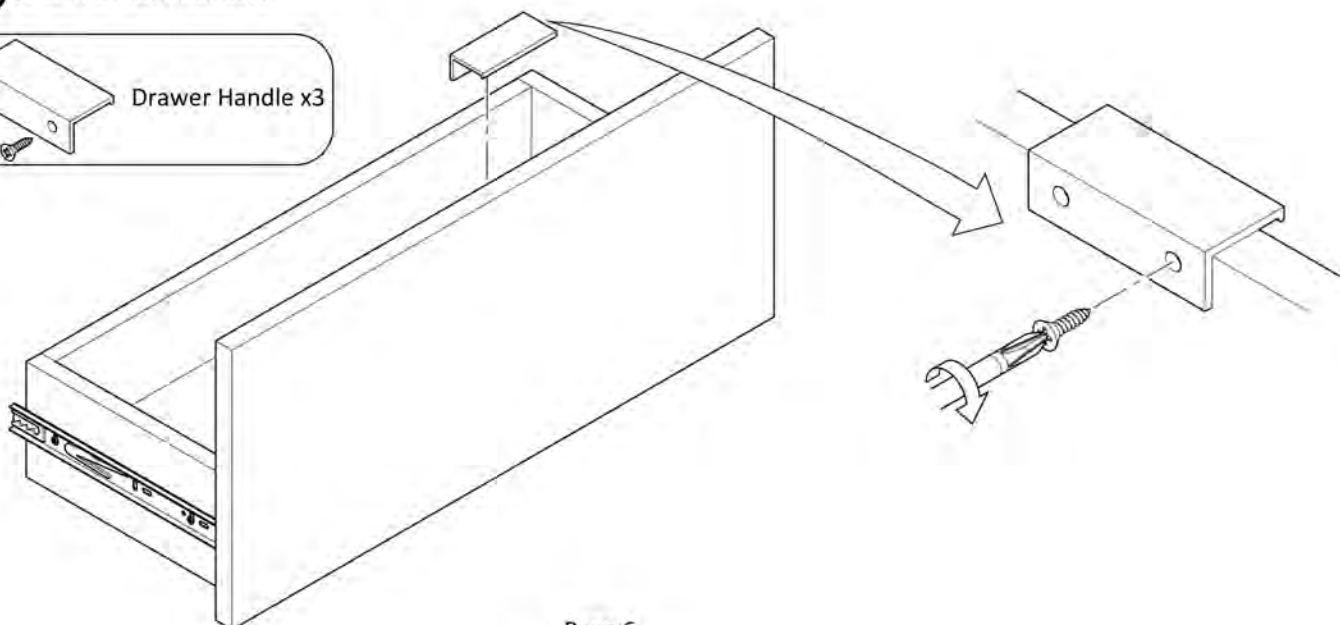
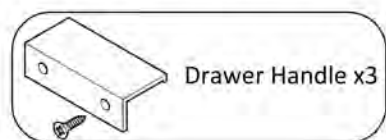
**17** Attach Drawer Front to assembly

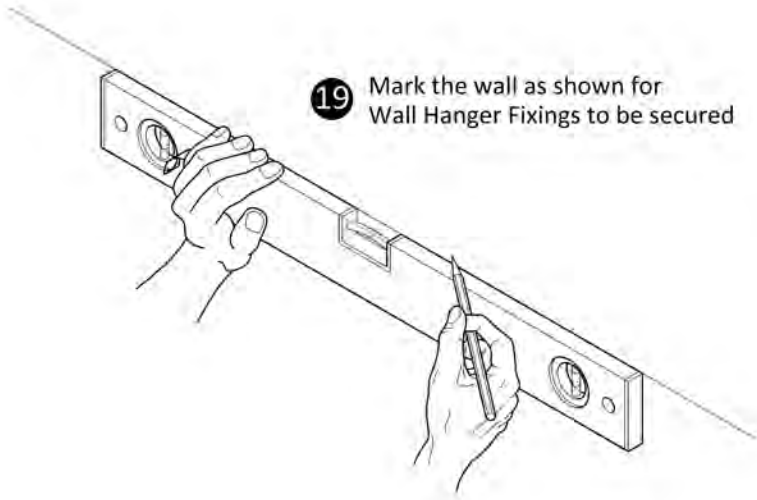


Rotate engaged  
Cam Locks  
180° clockwise

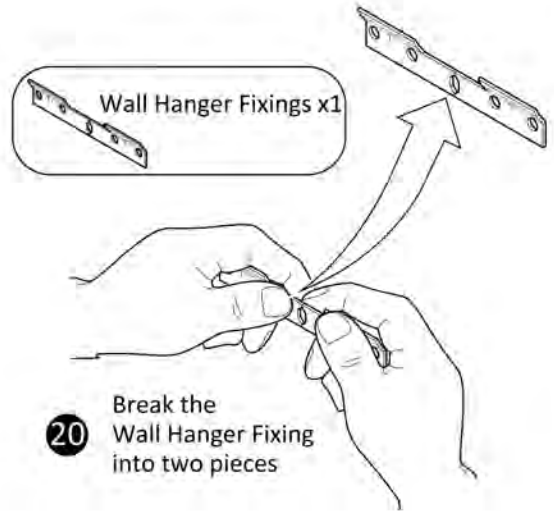


**18** Attach Drawer Handles

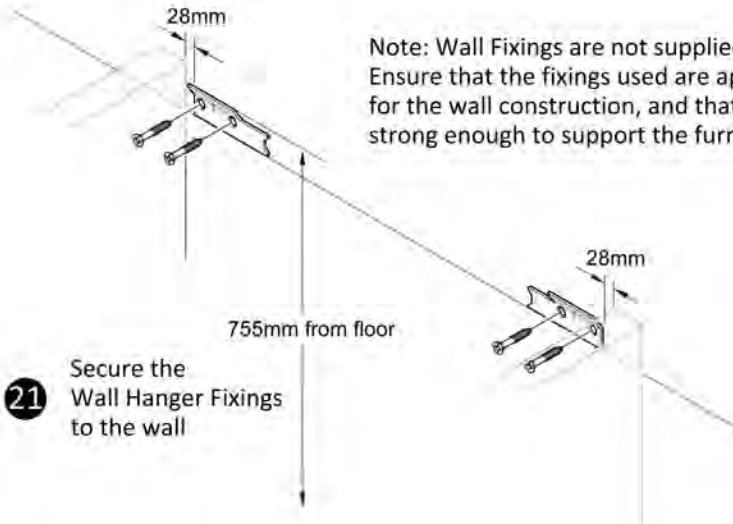




**19** Mark the wall as shown for Wall Hanger Fixings to be secured

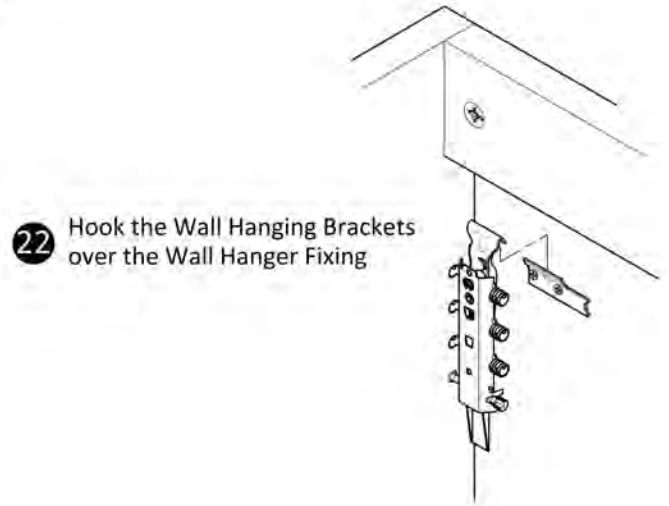


**20** Break the Wall Hanger Fixing into two pieces

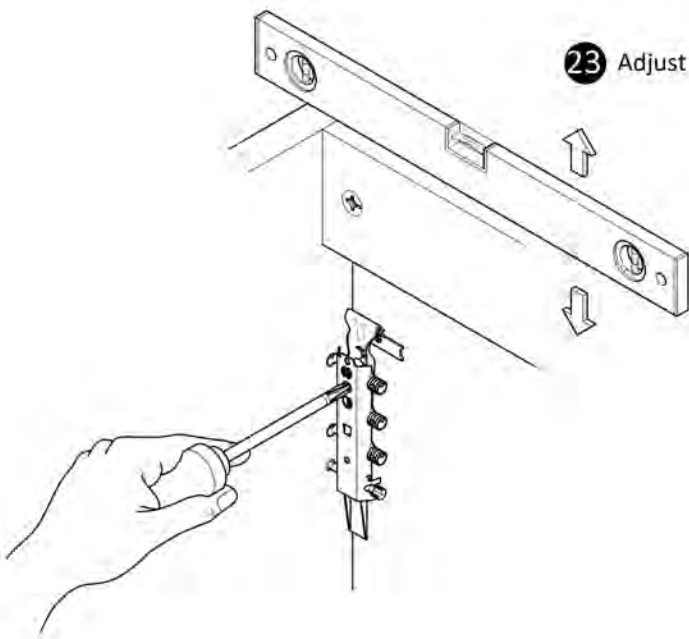


Note: Wall Fixings are not supplied. Ensure that the fixings used are appropriate for the wall construction, and that the wall is strong enough to support the furniture.

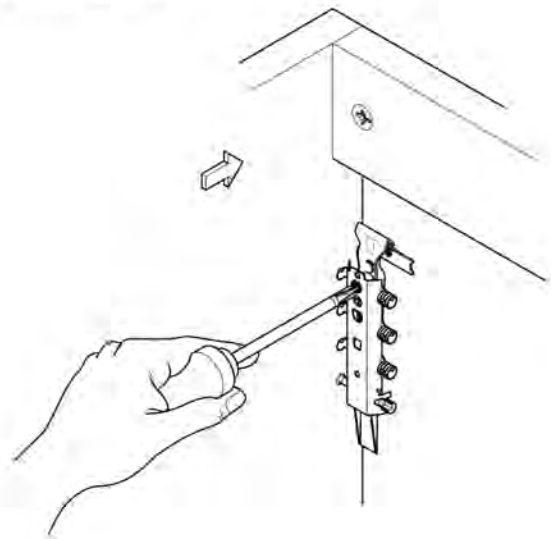
**21** Secure the Wall Hanger Fixings to the wall

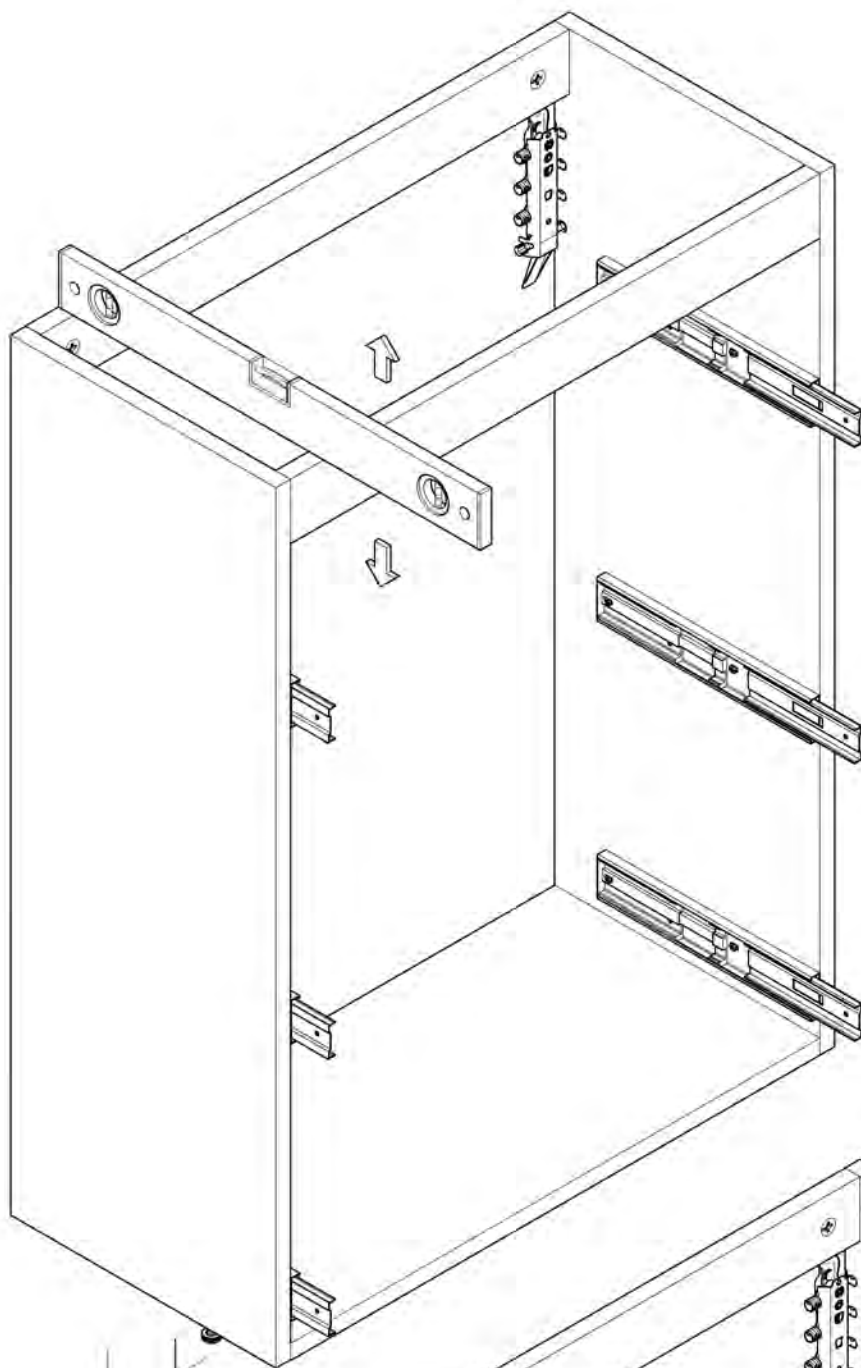


**22** Hook the Wall Hanging Brackets over the Wall Hanger Fixing

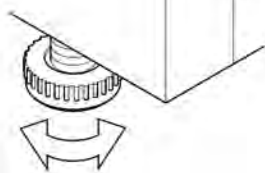


**23** Adjust Drawer Unit as required

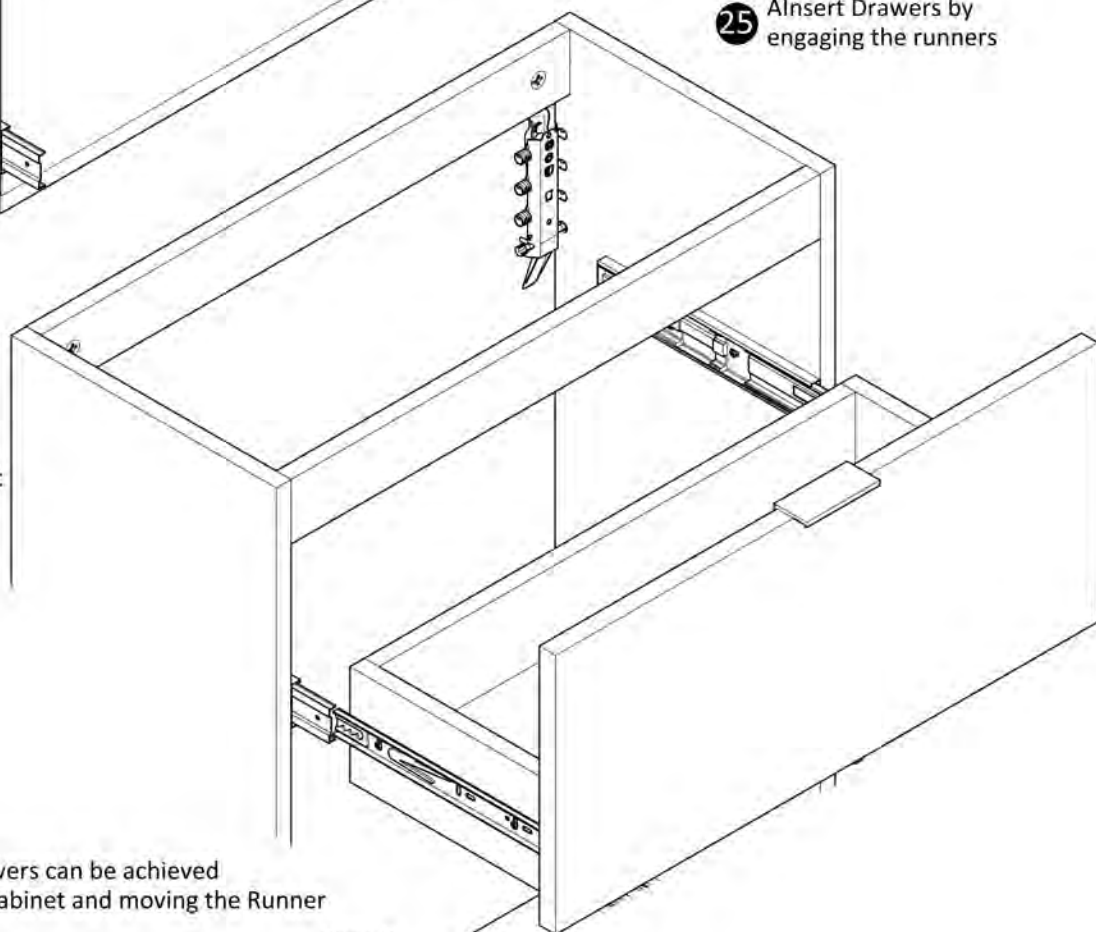




**25** Insert Drawers by engaging the runners

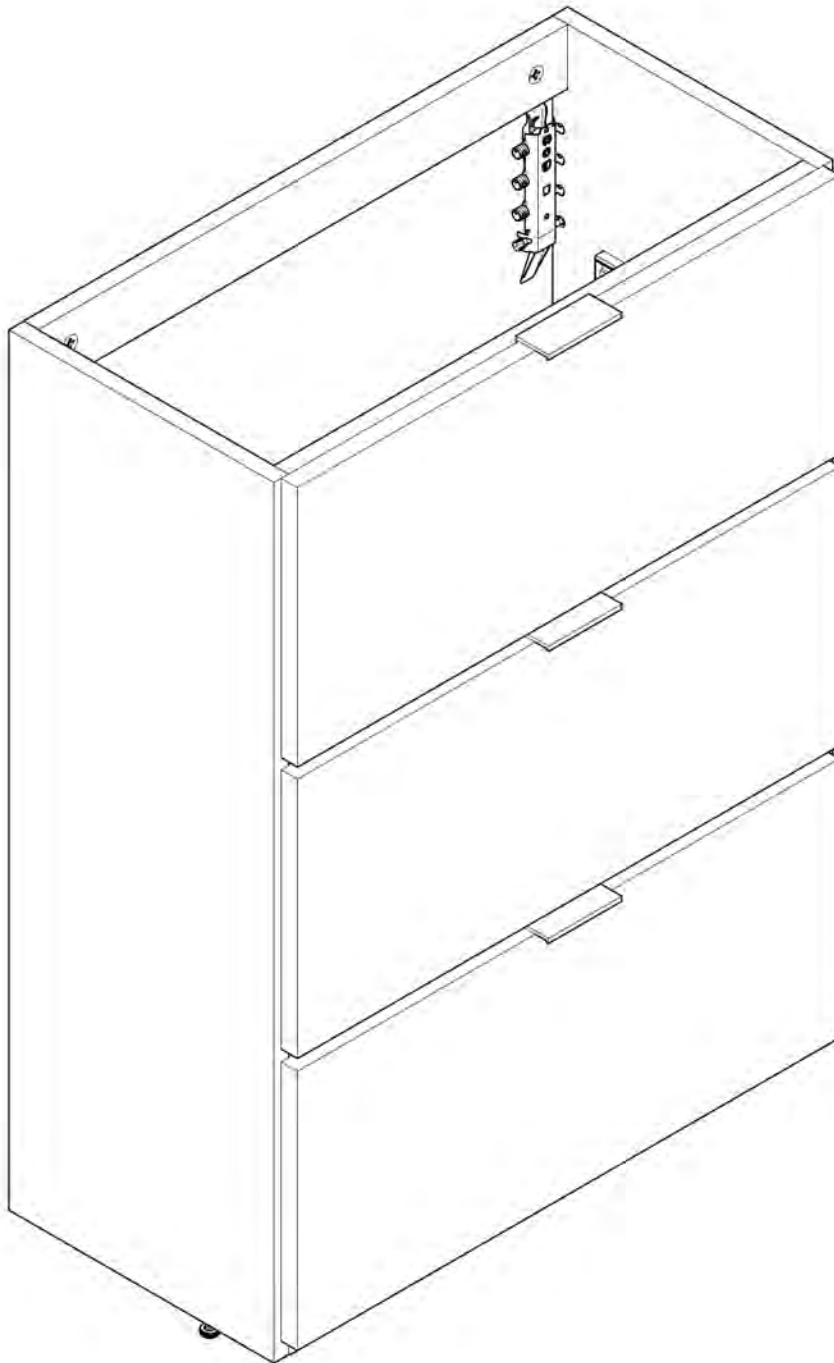


**24** Adjust both Feet until the unit is support on the floor



If necessary realignment of Drawers can be achieved by loosening the screws in the Cabinet and moving the Runner





### **Care and Maintenance**

#### **Please Leave with the householder**

This furniture is made of wood, and has a water resistant finish. It should not be left wet. The quality of the finish is best maintained if it is wiped with a dry cloth after use. It should only be cleaned using a soft damp cloth followed by a dry cloth. Do not use bleach or any abrasive cleaner.