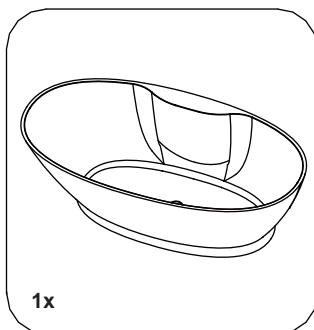


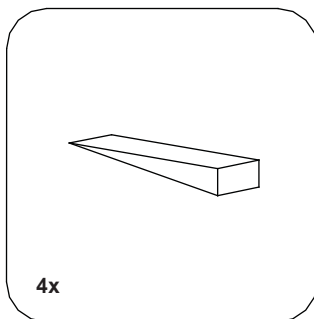
**Parts Supplied:**



**Important**

- Please unwrap the bath and check it carefully to ensure it has not been damaged in handling or transport.
  - Please check that all parts have been supplied.
  - Store the bath in a safe place until you begin installation to avoid damage.
  - Assemble bath on a mat to protect against damage to bath surface.
  - No claims for damages or blemishes will be accepted once the bath has been installed.
  - We recommend that you do not remove your old bath until you have unpacked and inspected the new one. Please contact your local store if you have any concerns.
  - Any installation should be carried out by a qualified tradesman with knowledge of statutory plumbing requirements in your area.
  - This product requires a two person lift – use proper lifting techniques.
  - The entire base of the bath must be fully supported by the floor to prevent the bath becoming damaged through stress. To achieve this please ensure that the floor is completely flat.
  - If an overflow hole or tap holes are drilled onsite, please refer to the template and ensure that proper tools (diamond hole saw is recommended) are used in drilling.
- Bathstore cannot accept responsibility for incorrectly cut holes.

**Parts Required:**



**Care and Maintenance**

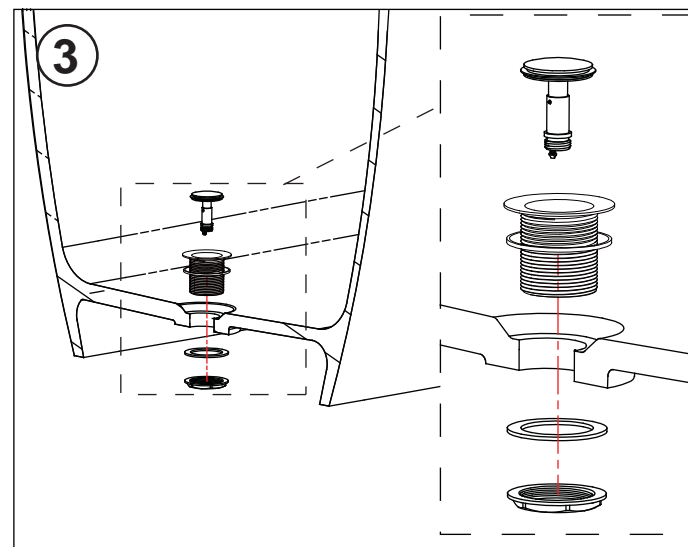
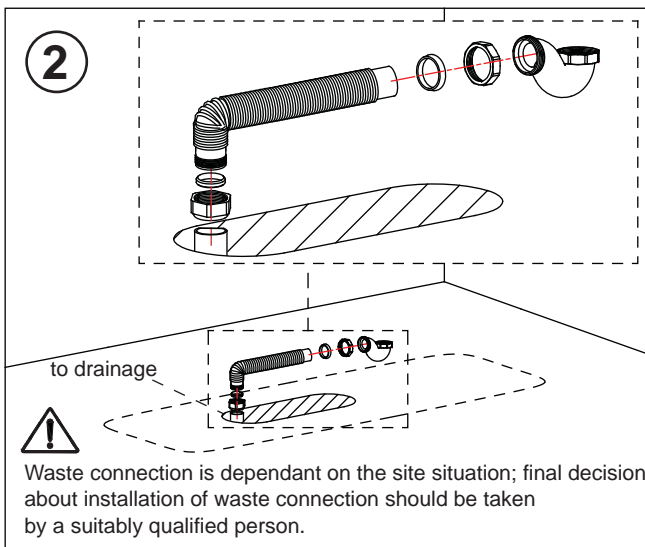
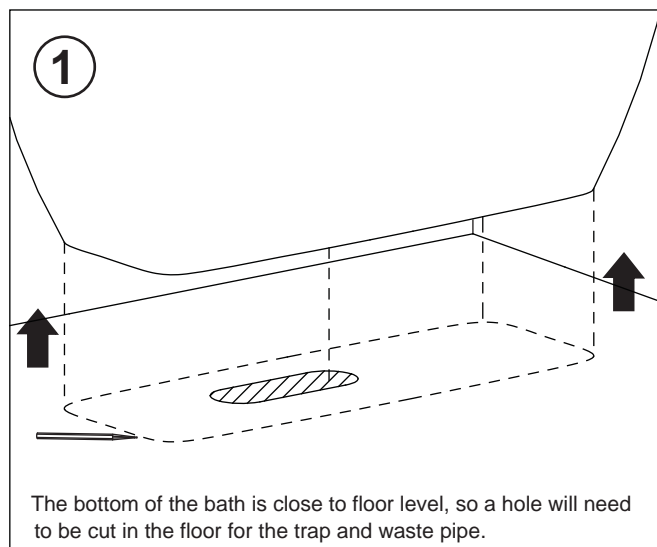
Repairing a scratch: If any scratches occur during installation these can be removed by rubbing with a 1500+ grit waterproof abrasive paper and water. Re-polish the surface afterwards using a neutral automotive colour restorer or household metal polish. For best results limit sanding to the smallest possible area around the scratch. It may be possible to polish very fine scratches away without using abrasive papers: scrubbing gently with a soft brush or plastic pad (not metal scouring pad) and a mildly abrasive cream cleaner. Afterwards scrub the whole area with plenty of clean water and re-polish as before.

**Everyday cleaning**

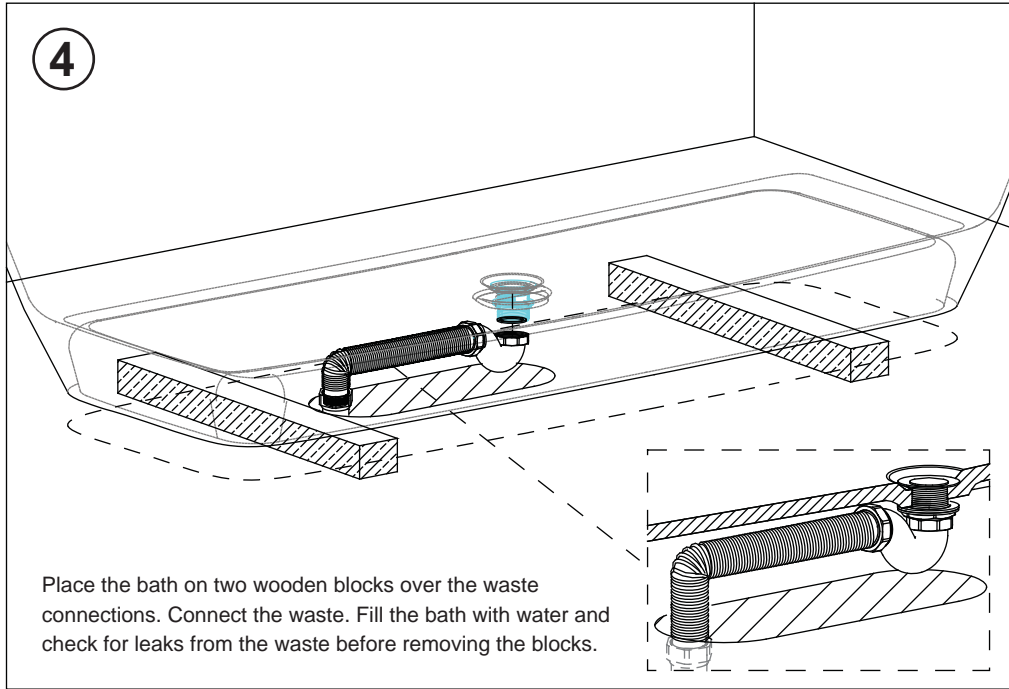
We recommend a non-abrasive bathroom cleaner.

**Warning**

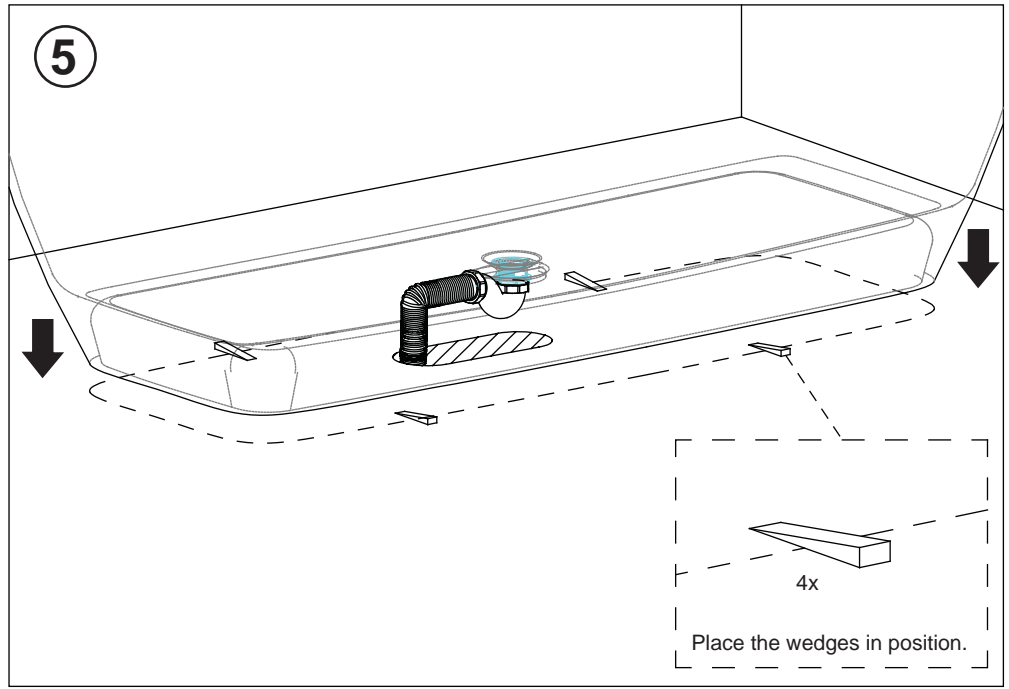
Never use cleaners / bleach products specifically manufactured for WC bowl cleaning as they may damage your bath. Hair dye can stain the surface of the bath. We recommend that dye is not applied in, or over, the bath. Nail varnish can rub off on to the surface and is difficult to remove.



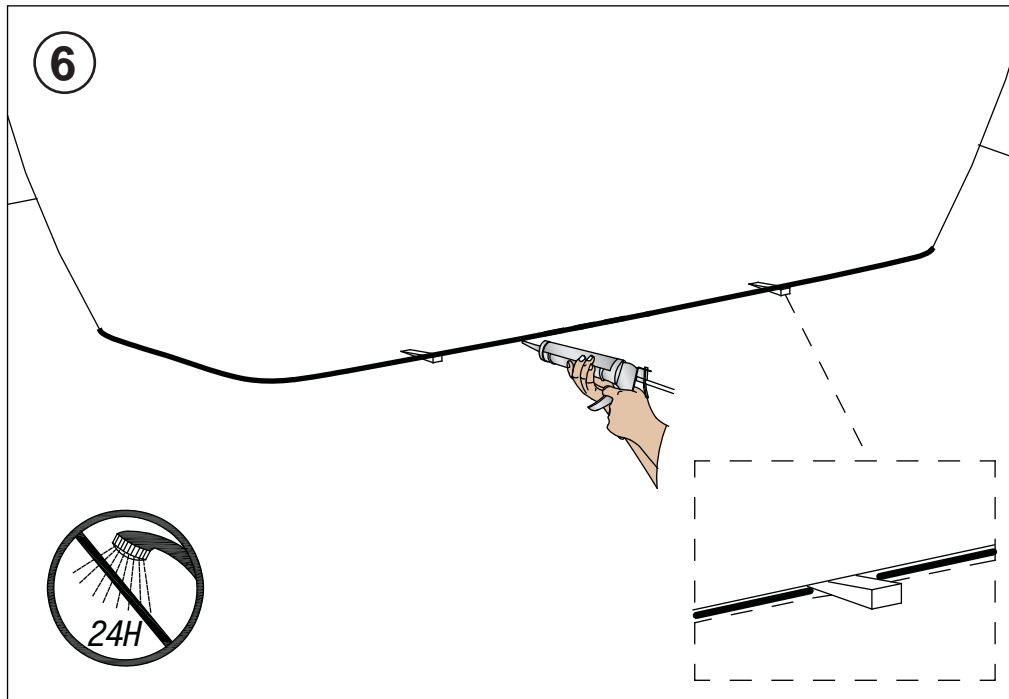
4



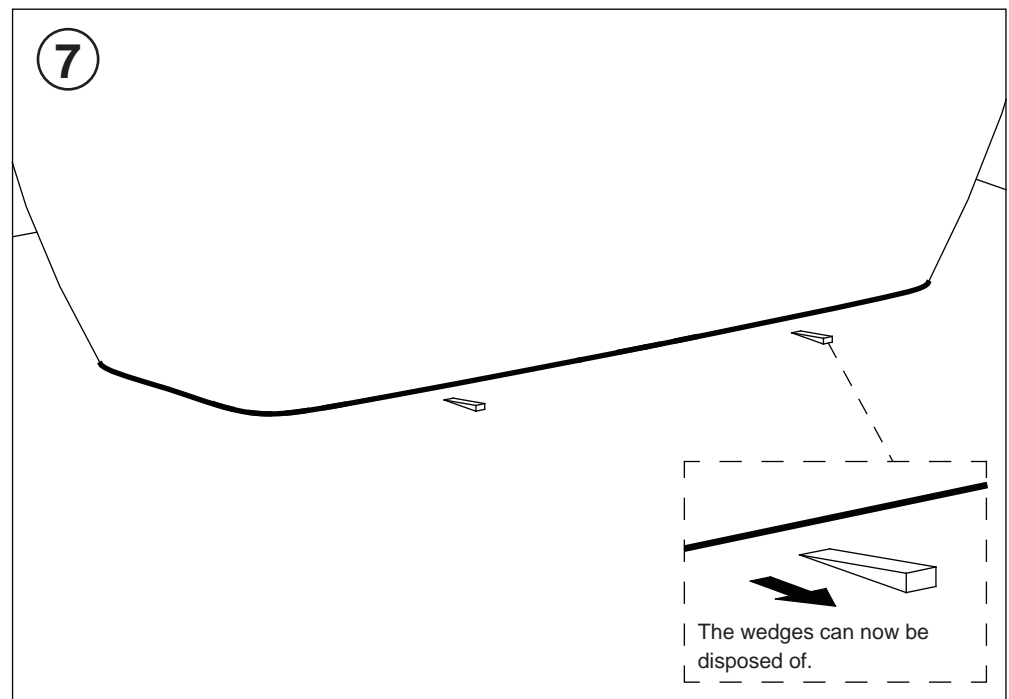
5

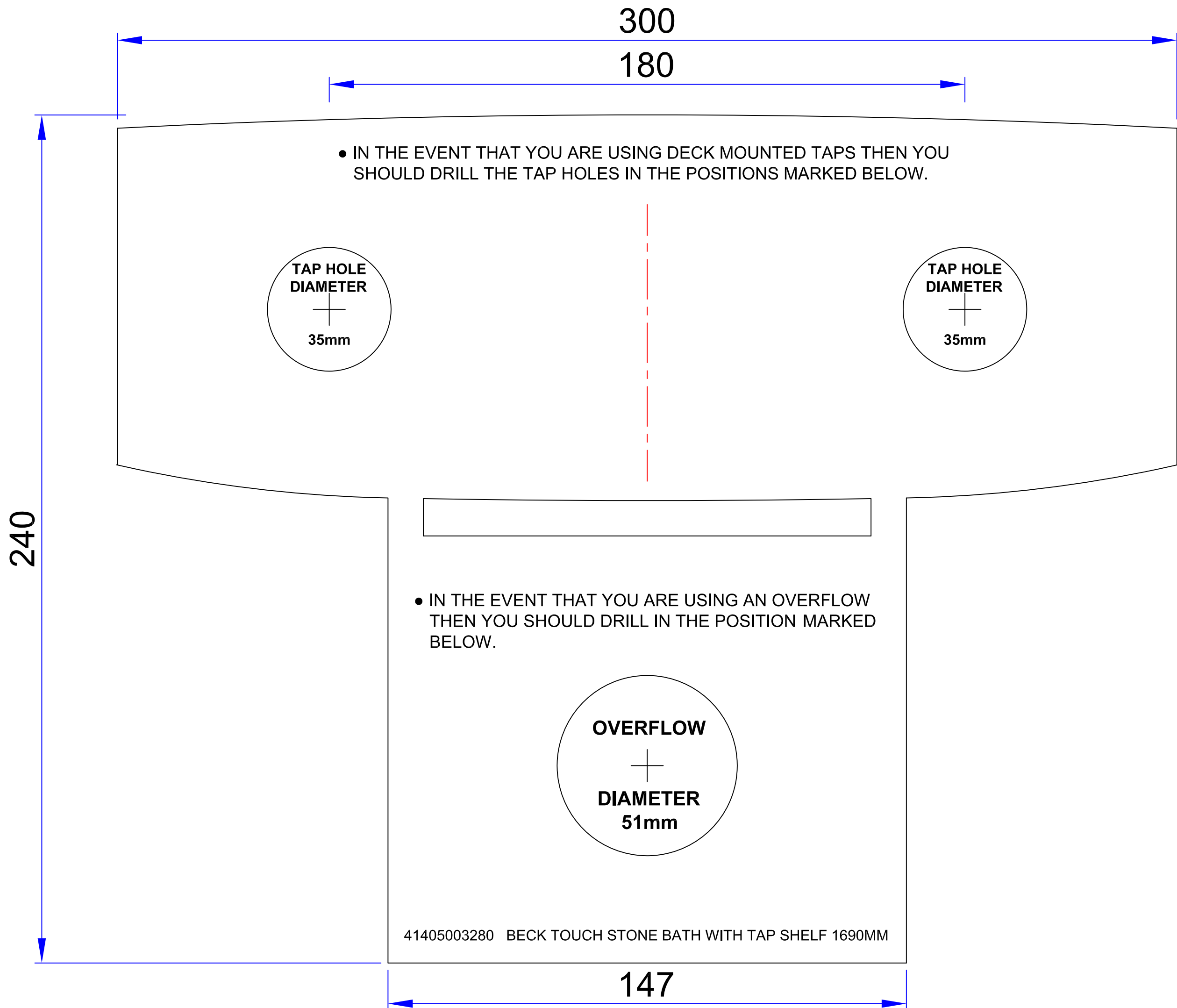


6

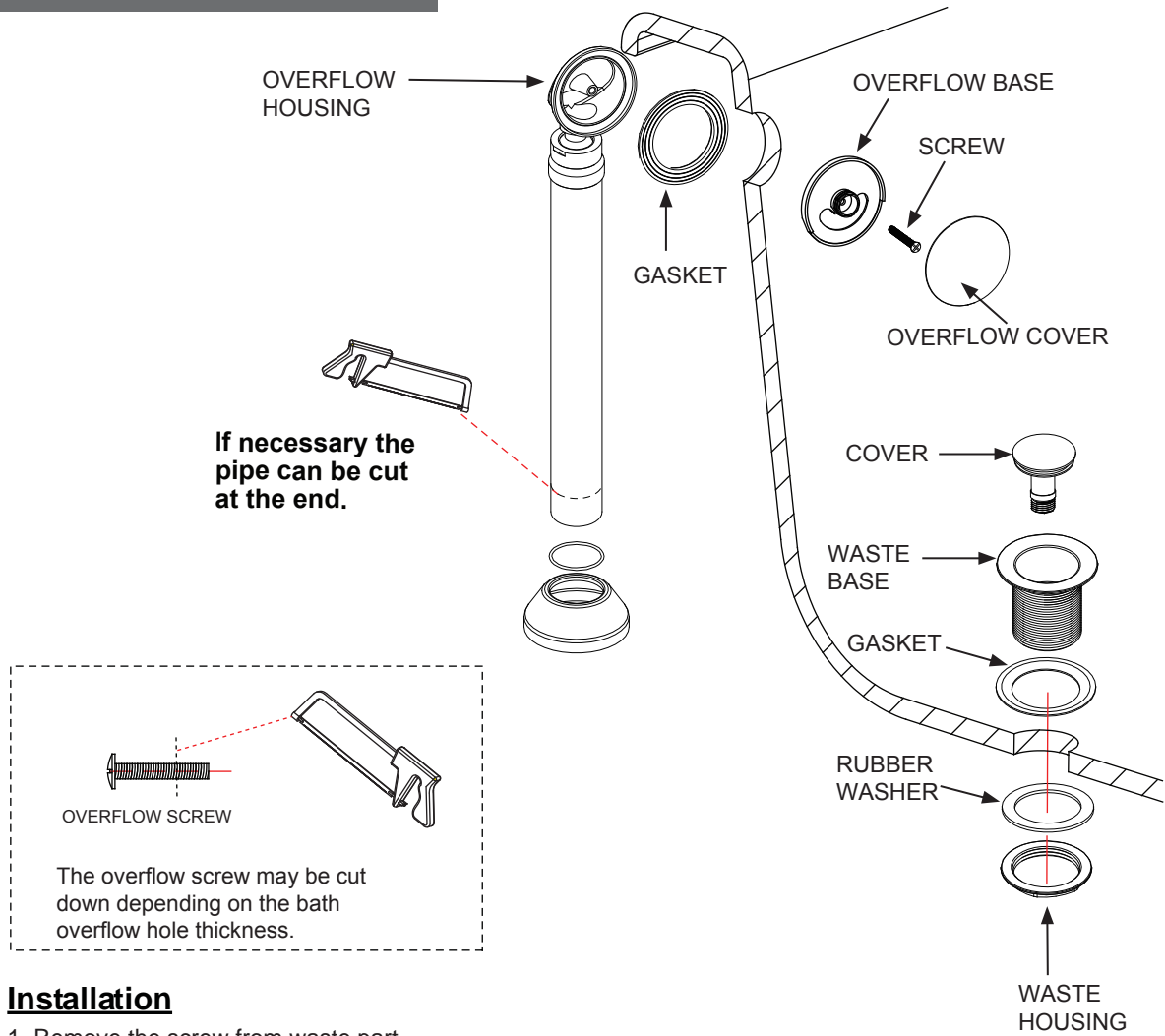


7





41500080103



## **Installation**

1. Remove the screw from waste part.
2. Put the waste base and gasket into the bottom waste hole of bath. Place the rubber washer and waste housing onto the waste from the backside of bath in sequence.
3. Tighten all the above elements together with the waste screw.
4. Take off the screw from the overflow part.
5. Put the gasket into overflow housing. Then hold this unit in position from the backside of the bath.
6. Place the following items onto the overflow housing in sequence: overflow cover , ceramic annulus and overflow base.
7. Tighten all the items together with the overflow screw.

## **Maintenance**

The waste components should only be cleaned with warm soapy water or a mild detergent. Do not use abrasive or chemical products.

## INSTALLATION INSTRUCTIONS



For any further information please contact Bathstore on: **08000 23 23 23**

Or visit our web-site at [www.bathstore.com](http://www.bathstore.com)  
The manufacturer reserves the right to make technical modifications without prior notice.