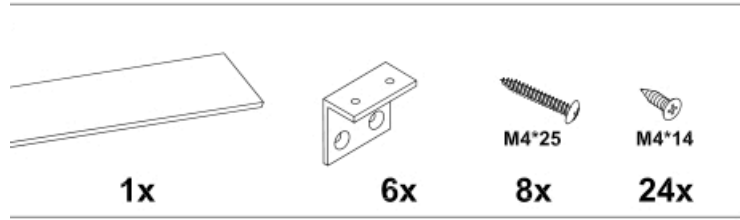
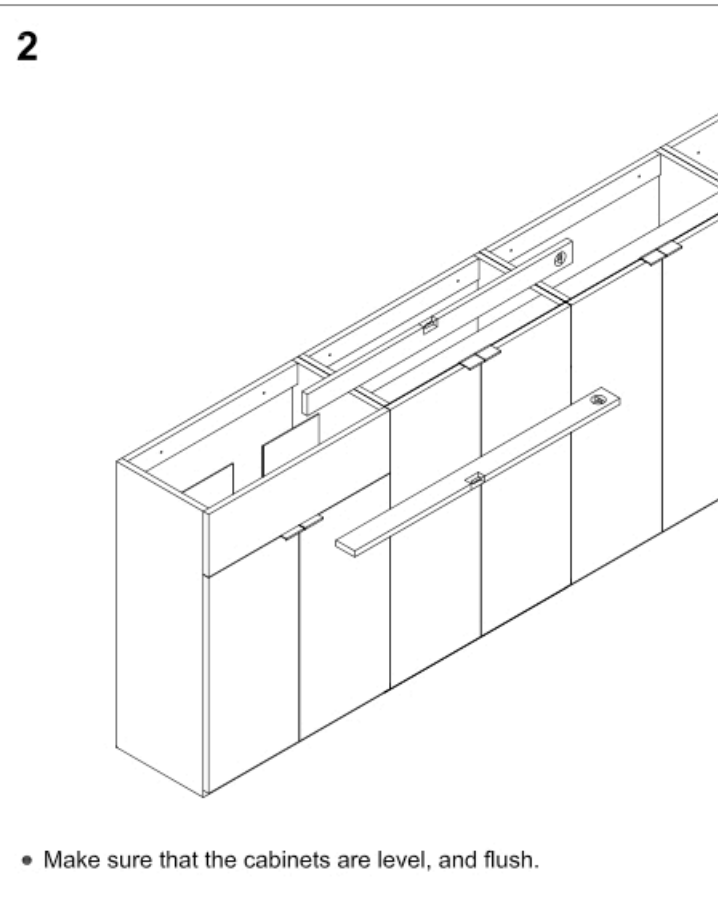
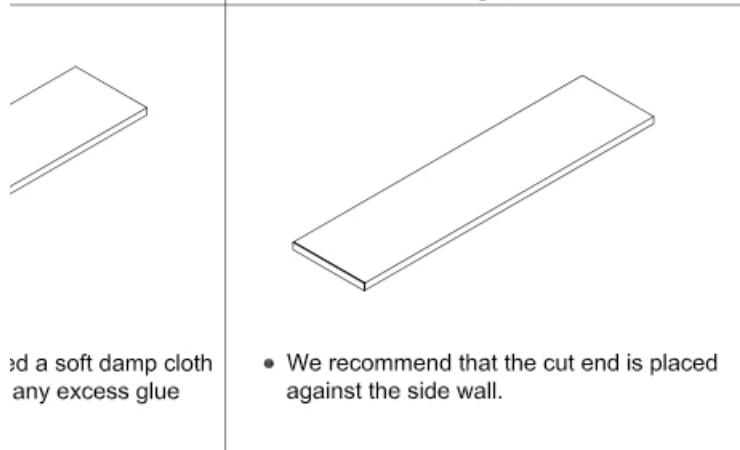
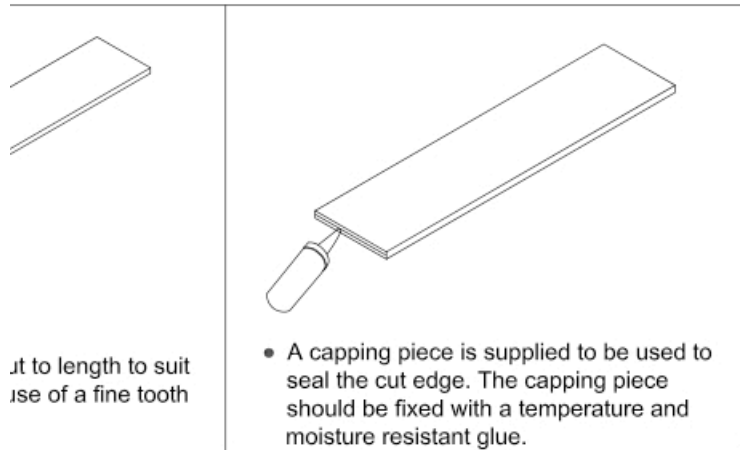


# 00 Countertop Instructions

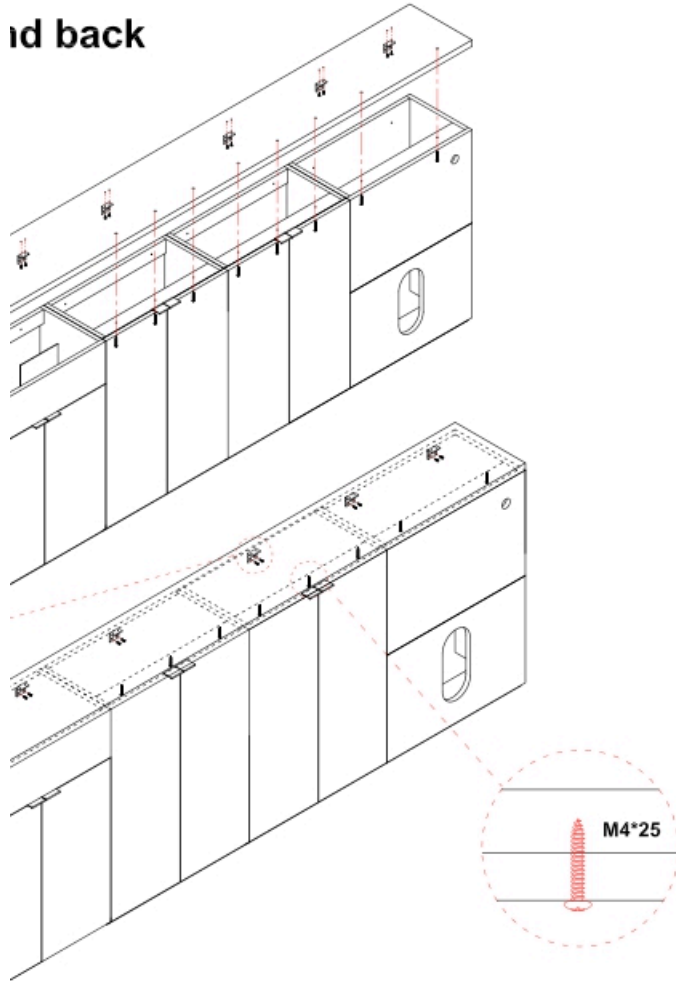
Protective film on the front and side panels, please remove this film after installation.



## Tools Required

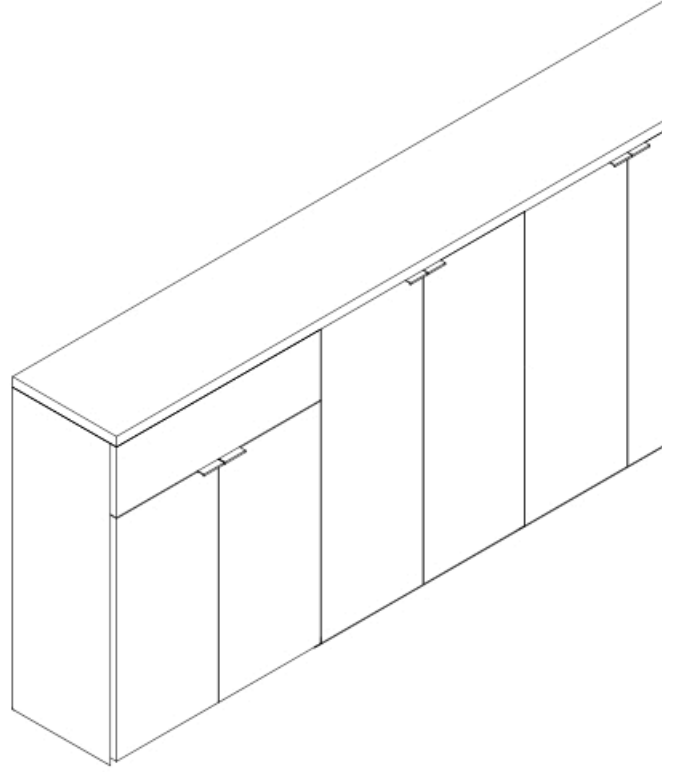


id back



are run use the brackets and fixing screws to secure the countertop  
 i.  
 antertop is firmly secured to the furniture carcass both front and back.

4



- The countertop should be cleaned using a soft damp cloth with a use any abrasive agents.

ICE

ouseholder

wood, and has a water resistant finish. It should not be left wet. The quality of the finish is best maintained if it is wiped  
 oe cleaned using a soft damp cloth followed by a dry cloth. Do not use bleach or any abrasive cleaner.