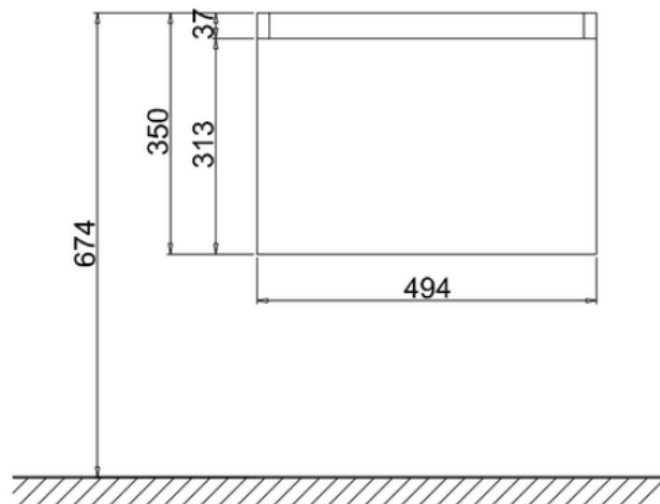
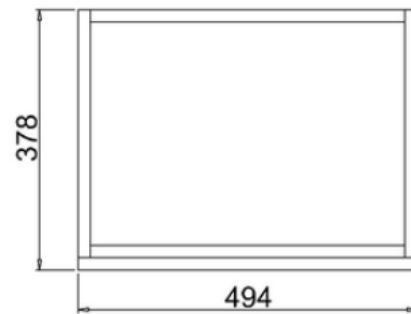
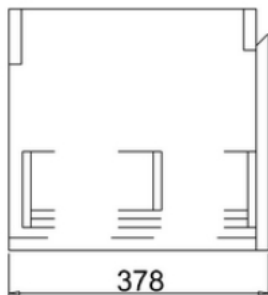




**bath
store**

**MINO OAK 500 BASIN
DRAWER UNIT W500 H378
D350**

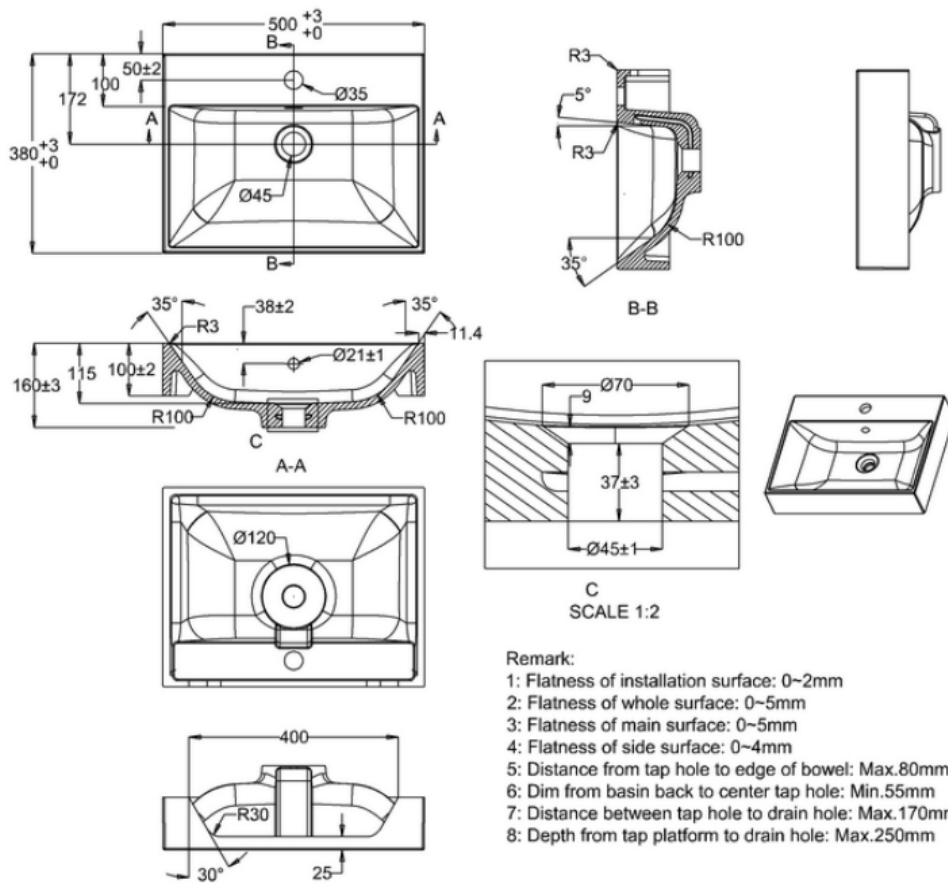
Note:
th, width, height dimension
tolerance is ± 5 .
dimension tolerance is ± 2 .





**bath
store**

ARCHIVE 500 BASIN ONE TAP HOLE WHT BNT-538



The flatness tolerance should be with in 1.5mm