

INSTALLATION INSTRUCTIONS

For any further information please see
our website www.bathstore.com
for any assistance

The manufacturer reserves the right to make technical
modifications without prior notice.

INTRODUCTION

Please read these instructions carefully and keep in a safe place for future reference.

General Installation Requirements

The installation must comply with regulations of the Local Water Authority as contained in their bylaws. All of the taps in this range are single flow (the hot and cold water mix in the body) and should therefore be supplied with hot and cold water at balanced pressures, both from the tank or both from the mains (via a combination boiler for example). If the taps are not supplied at balanced pressures then the mixer will not function correctly. It will also be necessary to fit non-return valves on both hot and cold feeds. It is very important that all pipework is flushed thoroughly after installation to avoid damaging the ceramic discs.

Minimum/Maximum working pressure

These taps are suitable for high and low pressure installations. To ensure that the mixer works adequately under low pressure, the cold water storage tank should be at least 2 metres above the highest installed position. The maximum water pressure is 6 bar (note: mains cold water is normally supplied at between 2 and 3 bar).

For installations where the mains pressure exceeds 6 bar a pressure reducing valve should be fitted.

All the taps are fitted with a flow straightener for use in low pressure installations.

Approvals

All products are manufactured using materials tested and approved under the Water Bylaws Scheme and comply with requirements of BS EN 200 where applicable.

Preparation and byelaw requirements

These taps are single flow so the hot and cold water mix in the body. Water byelaws require that where the hot water is supplied from a tank and cold from the mains, non return valves are fitted on both hot and cold pipes as close as possible to the tap. These are not supplied. Where combination boilers are fitted it is only necessary to shut off the incoming mains and turn the boiler off and non return valves are not required.

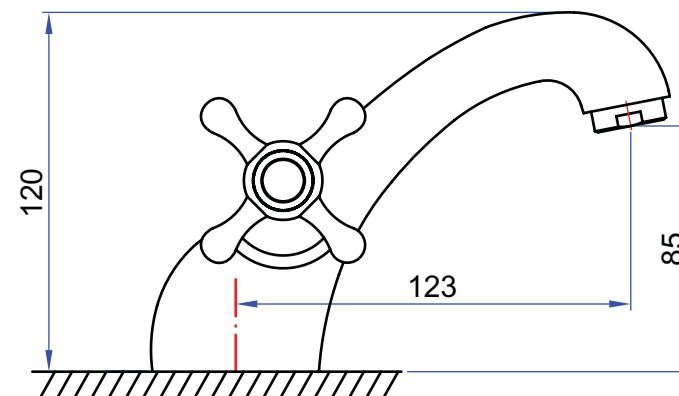
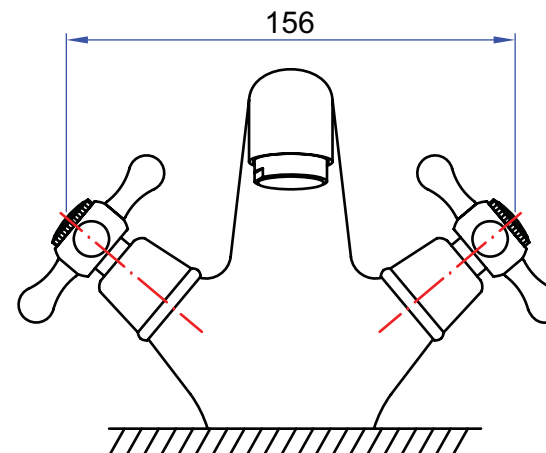
WARNING

Before installing the new mixer it is essential that you thoroughly flush through the supply pipes in order to remove any remaining swarf, solder or other impurities.

Failure to carry out this simple procedure could cause problems or damage to the workings of the mixer.

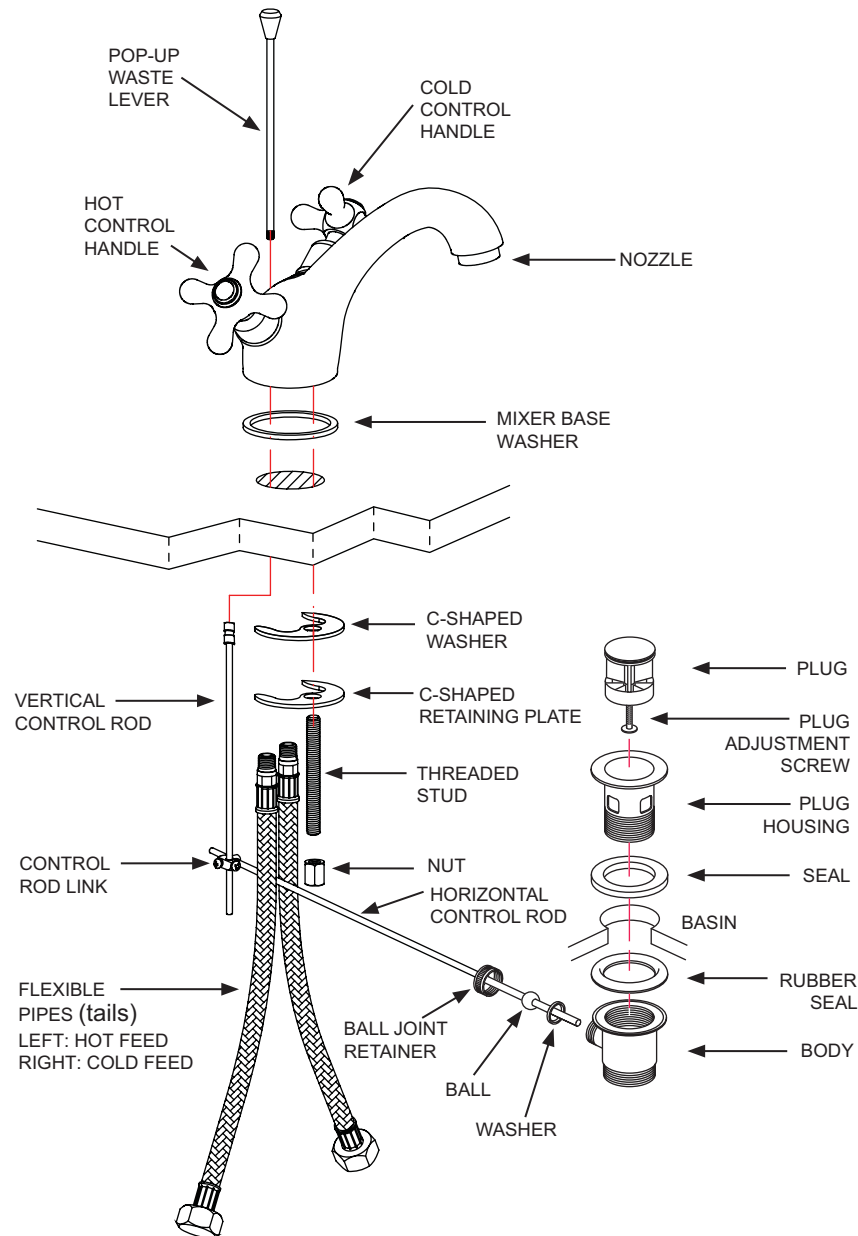
These hints have been prepared for your guidance, you must exercise due care at all times. We do not accept responsibility for any problems that may occur through incorrect installation.

DIMENSIONS



NOTE: ALL DIMENSIONS IN MILLIMETRES

INSTALLATION



INSTALLATION

First shut off your water heating system then, with your mains stop cock closed, open the lowest hot and cold taps in the house and allow to run until the cold storage tank and pipes are empty (the hot water storage cylinder always remains full).

Fitting isolating valves to the inlet feeds is recommended for ease of maintenance.

INSTALLATION

 **Remember to turn off the mains water supply before connecting to any existing pipe work.**

Mixer.

Fit the mixer base washer into the groove in the underside of the mixer, screw the flexible pipes into the mixer body, and fully hand tighten. Place mixer in position to see if any alteration to the existing supply pipe work is necessary, make any necessary alterations to the pipe work.

Remove the nut from the threaded stud and screw into the base of the mixer. Pass the tails and fixing stud through the hole in the basin from above, and place the mixer in position on the basin.

Slide the C-shaped black washer and then the metal retaining plate up the tails and on to the threaded stud, screw on the nut, finger tight to secure the mixer.

Check that the mixer body is correctly positioned and tighten fixing nut. The mixer needs to be fixed firmly but do not over tighten as damage may be caused to the basin.

Hot water should be connected to the left inlet and cold to the right when the mixer is viewed from the front.

Pop-up waste.

Insert the pop-up waste lever into the slot at the back of the mixer. From the underside of the basin screw the pop-up waste lever into the vertical control rod.

Assemble the pop-up waste to the basin, with the thin washer on top and the thick washer below and hand tighten.

Prepare the horizontal control rod by sliding on the washer, ball joint retainer making sure the cup part of the washer will sit around the ball. Slide the control rod link onto the vertical control rod and then onto the horizontal control rod.

Insert the short end (with ball) of the horizontal control rod into the body (the horizontal control rod can be slid through the control rod link) and clamp to the body with the ball joint retainer. Do not over tighten.

Test the action of the pop-up waste and fully tighten the rod link. Adjust the ball joint retainer as required.

ATTENTION

Having first checked all new connections, turn on the mains stop cock, close all taps except the new mixer and as the system starts to refill check for leaks.

Once you have satisfied yourself that there are no leaks, switch on the water heating.

CLEANING

The chrome and gold plate we use on our taps is very durable, nevertheless care should be taken when cleaning them. They should be cleaned only with warm soapy water followed by rinsing with clean water and drying with a soft cloth. All finishes are vulnerable to acid attack and some strong substances such as household cleaners, disinfectants, denture cleaners, hair dyes, wine making and photographic chemicals can cause the surface to go black or peel.