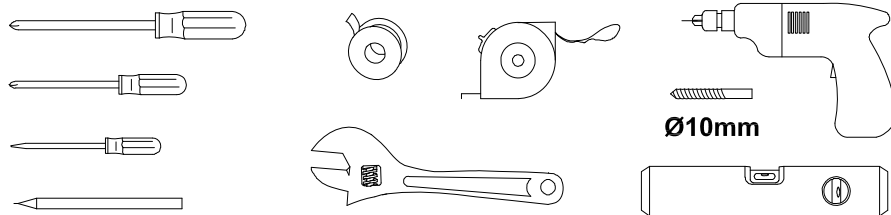
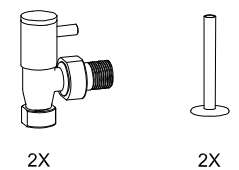
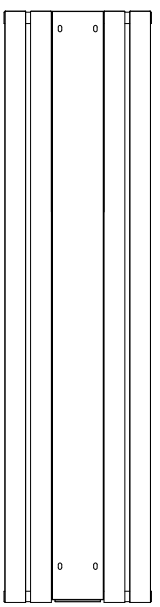








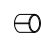
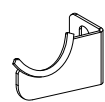

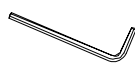
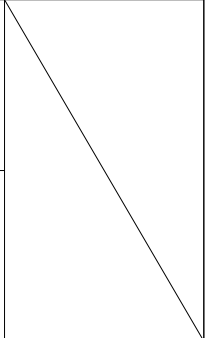




TOOLS REQUIRED:	PARTS REQUIRED:
	

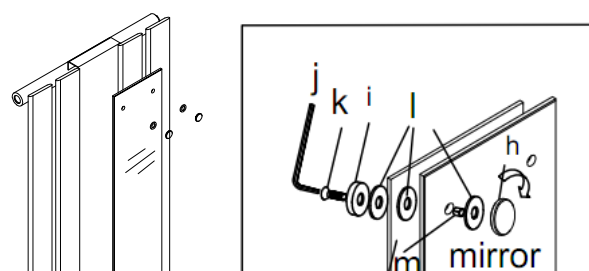
Impression Mirrored Designer Radiator Installation Instruction

This radiator is not compatible with summer heating kits as the bottom section would get dangerously hot causing the heating element to fail.

- review instructions carefully before installation
- installation should be completed by a suitably qualified person
- please dispose of packaging in a responsible manner

	a  ST6*65mm 4X	e  4X		h  4X	l  8X
	b  Ø11*60 4X	f  1X		i  4X	m  4X
	c  2X	g  1X		j  1X	
	d  2X			k  4X	

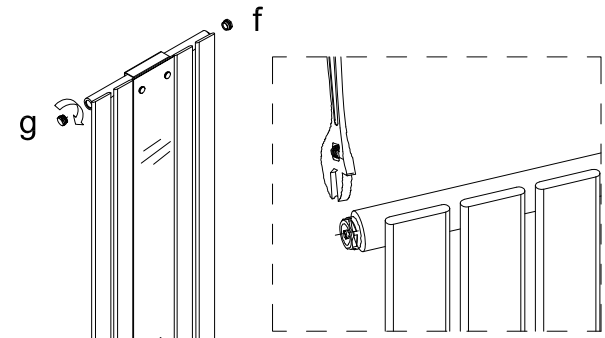
1

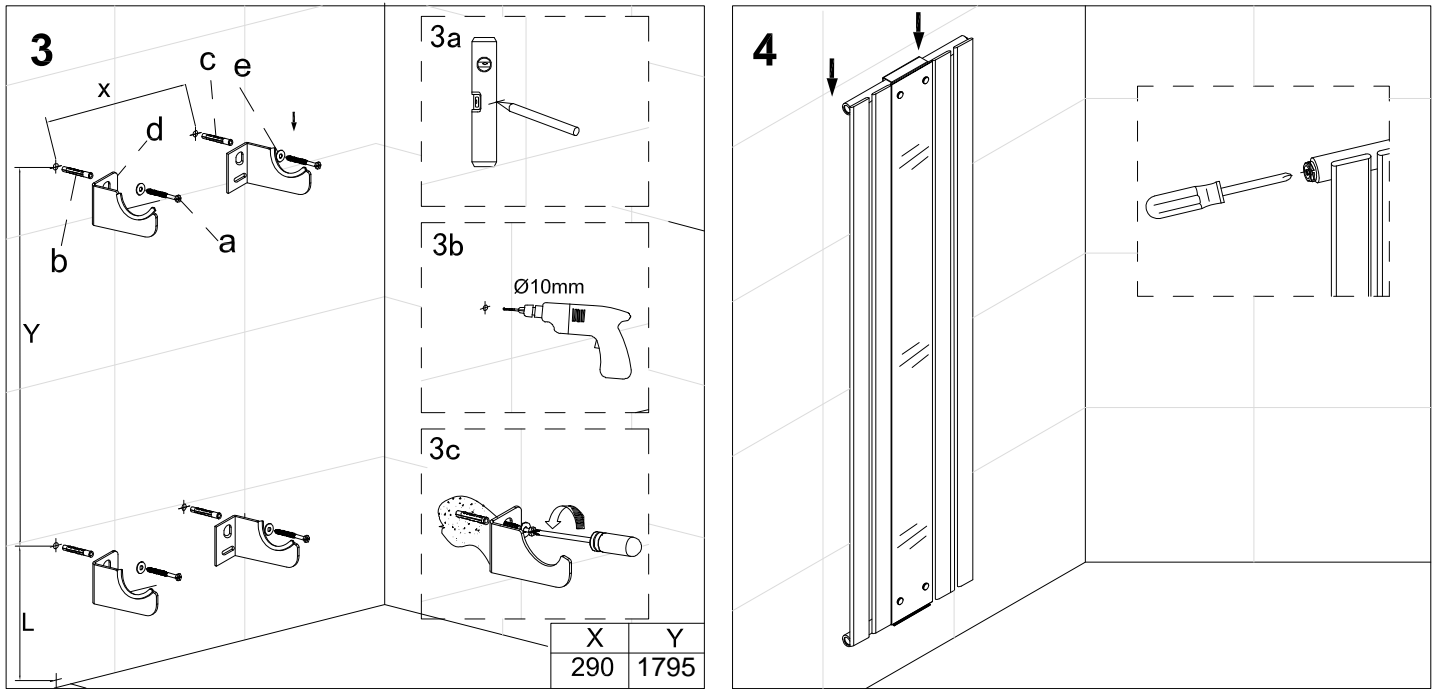


Steel plate

Do not over tighten the fitting screws as this can damage the glass

2





After installation ...

- Use a screwdriver to open the air vent, open the inlet valve and let the water rush into the radiator. Check all connections for leaks.
- Once water overflows from the air vent, there is no air in the tube.
- Use a screwdriver to close the air vent. Turn on the outlet valve and the radiator is ready for use.

Maintenance...

- The outside of the radiator can be cleaned using warm soapy water.
Do not use scouring powders or acid based products as these could damage the finish.
- It is recommended that the unit should be drained if it is not in use and ambient temperatures are below 0° C (32° F) to prevent damage from the water freezing.
Before reusing, flush system with a rust inhibitor to remove any oxidation.
- If the water temperature in the system exceeds 50° C (122° F), please install a warning mark near the radiator to avoid being scalded.
- If the product is not used for a prolonged period (for example spring, summer), ensure the radiator is kept filled with water containing a rust inhibitor to prevent oxidation on the inside of the unit.
- This product should only be used with a maximum pressure of PN ≤ 1MPa (10Kg/cm², 10Bar).
Only for use with water. Maximum temperature t ≤ 100° C (212° F).
- Periodically check that the mirror fixings are secure.

Care and maintenance - Looking after your Bathstore mirror

If water gets between the glass and the silver backing of a mirror dark patches can form. The edges of all our mirrors are sealed to prevent this from happening. This seal can be damaged and the following guidelines should be followed to ensure your mirror's longevity.

- 1) The best and safest cleaner for a mirror is warm water used with a soft, lint-free cloth. Wring all water from the cloth before wiping the mirror. Dry the mirror immediately with another dry lint-free cloth.
- 2) Don't use acid or alkali cleaners. Either substance can attack the front surface and edges as well as the backing of the mirror. Abrasive cleaners should never be used on any mirror surface as these can scratch and damage the edge sealer.
- 3) Don't spray cleaners directly on the mirror. Always apply cleaner directly to a soft, lint-free cloth and then wipe the mirror. No preparatory cleaner should be in contact with the edges of the mirror as these can damage the edge seal and cause water damage.
- 4) When cleaning several mirrors installed next to each other, wipe the joints in the same direction as the joints. This will keep the cleaner from collecting in the area where the mirrors join.
- 5) Don't use commercial mirror cleaners that contain ammonia or vinegar.
- 6) The last step to cleaning a mirror is to make sure all joints and edges are dry so that no liquid or cleaner comes into contact with the edges and backing.