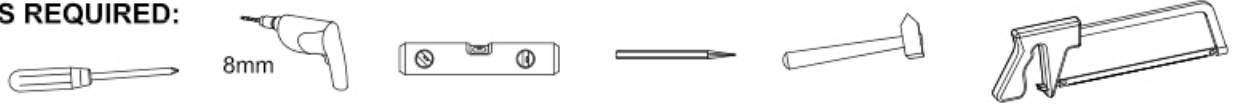
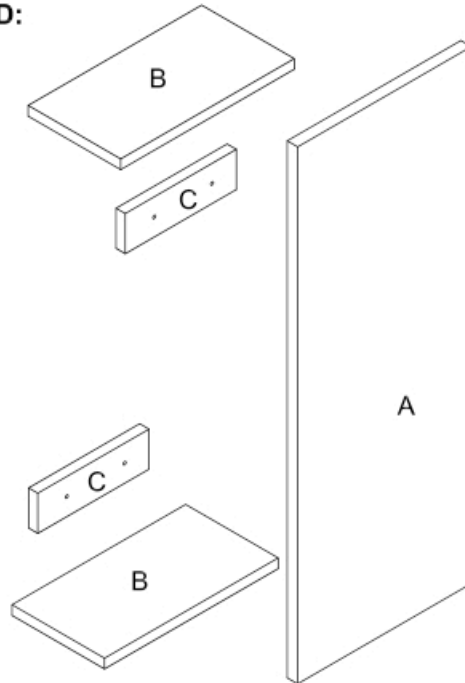





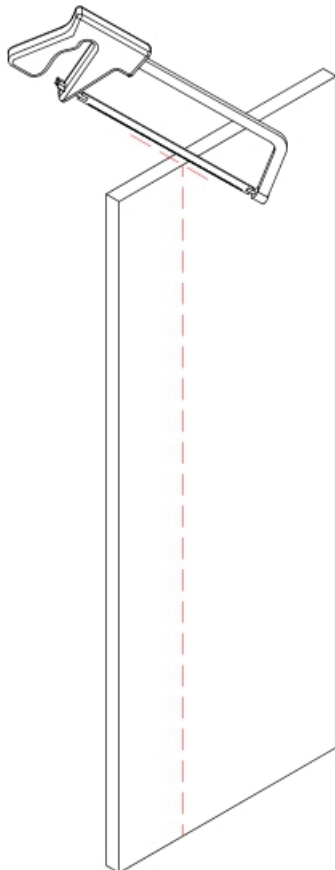
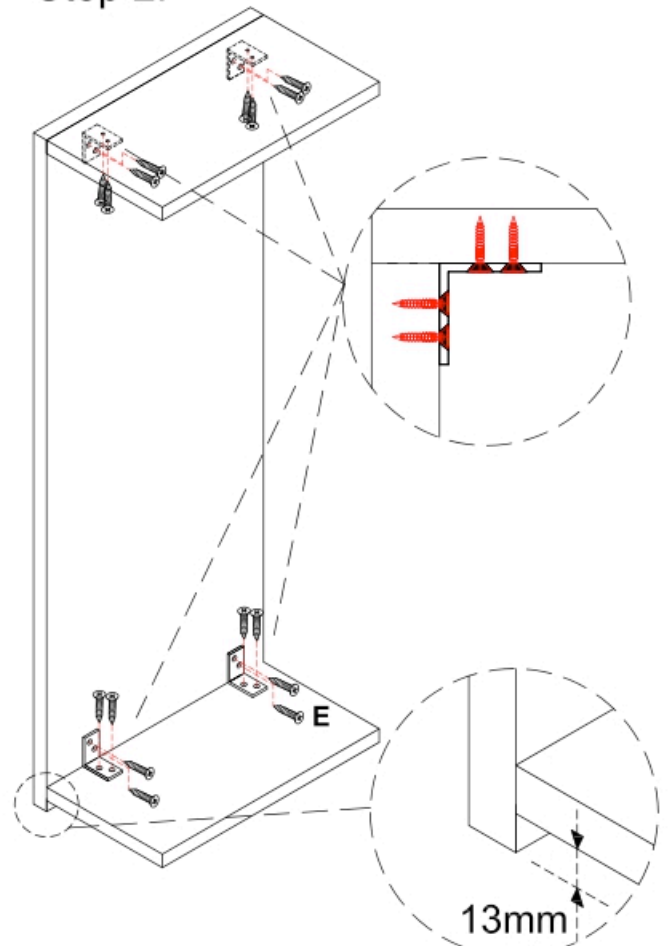


MyPlan Wall Unit Filler Panel Instructions

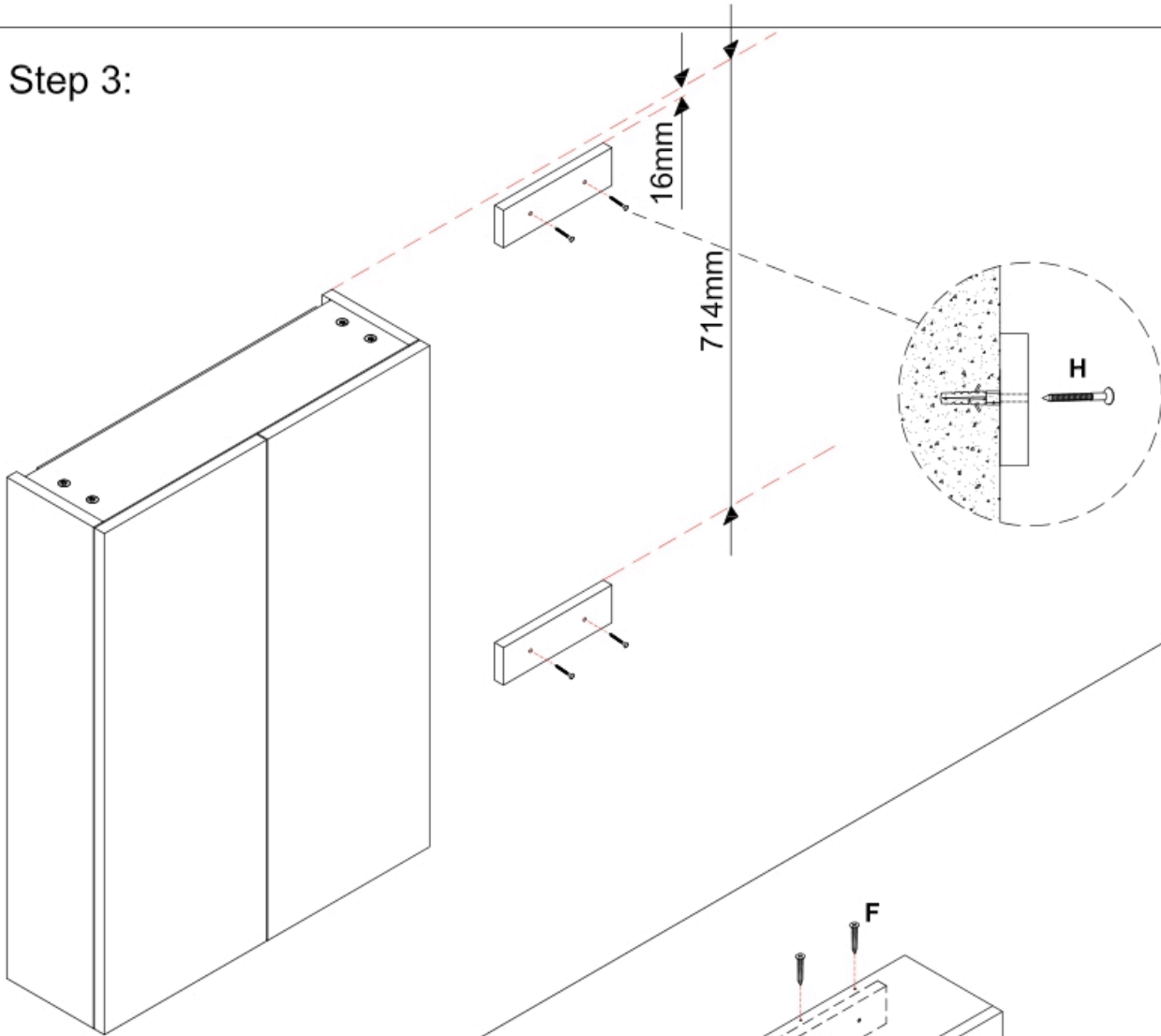
TOOLS REQUIRED:

PARTS SUPPLIED:


CODE	DIAGRAM	QTY
D		4
E	 ST4*14mm	16
F	 ST4*30mm	4
G		4
H		4

Step 1:

Step 2:


The wooden boards (A, B, C) could be cut to required length if necessary before installation.

Step 3:



Step 4:

