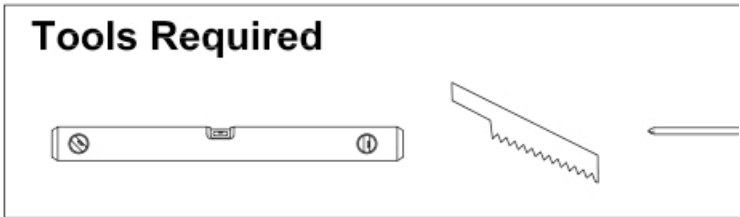
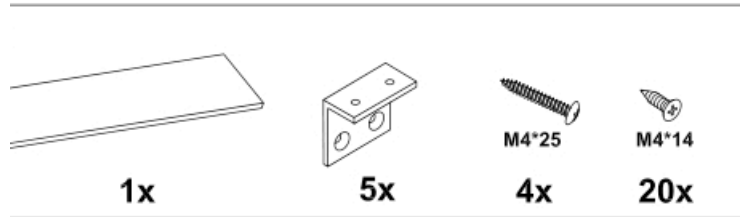


# 00 Worktop Instructions



to length to suit the  
of a fine tooth saw

- A capping piece is supplied to be used to seal the cut edge. The capping piece should be fixed with a temperature and moisture resistant glue.

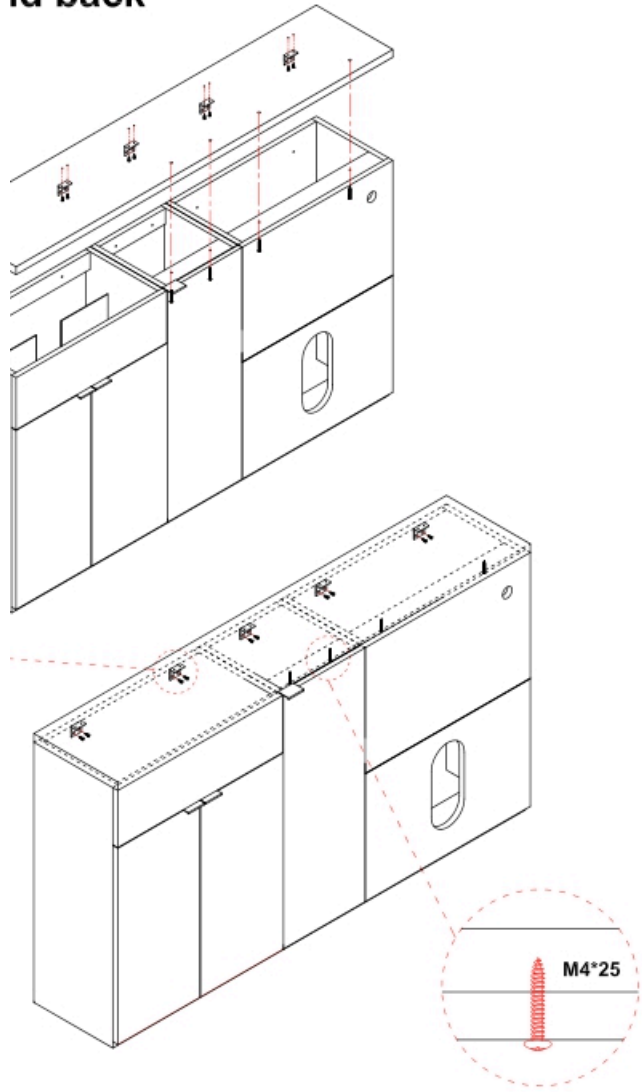
and a soft damp cloth  
any excess glue

- We recommend that the cut end is placed against the side wall.

## 2

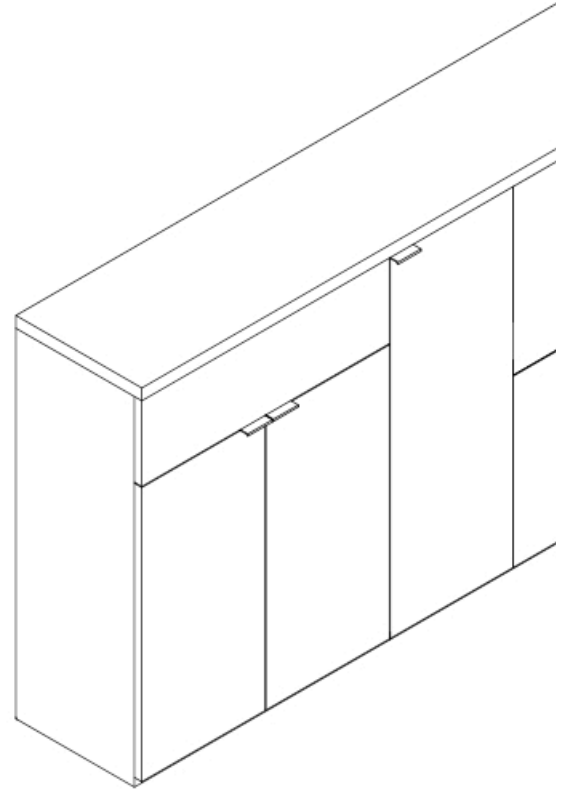
- Make sure that the cabinets are level, and flush.

id back



ire run use the brackets and fixing screws to secure the worktop as  
rktop is firmly secured to the furniture carcass both front and back.

4



- The worktop should be cleaned using a soft damp cloth with a m  
use any abrasive agents.