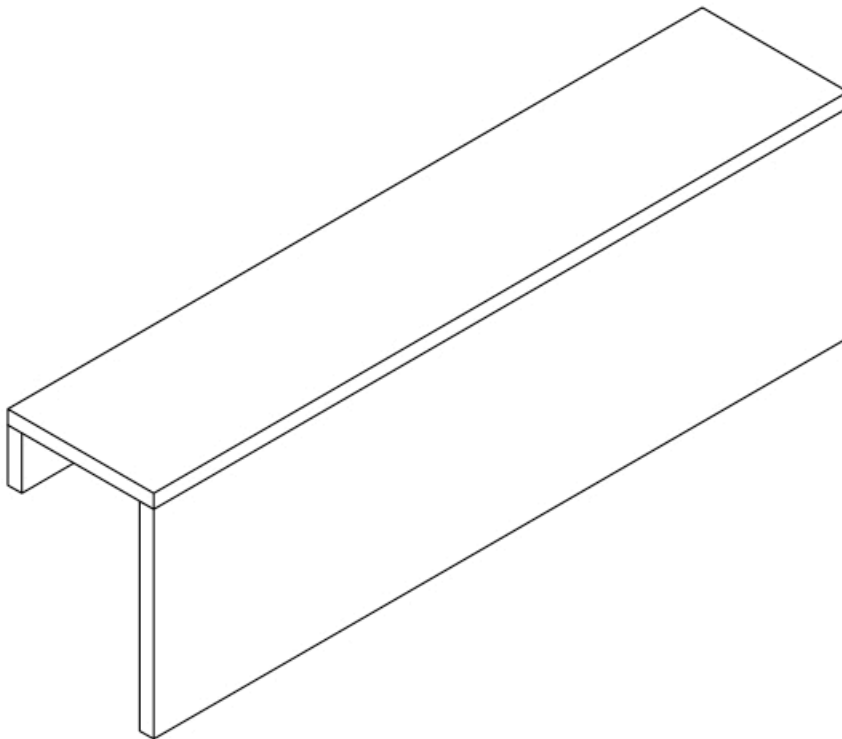
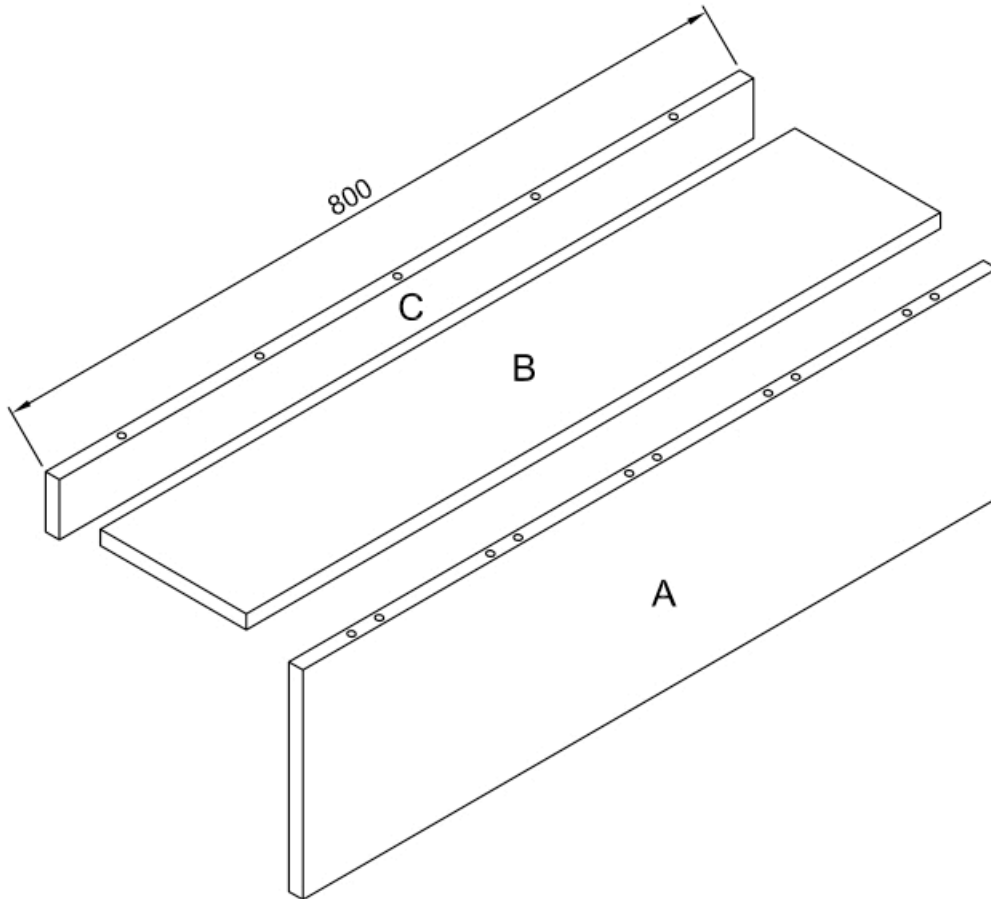





MyPlan 800 Pipe Cover Kit Assembly Instructions




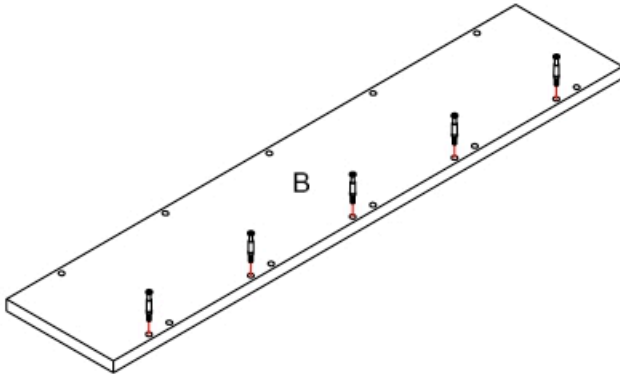
Width 800mm
Depth 168mm
Height 245mm

TOOLS REQUIRED:




CODE	SIZE (mm)	QTY	CODE	DIAGRAM	QTY
A	800 x 229 x 16	1	D		5
B	800 x 168 x 16	1	E		10
C	800 x 60 x 16	1	F		5

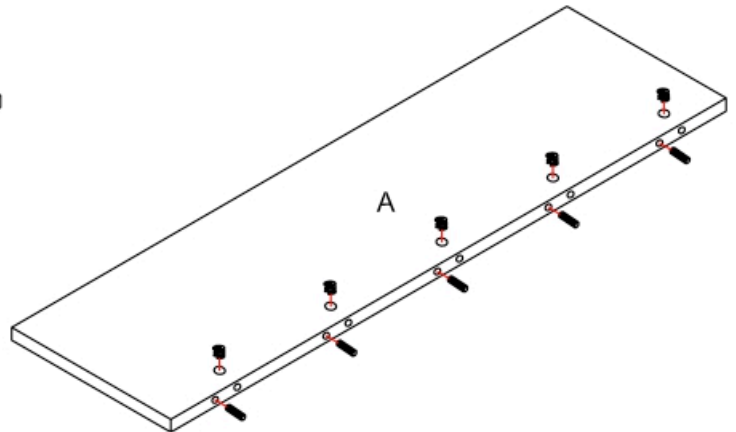
Step 1:

CODE	SIZE/DIAGRAM	QTY
B	800 x 168 x 16	x1
D		x5

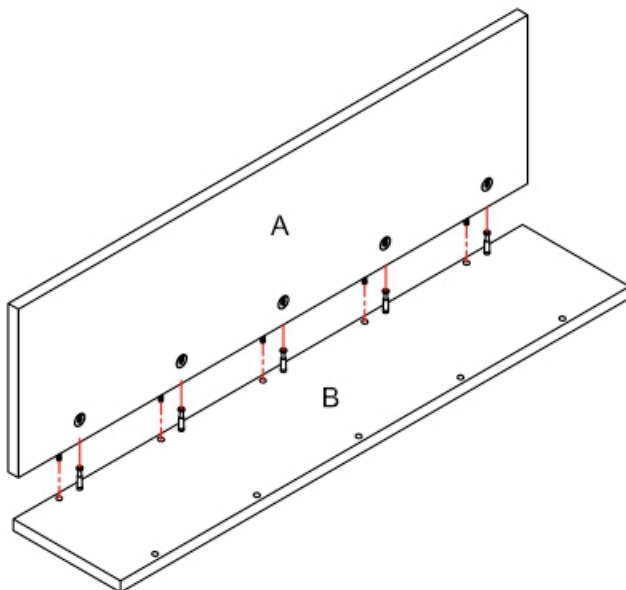


Step 2:

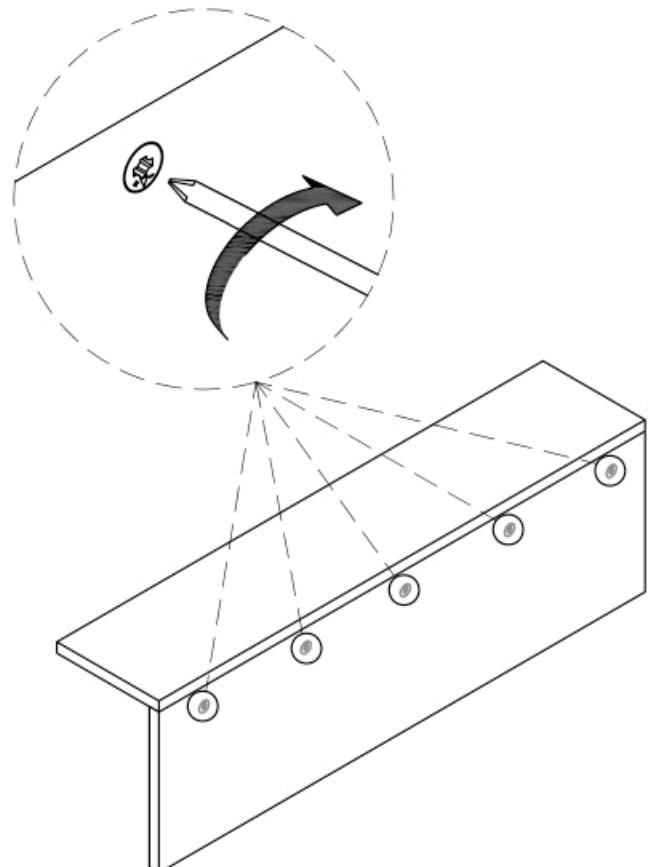
CODE	SIZE/DIAGRAM	QTY
A	800 x 229 x 16	x1
E		x5
F		x5



Step 3:

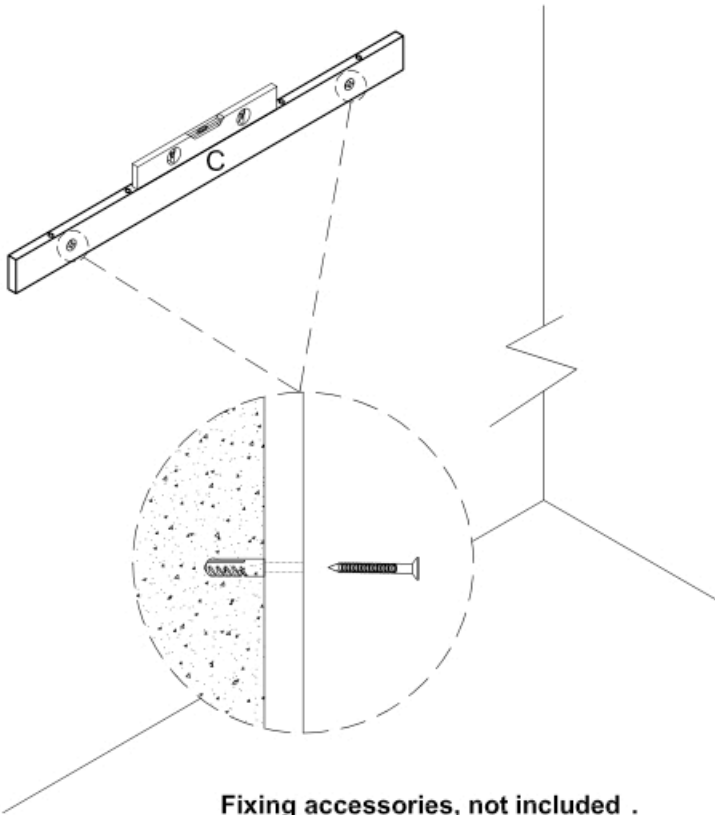


Step 4:



Step 5:

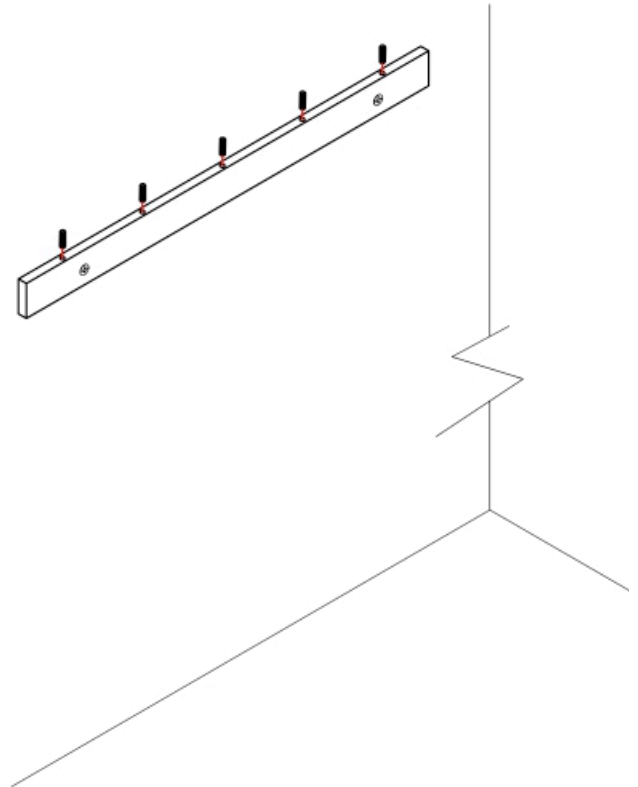
CODE	SIZE/DIAGRAM	QTY
C	800 x 60 x 16	x1



Fixing accessories, not included .
Holes are not predrilled.

Step 6:

CODE	SIZE/DIAGRAM	QTY
E		x5



Step 7:

