

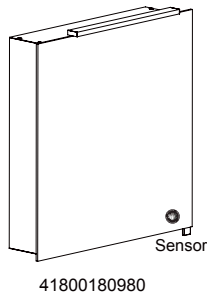
ILLUMINATED CABINET INSTALLATION INSTRUCTIONS



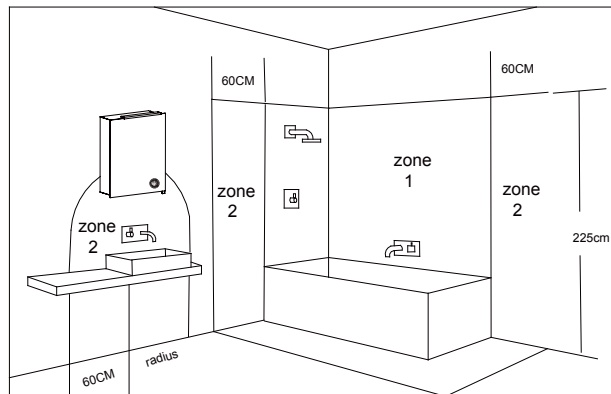
Please read these instructions carefully before installation.
 Installation should be carried out by a qualified electrician.
 Please leave a copy for the user/maintenance engineer for future reference.

GENERAL

- THIS PRODUCT CONFORMS TO UK SAFETY STANDARDS AND MUST BE INSTALLED IN ACCORDANCE WITH CURRENT IEE WIRING REGULATIONS AND BUILDING REGULATIONS (PART P).
- THIS PRODUCT MUST BE EARTHED, AND SHOULD NOT BE CONNECTED TO AN UNEARTHED CIRCUIT. IF THERE ARE ONLY TWO WIRES COMING FROM YOUR POWER SUPPLY IT MEANS THAT THIS FITTING BE WIRED TO AN UNEARTHED CIRCUIT.
- ENSURE THAT CONNECTIONS ARE TURNED OFF AT THE CONSUMER UNIT OR FUSE BOARD BEFORE INSTALLING OR CARRYING OUT ANY MAINTENANCE.
- THIS PRODUCT IS FOR IN DOOR USE ONLY.
- THIS PRODUCT IS IP44 RATED AND CAN BE INSTALLED IN THE ZONE 2 (AS DEFINED BY THE IEE WIRING REGULATIONS) AND BEYOND. SEE THE DIAGRAM BELOW.
- REPLACE FAILED LAMPS IMMEDIATELY. ALLOW THE GLASS, LAMP AND FITTING TO COOL BEFORE REPLACING THE LAMP.

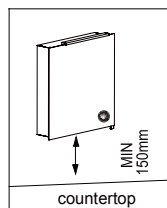


IEE Bathroom Zones Diagram



IMPORTANT

- When working at heights, please use a suitable platform to work from.
- **Please note:** For new installations, check for any electrical cables or pipe work (gas/water) in the vicinity of the intended mounting point before proceeding with the installation.
- Ensure that the fixing location is able to take the weight of the complete fitting. Wear suitable eye protection when drilling. Be careful when using power tools near water.



- The product must be installed with a minimum distance of 150mm between the infrared sensor and an adjacent countertop or obstruction to ensure correct function of the sensor (see diagram left)

- Do NOT strike mirror glass with hard or pointed items. It is recommended that the product is cleaned with a soft, dry, non abrasive cloth. Do NOT use cleaning agents or abrasive materials on any type of finished surface. Do NOT allow moisture to come into contact with the electrical components.

COMPLIANCE

This product complies with the following safety standards:
 BS EN 60598-1: 2008+A11: 2009, EN60598-2-1: 1989

WIRING

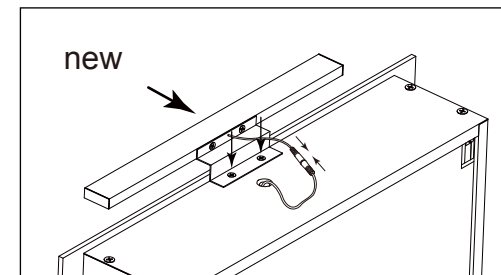
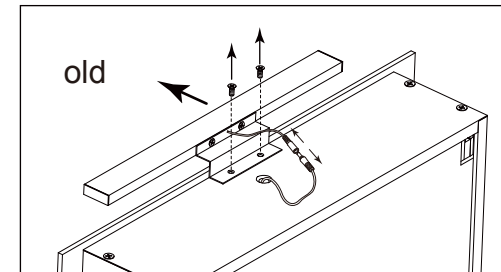
This product is manufactured to class I category and requires an earth connection

COLOUR CODING:

- L - Live = Brown
- N - Neutral = Blue
- ⊖ - Earth = Green & Yellow

REPLACEMENT OF LED KIT

WARNING - turn off at consumer unit or fuse board before accessing wiring.
 When replacing an LED kit please follow the steps illustrated below.

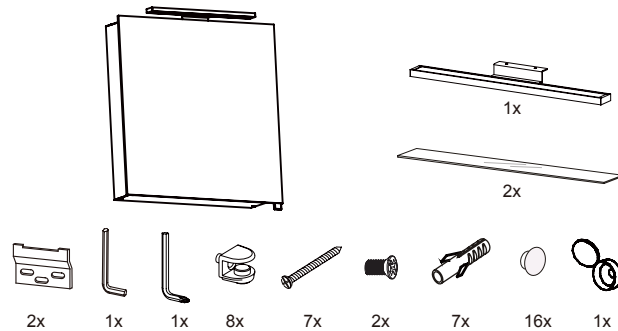


LED STRIPS
 1 x 4.8W LED STRIPS

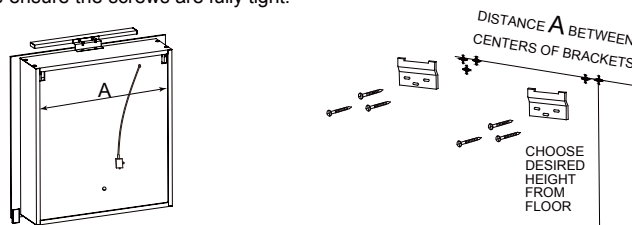
ILLUMINATED CABINET INSTALLATION INSTRUCTIONS

INSTALLATION PROCEDURE

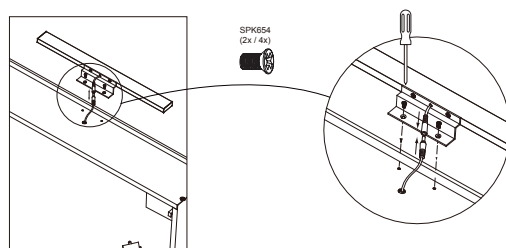
1. Open the carton and make sure all the parts listed below are present



2. Mark a desired height of the mirror and draw a horizontal line on the wall which corresponds with the height of the cabinet hangers. Drill the required holes and insert the wall plugs. Note: Wall plugs supplied are only suitable for solid stone/brick walls. Then screw the brackets to the wall using the screws provided. Please ensure the screws are fully tight.

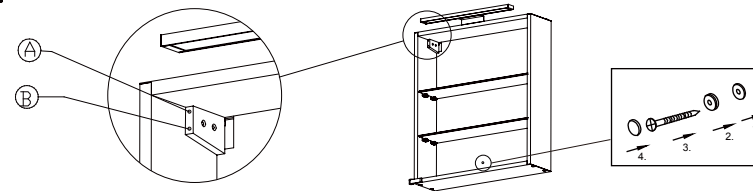


3. Fix the light kit on the top of cabinet with provided screw, and connect the fast -connector



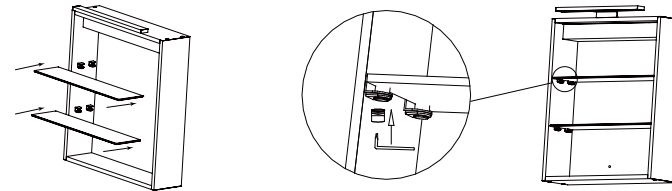
4. Make the electrical connections ensuring first that the electrical supply has been turned off. This cabinet is a class 1 product and requires an earth connection. It should be installed in accordance with the latest IEE regulations.

5. Hang the cabinet on the wall bracket. The claws on the cabinet hangers must be securely located on the wall brackets. Open internal top cover and using a spirit level as a guide adjust the angle of the cabinet by turning the screw A with a cross head screwdriver. When the angle is properly adjusted, tightening the screw B on both hanges. Then secure the base of the cabinet to the wall with provided screw and cover-cap.

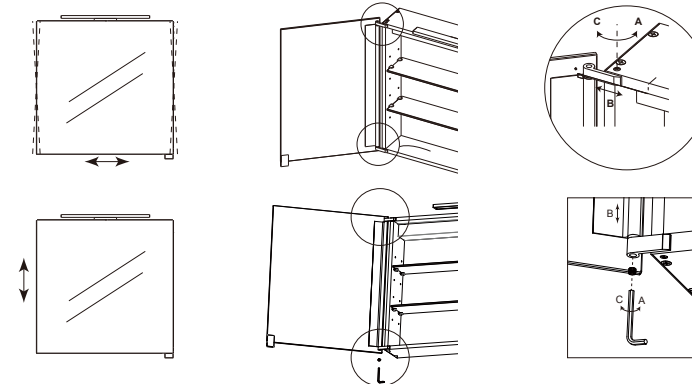


6. Close and secure the top internal electrical cover with the small screws removed earlier and switch on the electrical supply. Test the function of the lamp and the shaver socket.

7. Insert the shelf supports in the desired positions starting with the top shelf. The two door cabinet will require one of the doors removing to fit the glass shelves. Please make sure to tighten the plastic screw at the bottom of the shelf support to prevent the shelves becoming loose. Rubber plugs provided can be used to cover unused shelf holes.



8. If the doors are out of alignment, please first remove the soft-close buffer (from bottom hinges), then adjust the screws A, B and C on hinges for 3 directions adjustment, see below diagram.



Waste Electrical & Electronic Equipment Regulations (WEEE) requires that any of our products showing this mark (left) must not be disposed of with other household or commercial waste. Bathstore does not levy any WEEE disposal charges to its customers for affected WEEE related products. To prevent possible harm to the environment or human health from uncontrolled waste disposal, please separate any such product from other waste types and recycle it responsibly at your local facilities. Check with your Local Authority, Recycling Center or retailer for recycling advice.

GUARANTEE

This product is guaranteed in the UK for a period of 2 year from the date of purchase. The guarantee is invalid in the case of improper use, installation or tampering. Should this product fail during the guarantee period it will be replaced free of charge, subject to correct installation and return of the faulty unit. Bathstore does not accept responsibility for any installation costs associated with the replacement of this product. Your statutory rights are not affected. Bathstore reserve the right to alter specifications without prior notice.