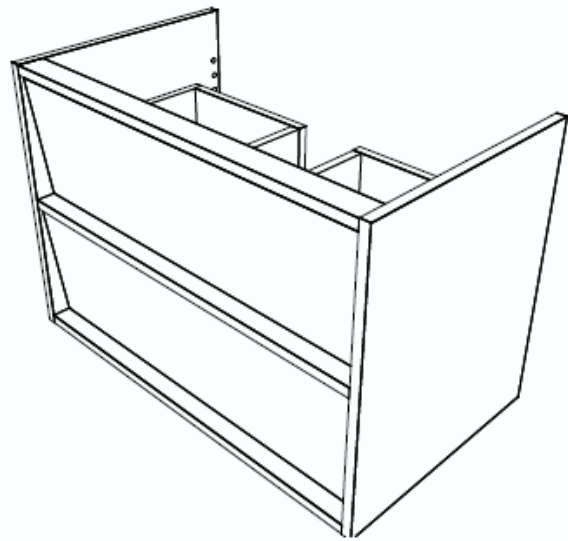
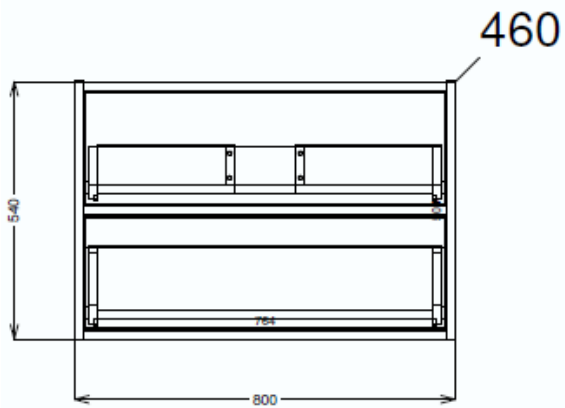




**bath
store**

SLANT NEBRASKA OAK 800 BASIN UNIT

41405018910





**bath
store**

LINCOLN / SLANT CERAMIC BASIN 810 x 465

41200240220

