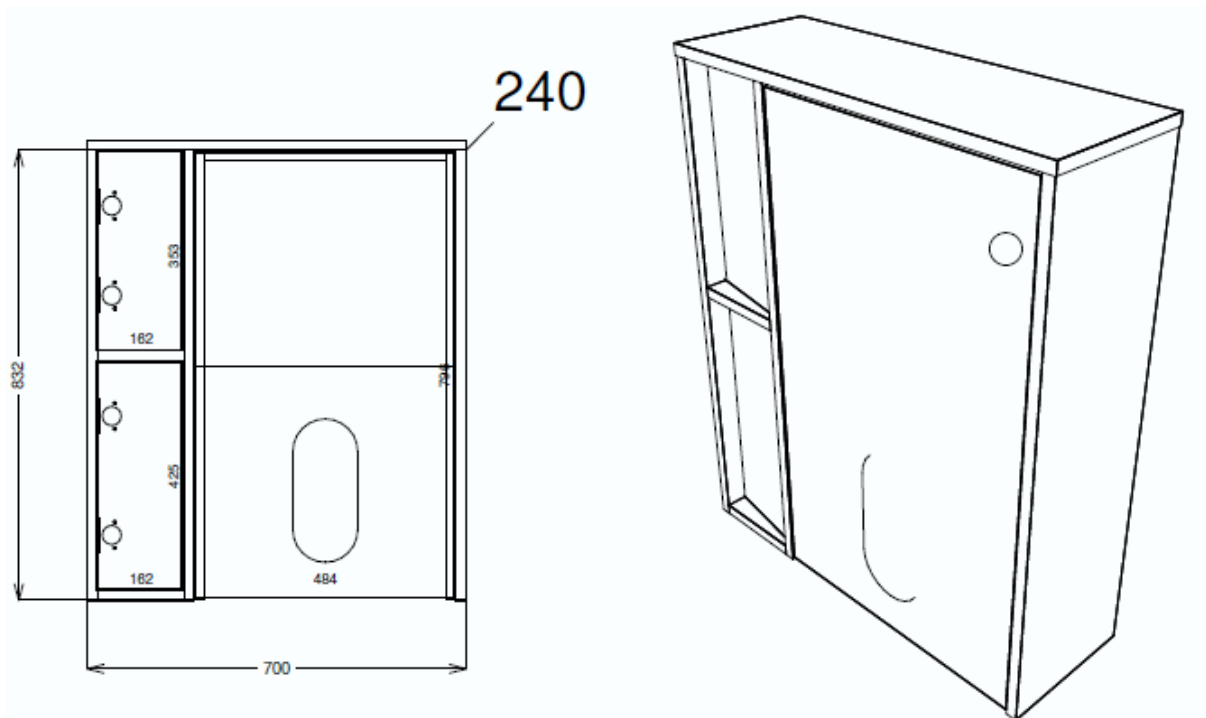




**bath  
store**

SLANT NEBRASKA OAK 700 BACK TO WALL OR  
WALL HUNG UNIT

41405018940





bathtore

# 41100060160 - BATHSTORE DUAL CONCEALED CISTERN POLY JACKET TOP ACCESS 400x357x160

