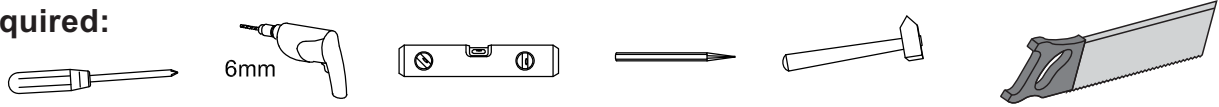
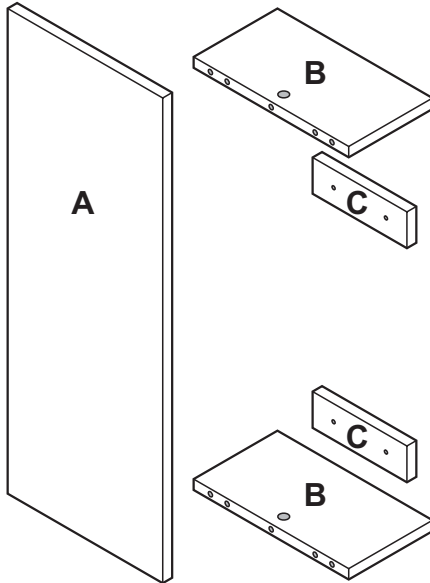




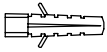



# MyPlan Wall Filler Panel Instructions

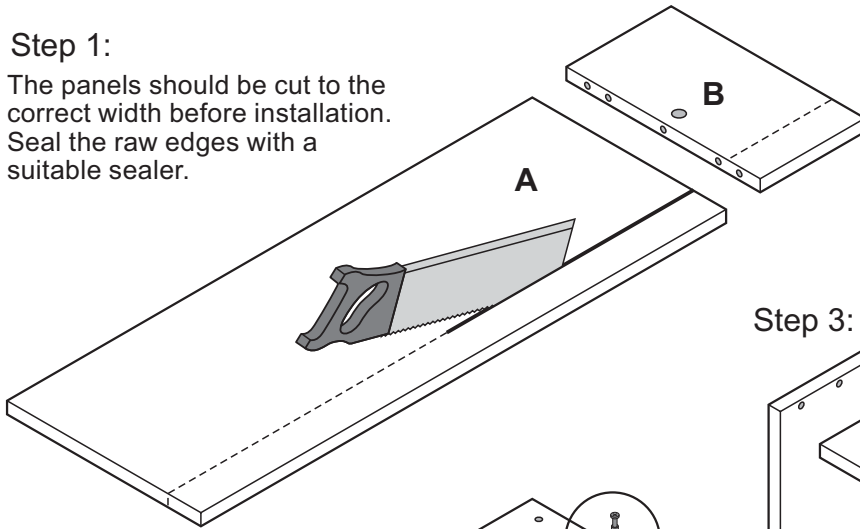
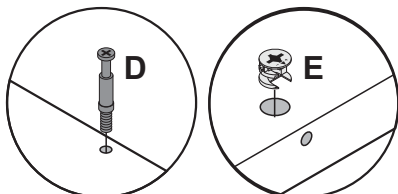
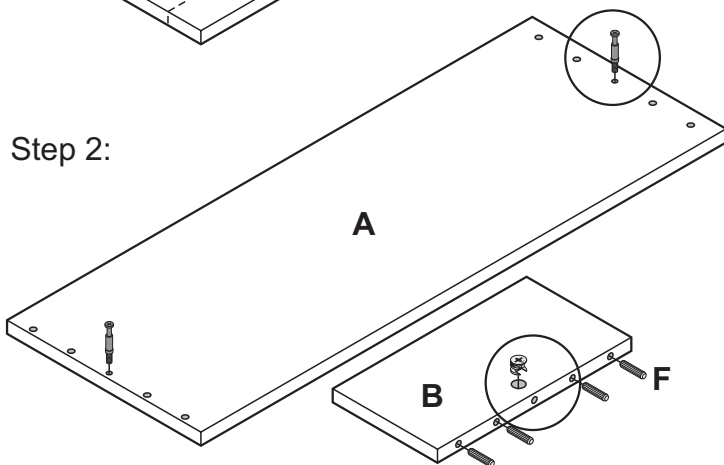
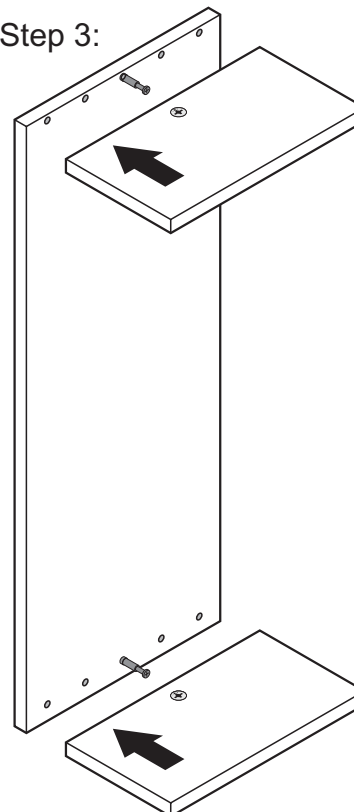
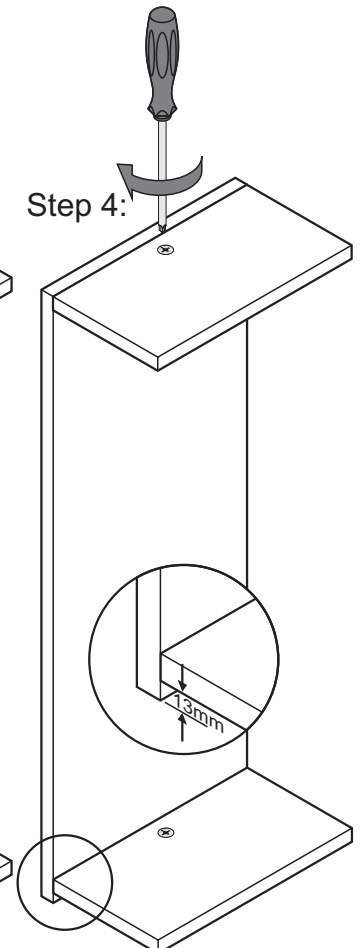
41405018850

**Tools Required:**

**Parts Supplied:**


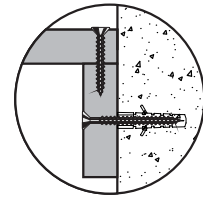
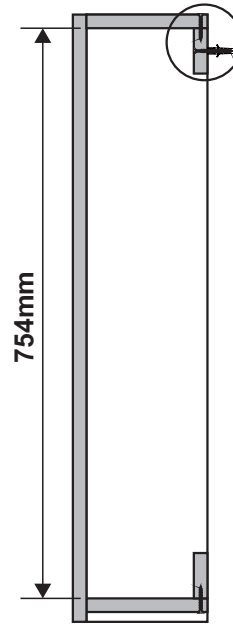
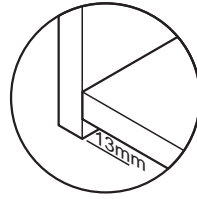
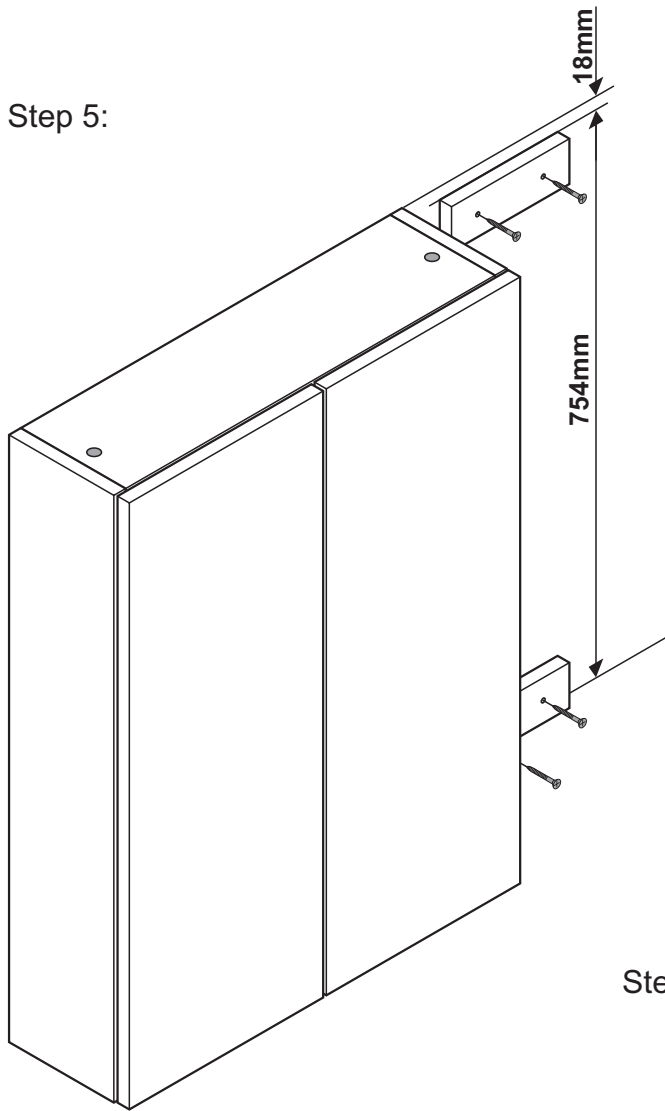
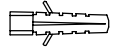
CODE	DIAGRAM	QTY
D		2
E		2
F		8
G	 ST4 *30mm	4
H		4
I		4

**Step 1:**

The panels should be cut to the correct width before installation. Seal the raw edges with a suitable sealer.

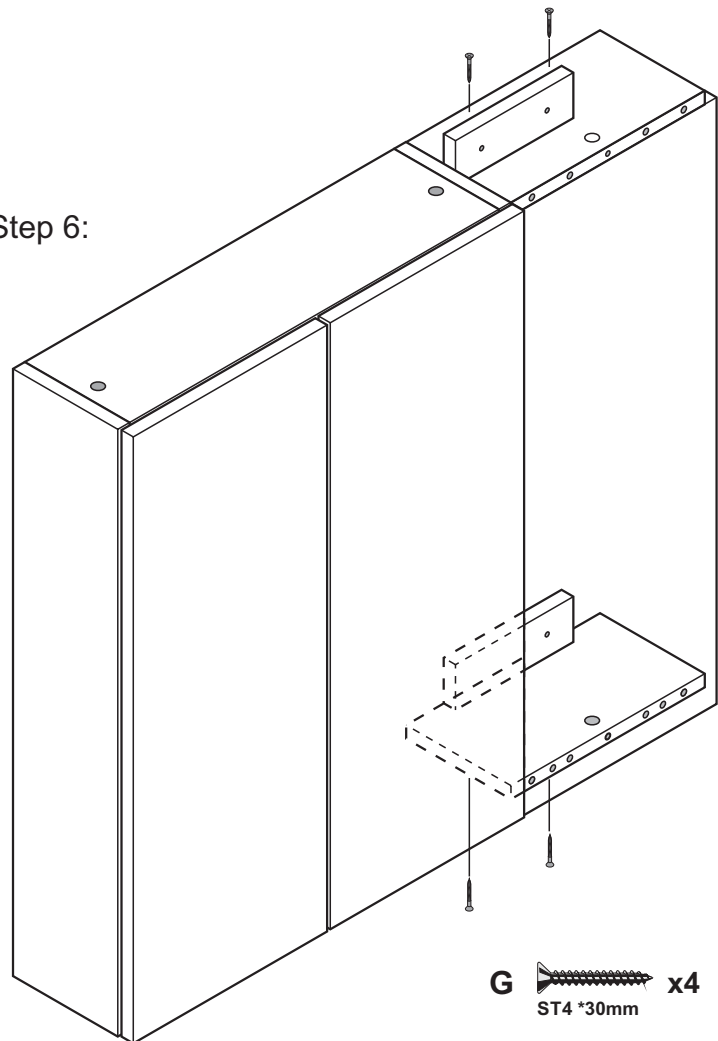

**Step 2:**

**Step 3:**

**Step 4:**


Step 5:


**H**  x4

**I**  x4

Step 6:


**G**  x4  
ST4 \*30mm

## Care and Maintenance

**Please leave this leaflet with the householder.**

This furniture is made of wood and has a water resistant finish. It should not be left wet. The quality of the finish is best maintained if it is wiped with a dry cloth after use. It should only be cleaned using a soft damp cloth followed by a dry cloth. Do not use bleach or any abrasive cleaner.