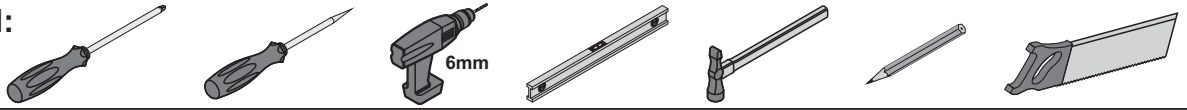
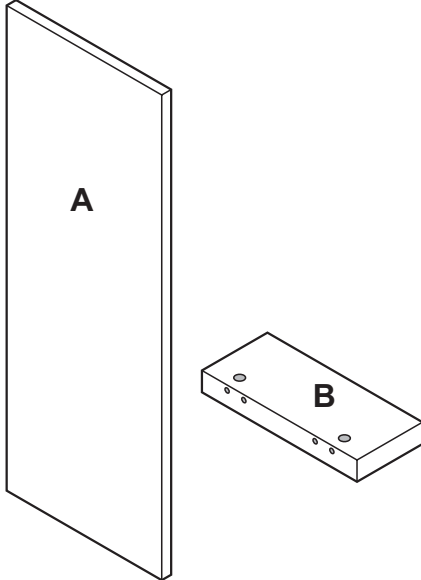





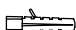



MyPlan Base Filler Panel Instructions

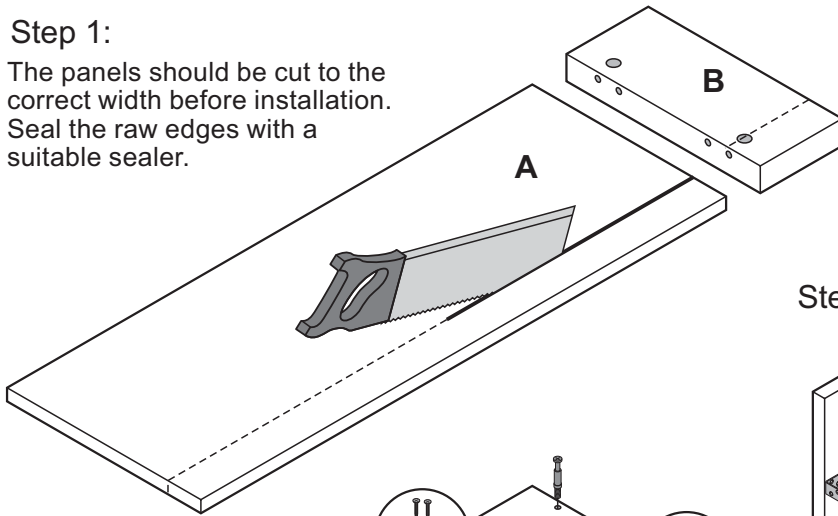
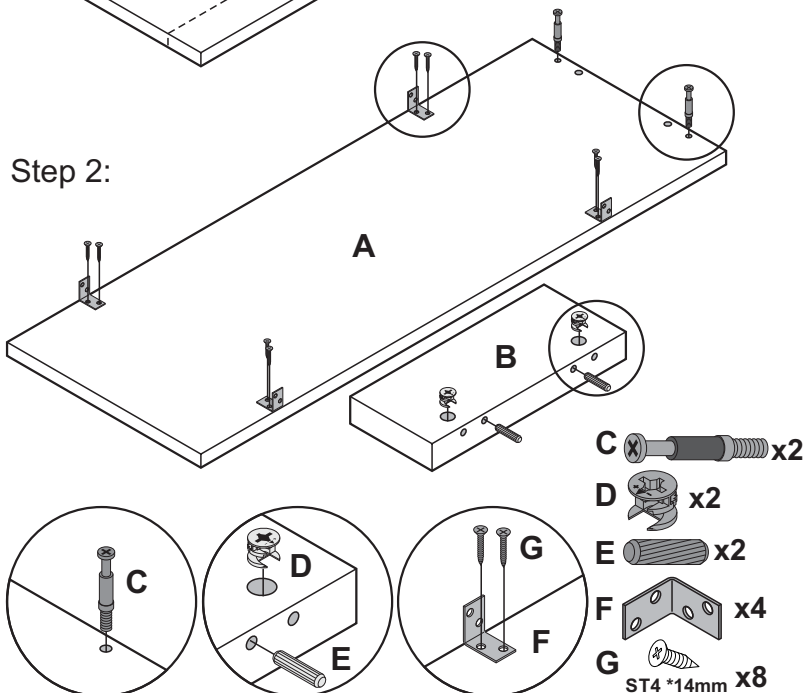
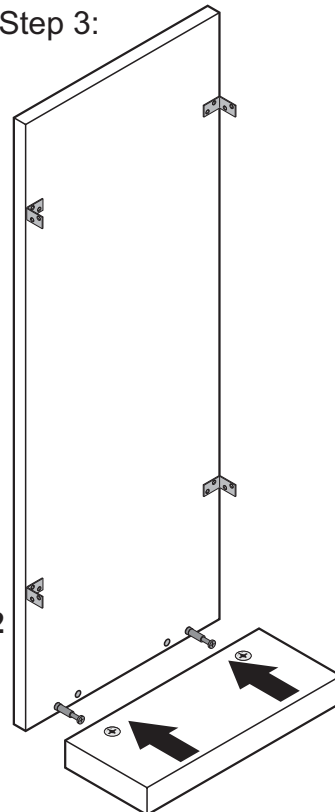
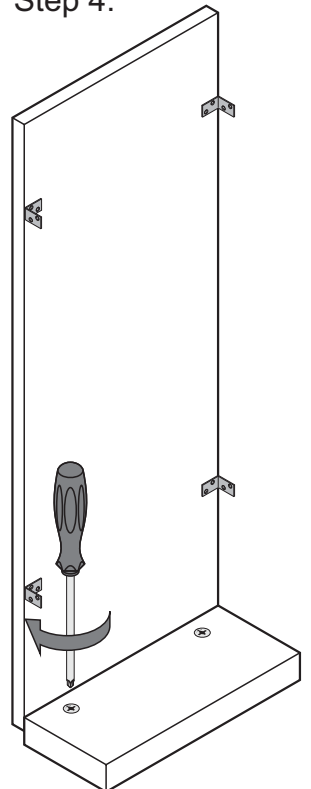
41405018840

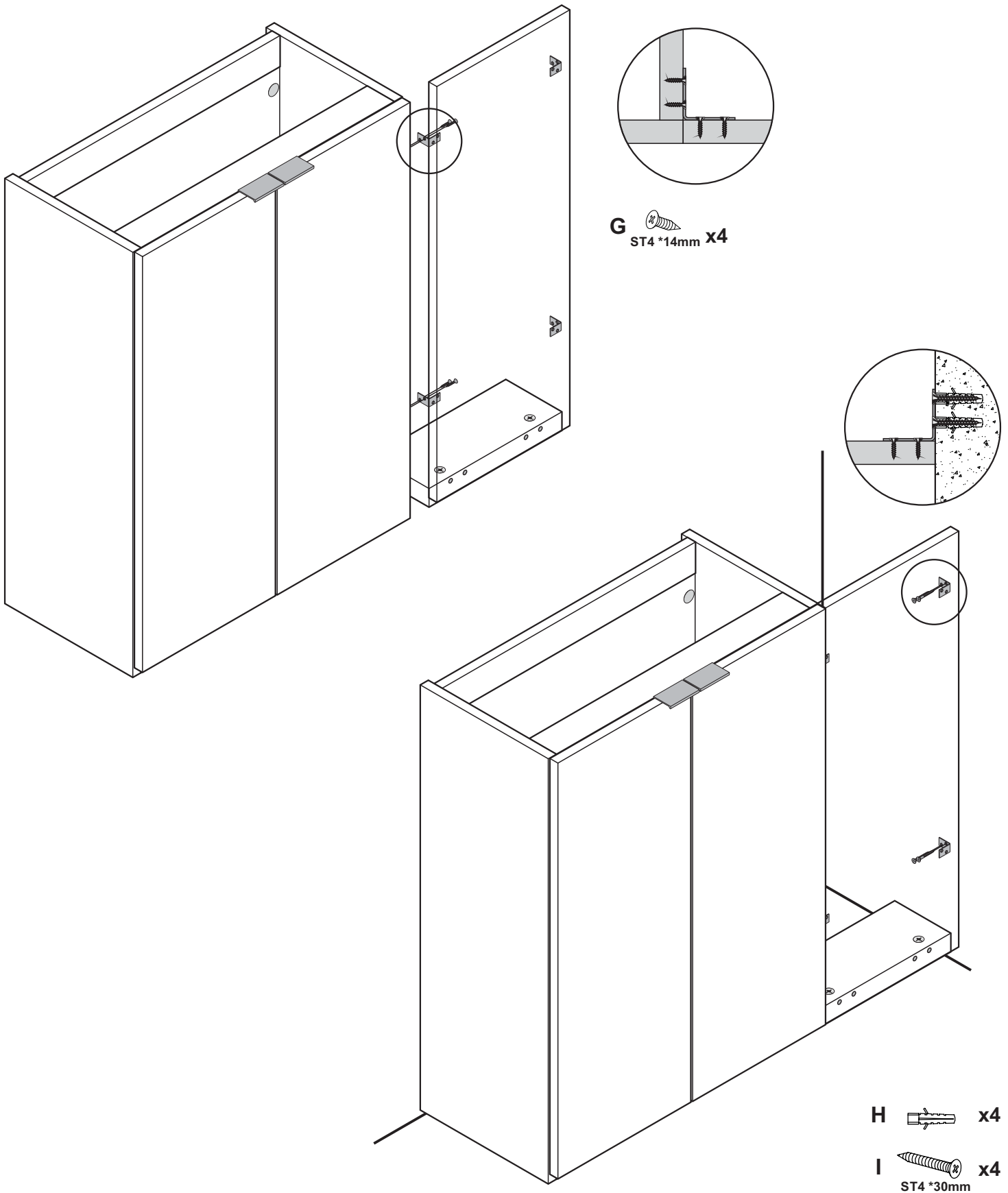
Tools Required:

Parts Supplied:


CODE	DIAGRAM	QTY
C		2
D		2
E		2
F		4
G	 ST4 *14mm	12
H		4
I	 ST4 *30mm	4

Step 1:

The panels should be cut to the correct width before installation. Seal the raw edges with a suitable sealer.


Step 2:

Step 3:

Step 4:




Care and Maintenance

Please leave this leaflet with the householder.

This furniture is made of wood and has a water resistant finish. It should not be left wet. The quality of the finish is best maintained if it is wiped with a dry cloth after use. It should only be cleaned using a soft damp cloth followed by a dry cloth. Do not use bleach or any abrasive cleaner.