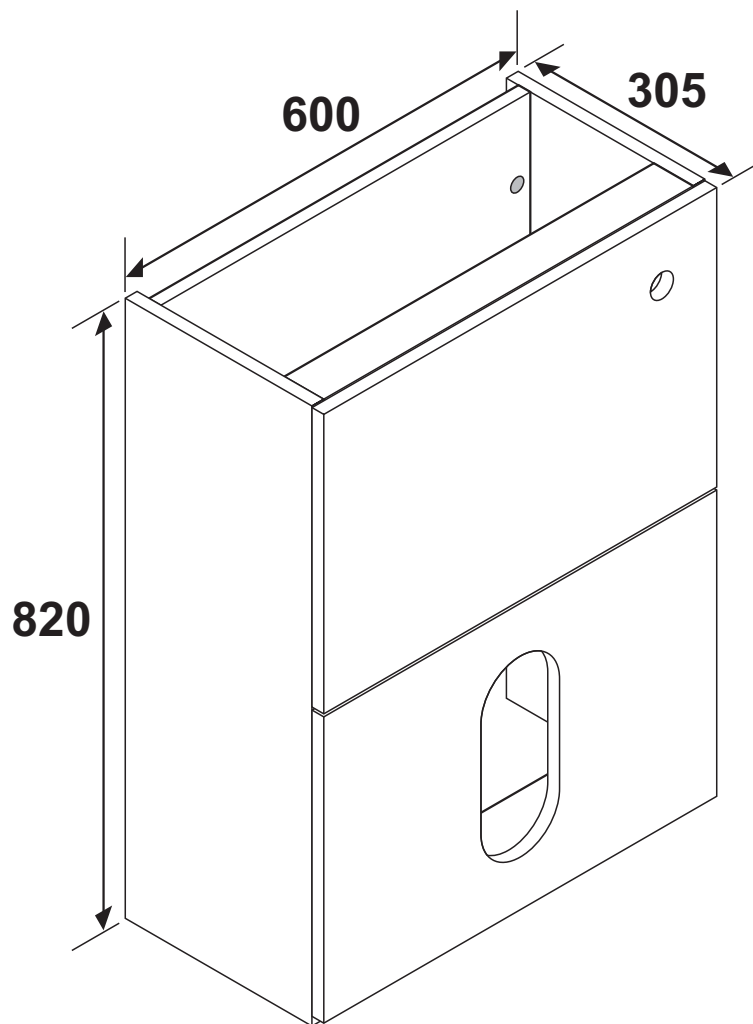
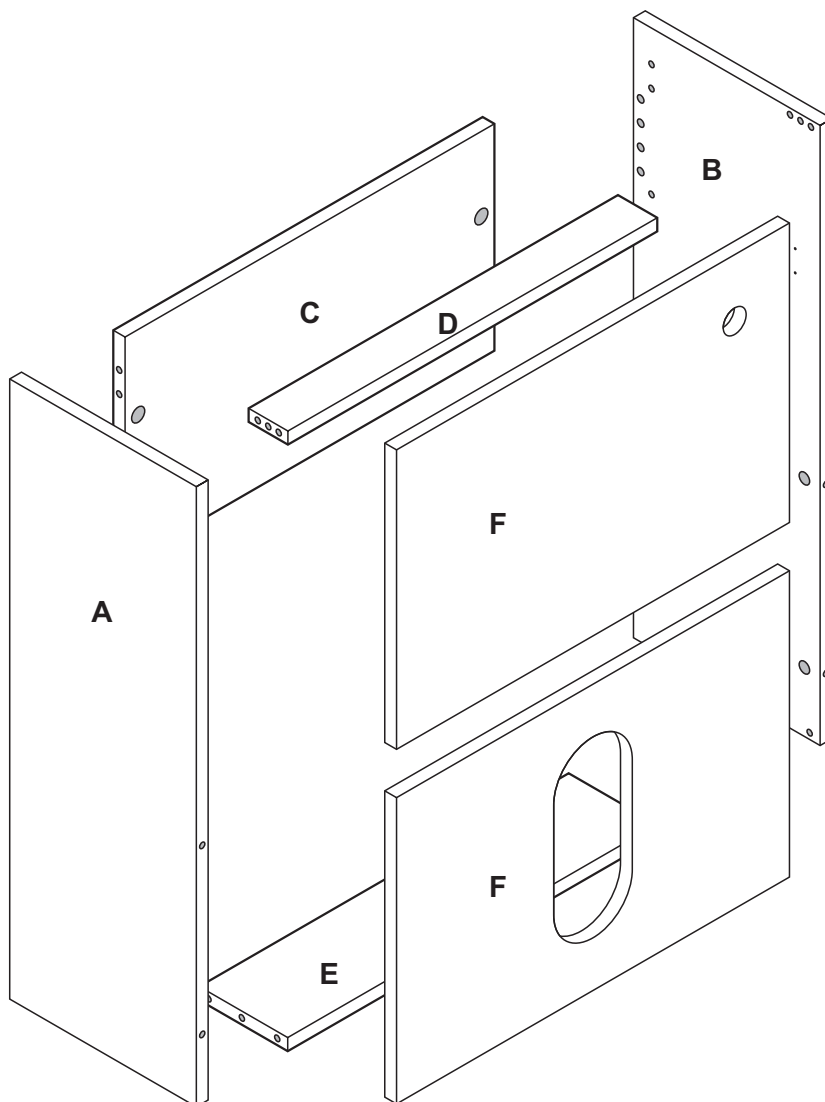
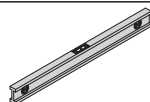





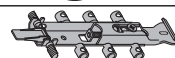
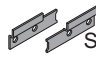

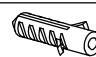





**MyPlan 600 Back to Wall WC Unit  
Assembly Instructions  
41405018680**



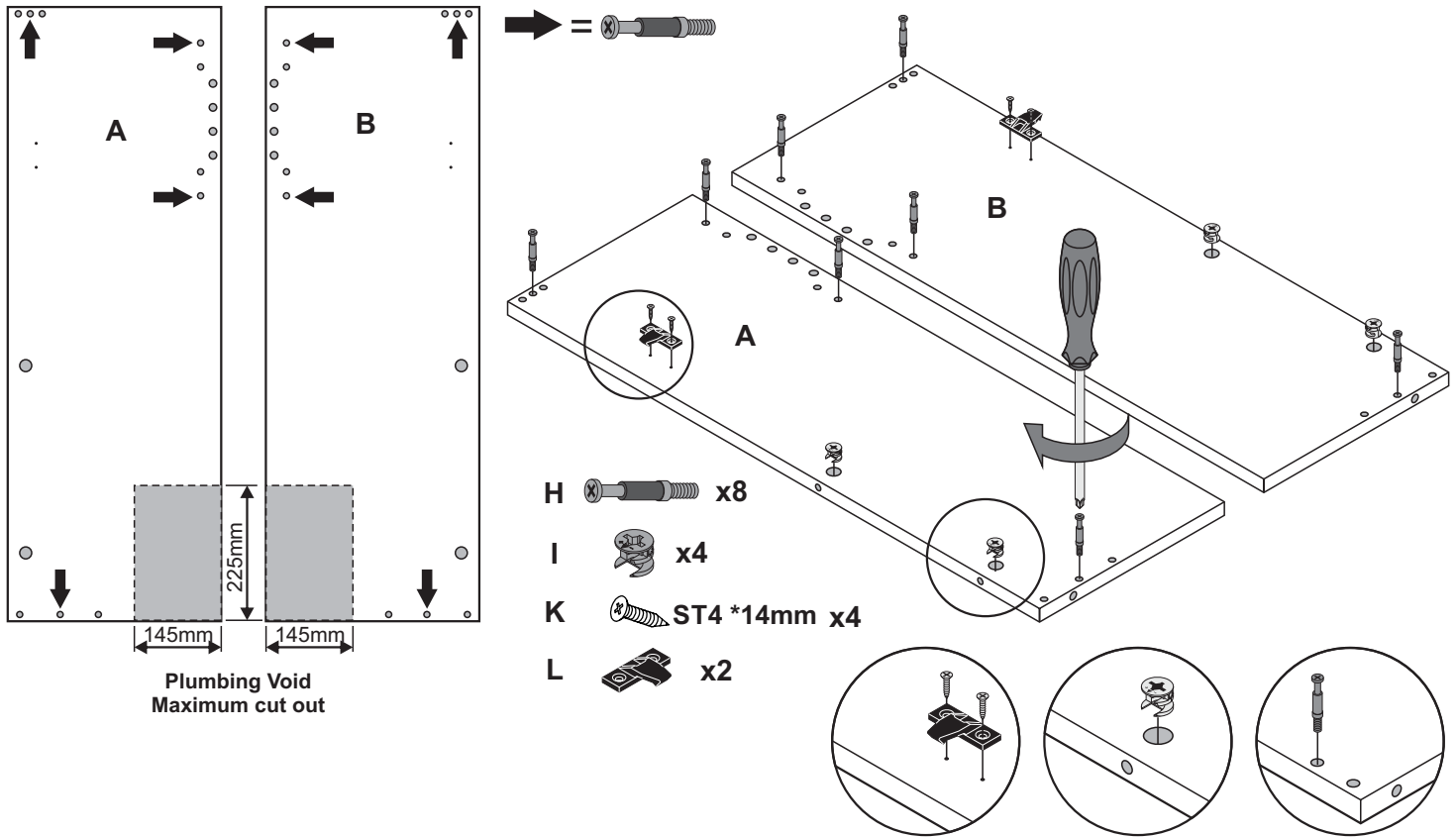
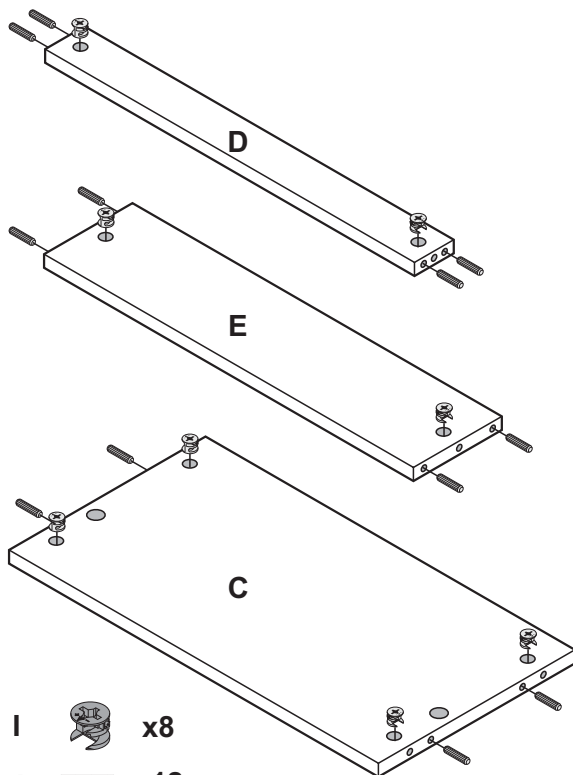
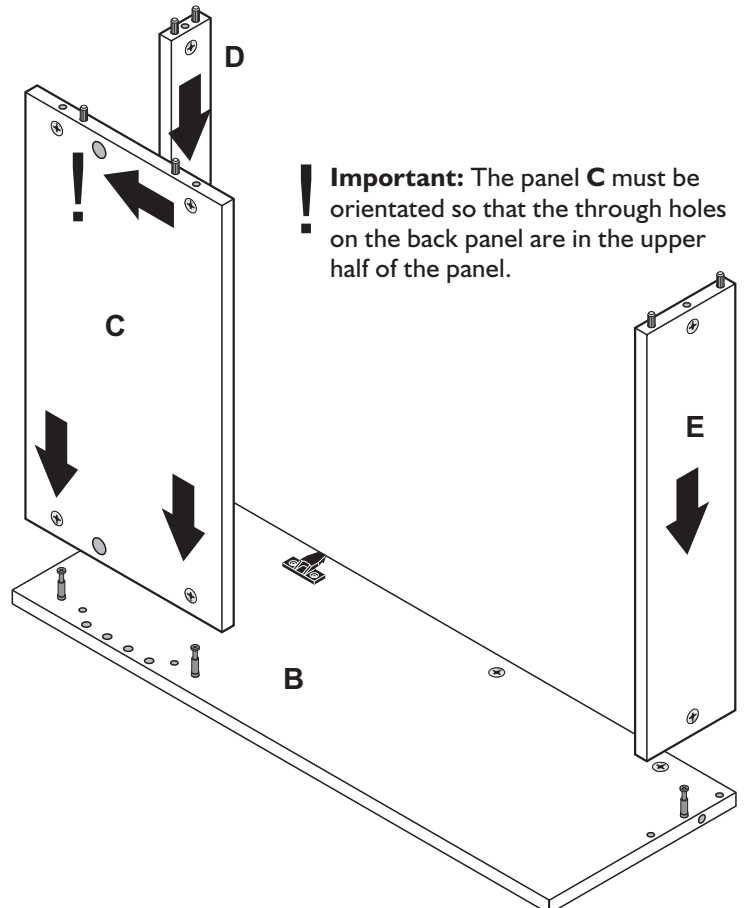
**Width 600mm  
Depth 305mm  
Height 820mm**

**Tools Required:**


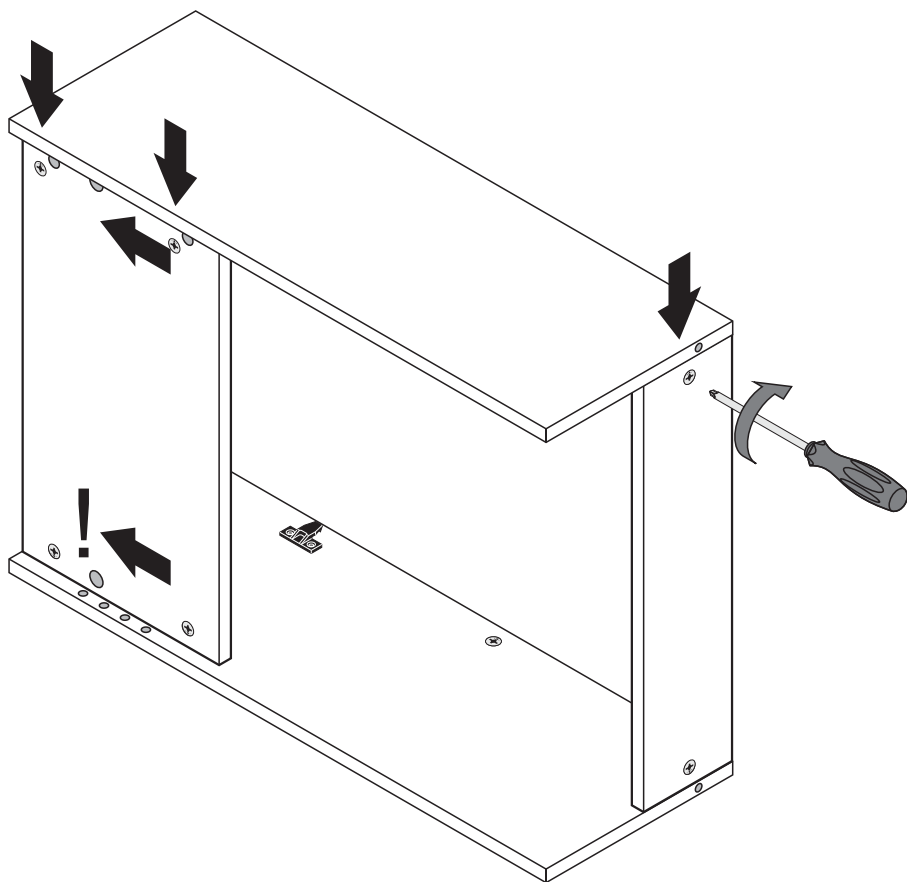
CODE	SIZE mm	QTY	CODE	DIAGRAM	QTY
A	820 x 285 x 18 (LH)	1	K	 ST4 *14mm	8
B	820 x 285 x 18 (RH)	1	L		2
C	564 x 300 x 18	1	M		2
D	564 x 60 x 18	1	N		2
E	564 x 135 x 18	1	O		2
F	600 x 396 x 18	1	P		2
G	600 x 405 x 18	1	Q	 Snap apart	1
H		12	R		4
I		12	S	 ST5 *50mm	4
J		12			

**Step 1:**

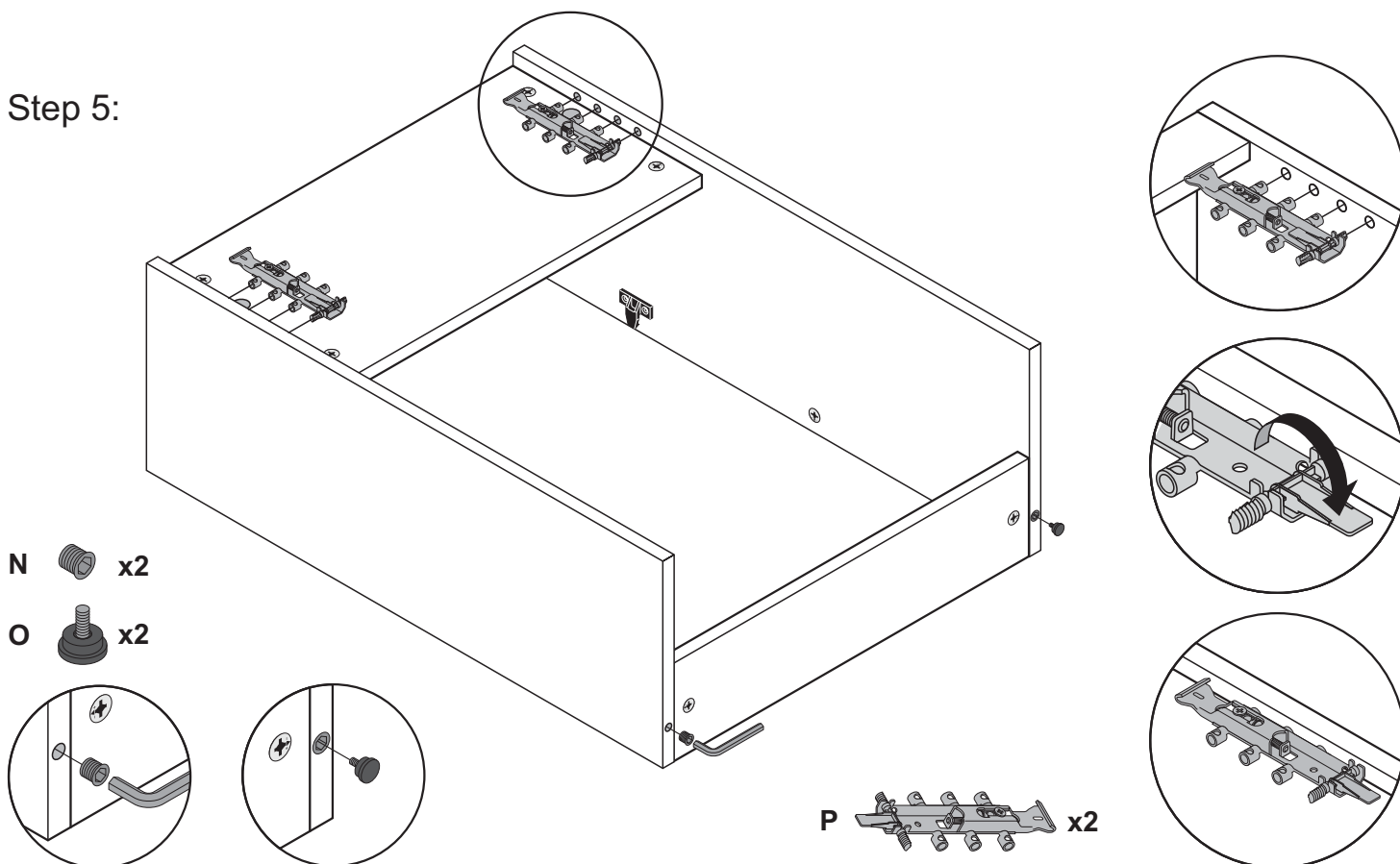
If the furniture conceals pipe runs along the wall, please cut out the corners as shown to create the plumbing void before assembly.


**Step 2:**

**Step 3:**


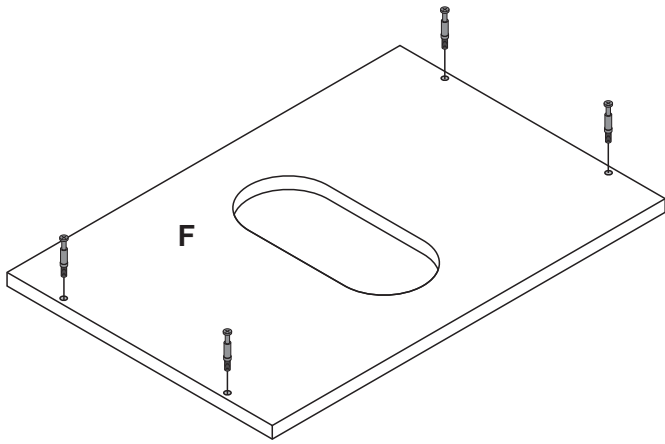
Step 4:



Step 5:

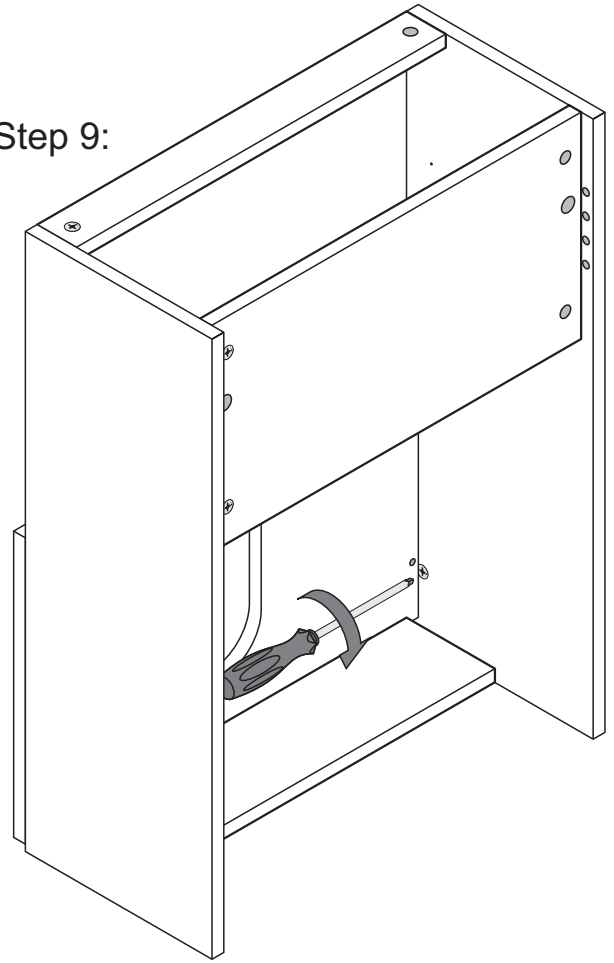


Step 8:

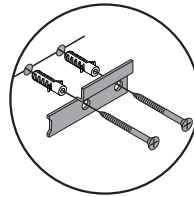
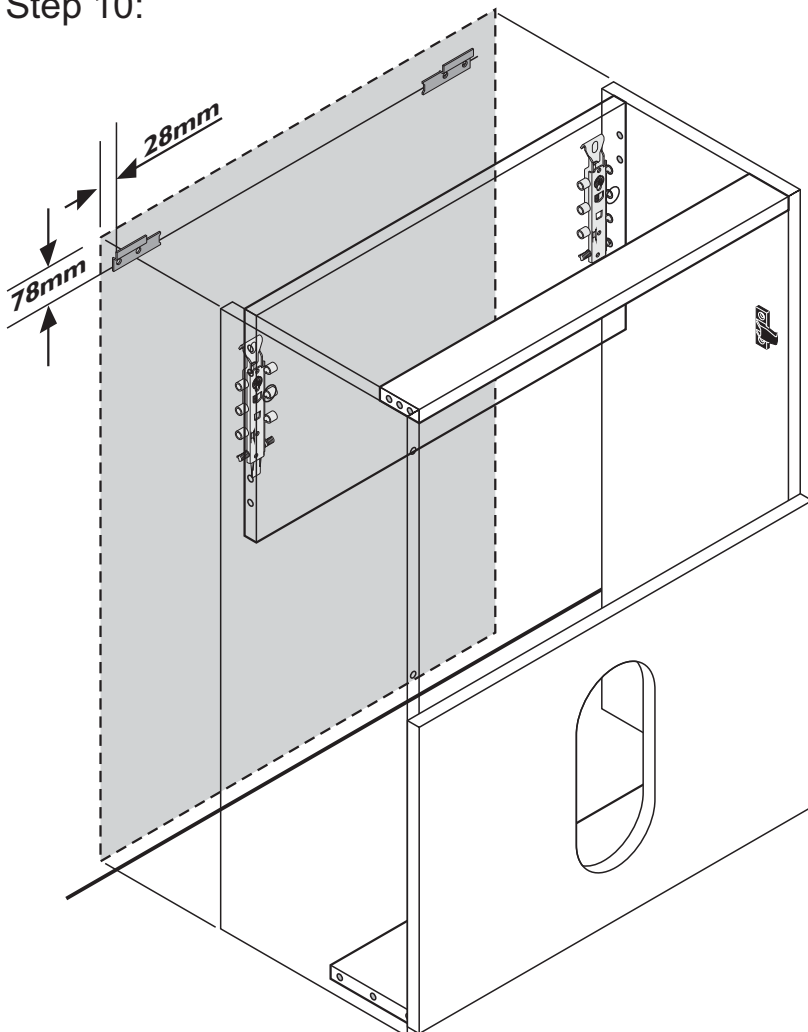


H  x4

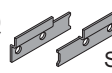
Step 9:



Step 10:



The wall fixings supplied may not be suitable for your installation. You may need to source alternatives depending on the material and strength of the wall.

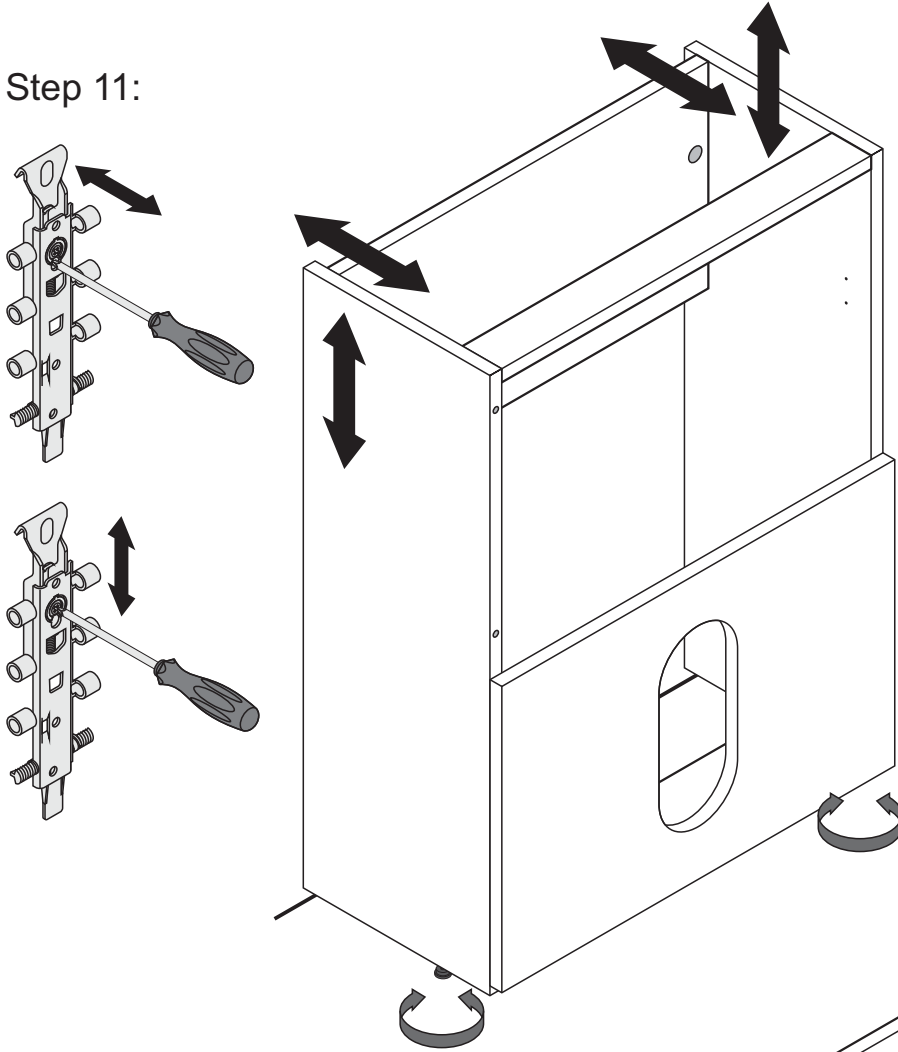
Q  x1  
Snap apart

R  x4

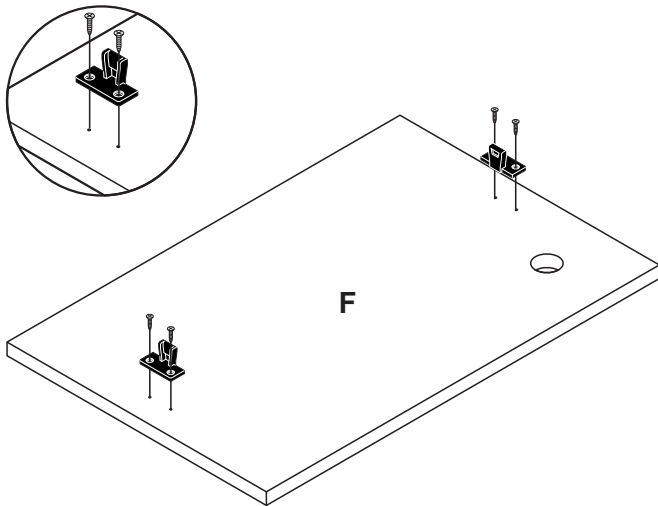
S  x4  
ST5 \*50mm

Step 10:

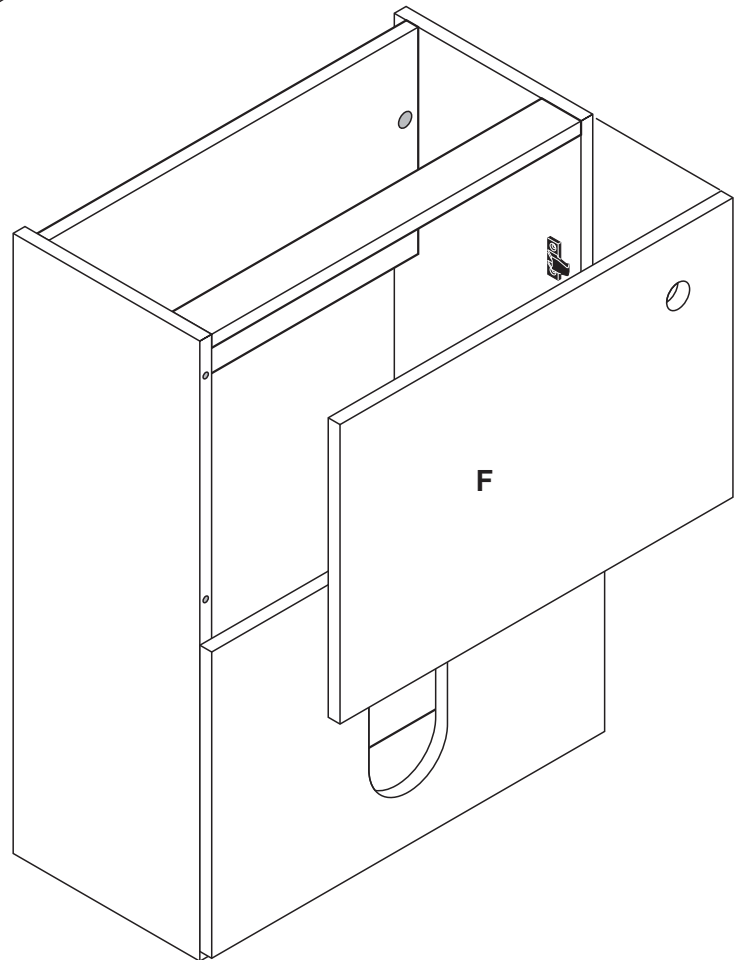
Step 11:



Step 12:



Step 13:



K  ST4 \*14mm x4

M  x2

### Care and Maintenance

**Please leave this leaflet with the householder.**

This furniture is made of wood and has a water resistant finish. It should not be left wet. The quality of the finish is best maintained if it is wiped with a dry cloth after use. It should only be cleaned using a soft damp cloth followed by a dry cloth. Do not use bleach or any abrasive cleaner.