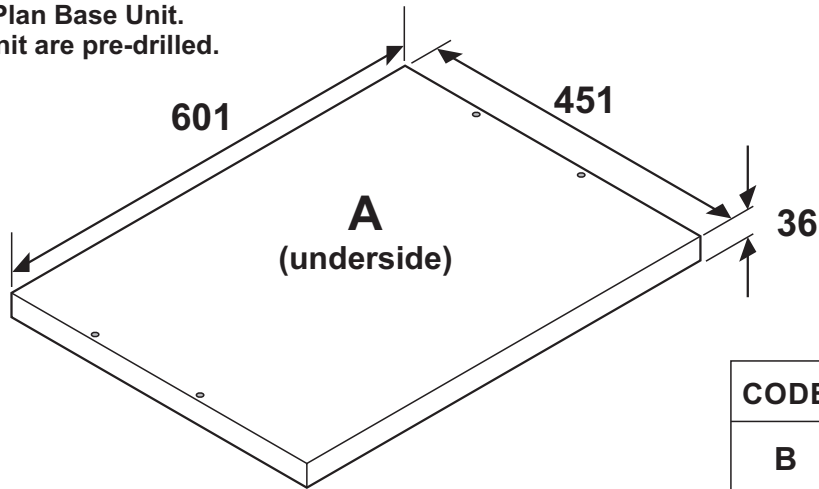



## MyPlan 600 x 450 Worktop

41405018600

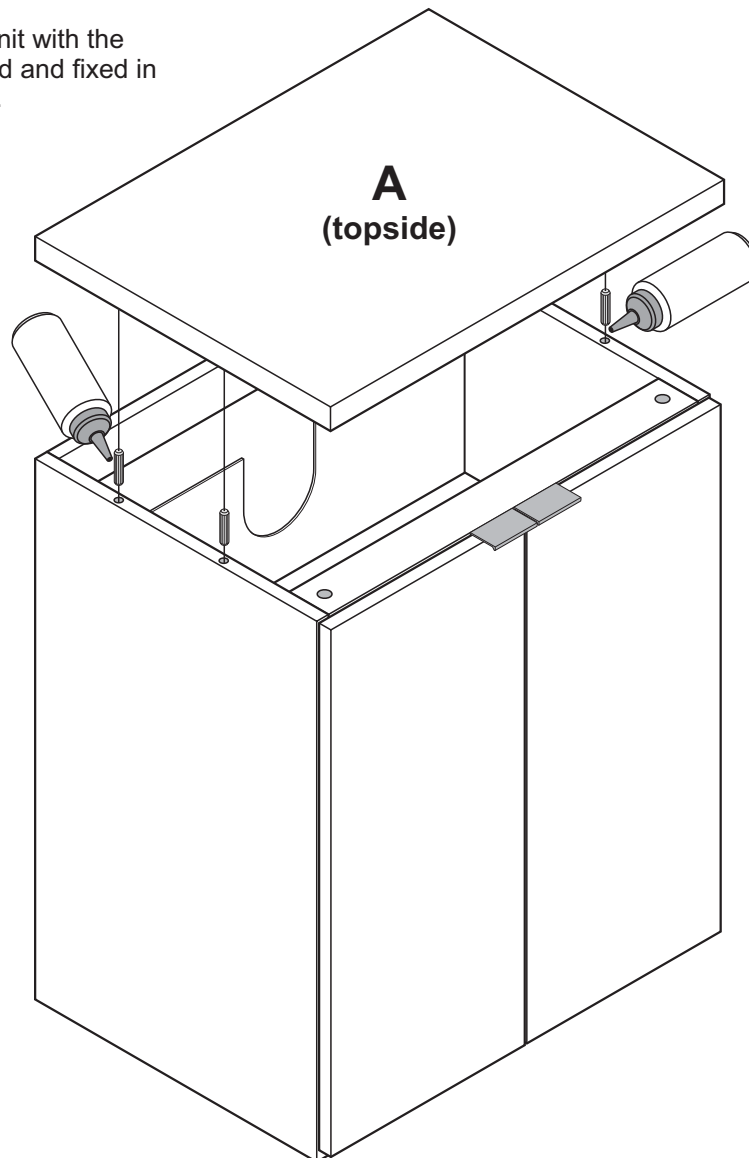
This worktop is designed to be used on the 600 x 450 deep MyPlan Base Unit. The worktop and the unit are pre-drilled.



CODE	DIAGRAM	QTY
B		4

### Top Fixing:

The top is fixed to the unit with the wooden dowels provided and fixed in place with suitable glue.



### Care and Maintenance

**Please leave this leaflet with the householder.**

This furniture is made of wood and has a water resistant finish. It should not be left wet. The quality of the finish is best maintained if it is wiped with a dry cloth after use. It should only be cleaned using a soft damp cloth followed by a dry cloth. Do not use bleach or any abrasive cleaner.