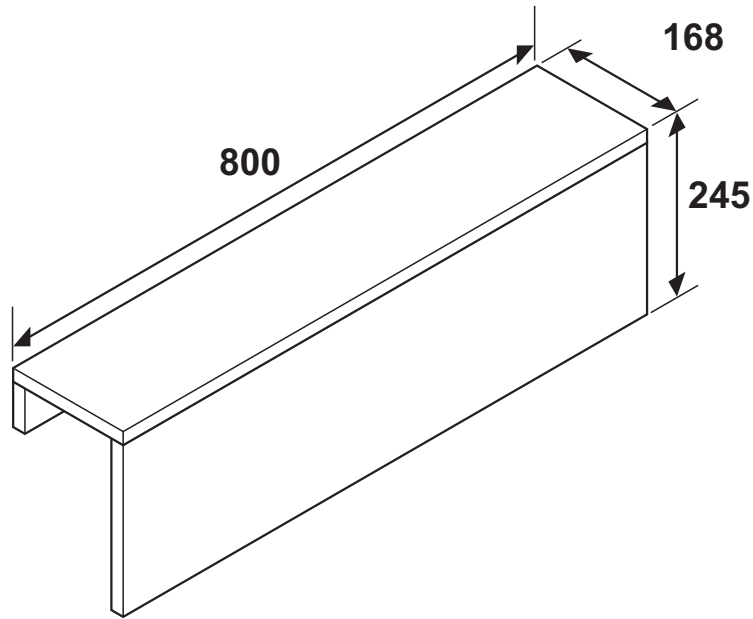
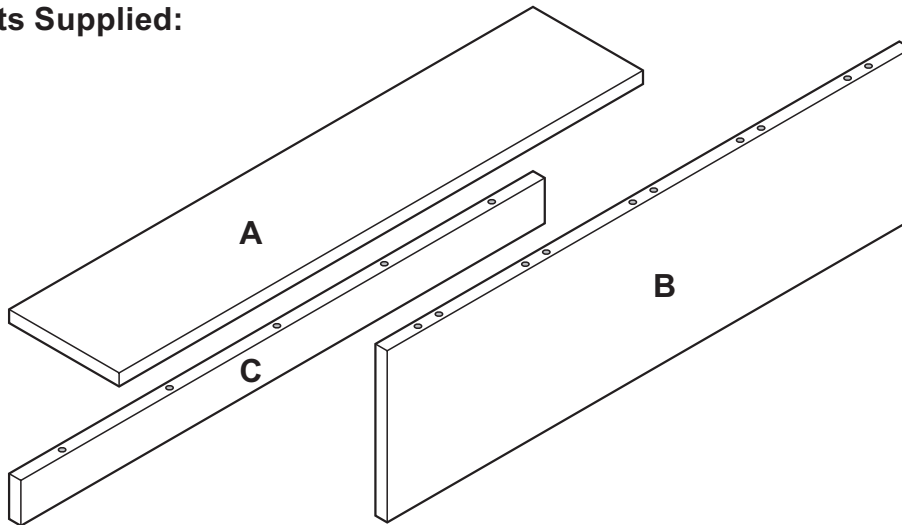



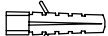



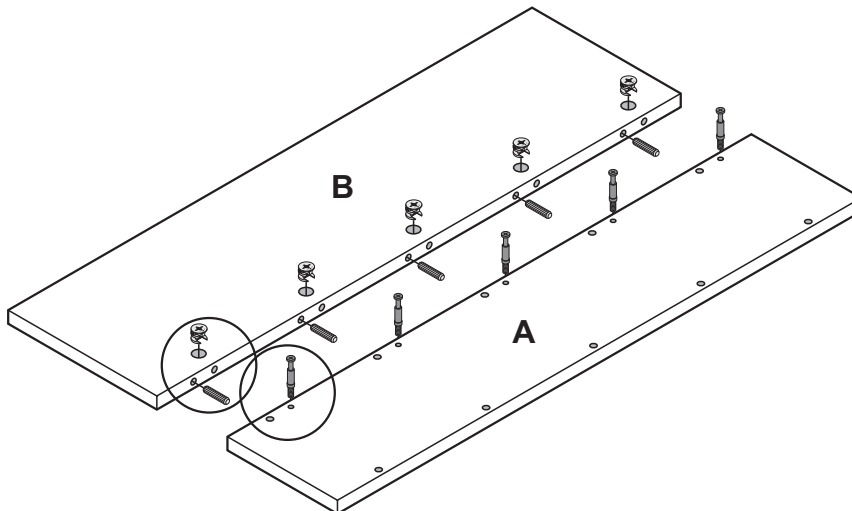
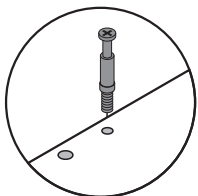
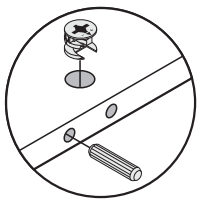
# MyPlan 800 Pipe Cover Kit



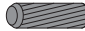
41405018830

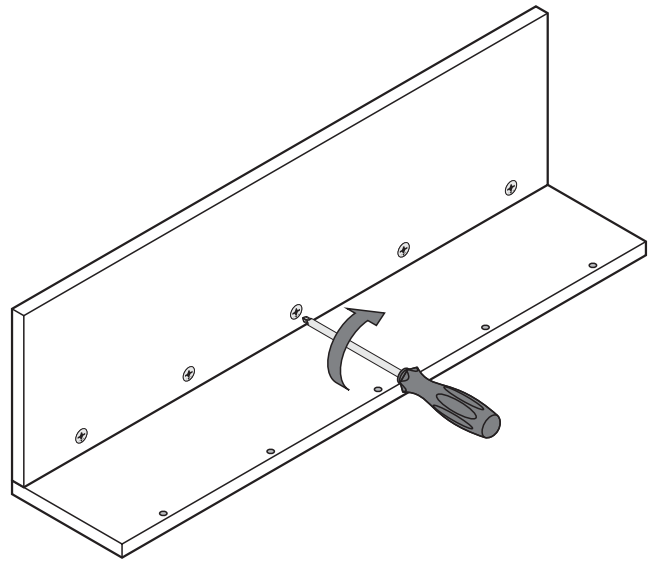
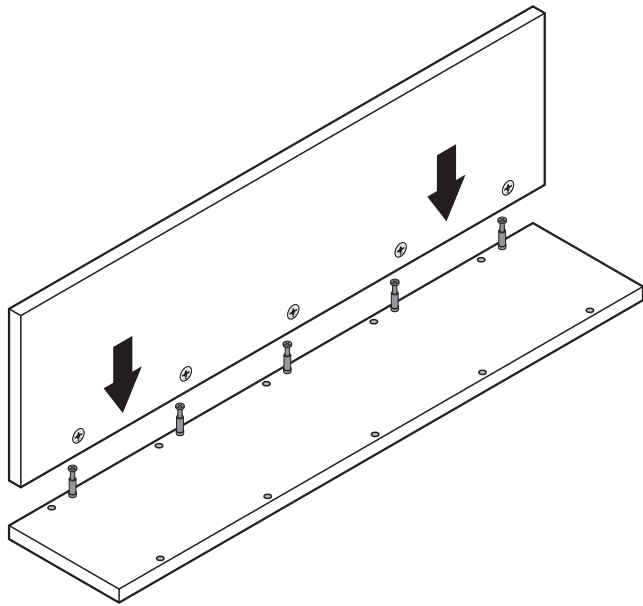

**Tools Required:**

**Parts Supplied:**


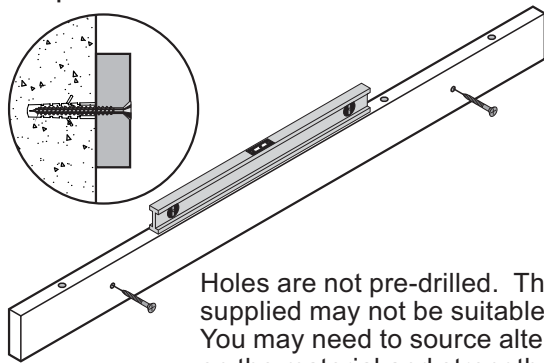
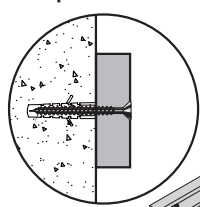
CODE	DIAGRAM	QTY
D		5
E		5
F		10
G		4
H		4

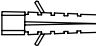
**Step 1:**


- D  x5
- E  x5
- F  x5



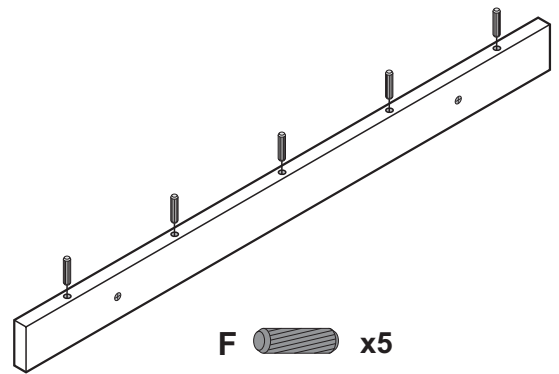
Step 5:



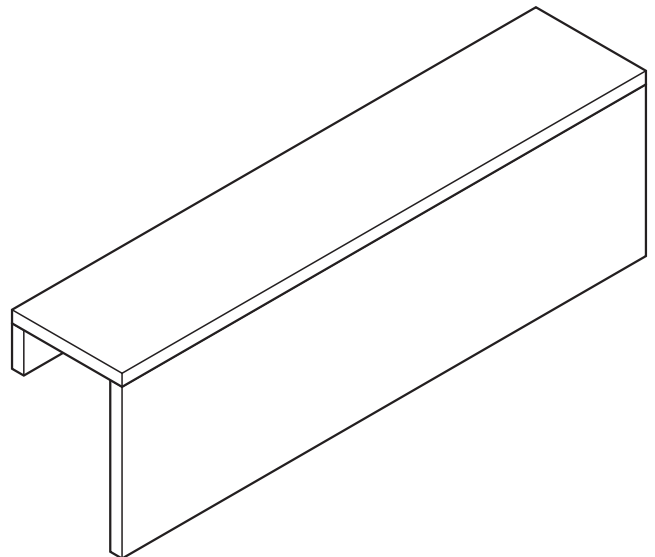
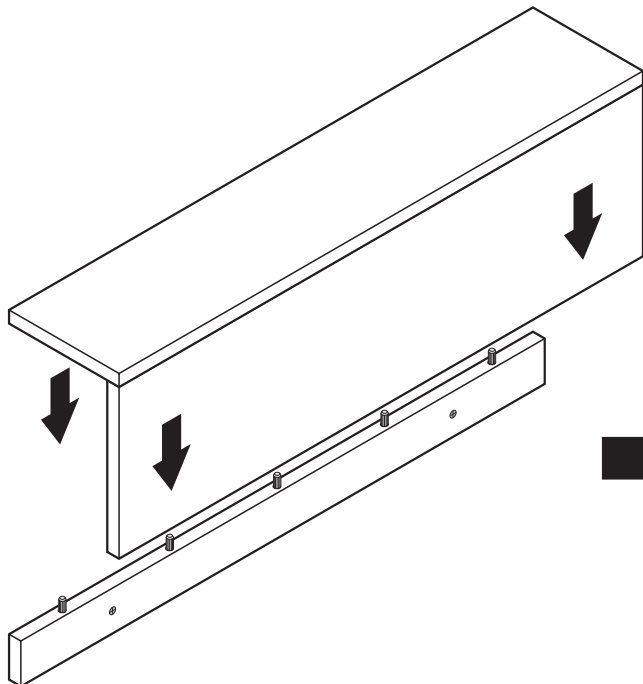
**G**  x4

**H**  x4

Holes are not pre-drilled. The wall fixings supplied may not be suitable for your installation. You may need to source alternatives depending on the material and strength of the wall.



**F**  x5



## Care and Maintenance

### Please leave with the householder

This furniture is made of wood, and has a water resistant finish. It should not be left wet. The quality of the finish is best maintained if it is wiped with a dry cloth after use. It should only be cleaned using a soft damp cloth followed by a dry cloth. Do not use bleach or any abrasive cleaner.