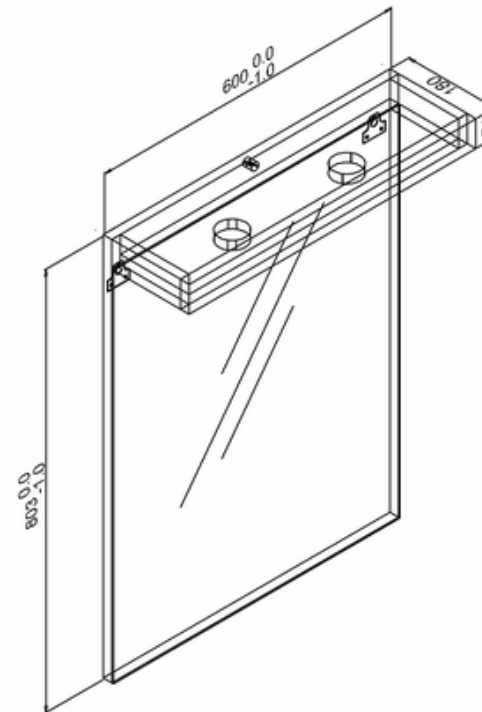
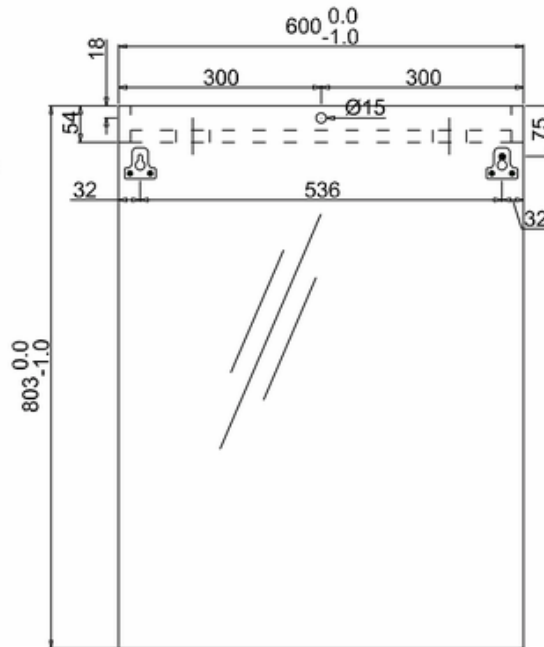
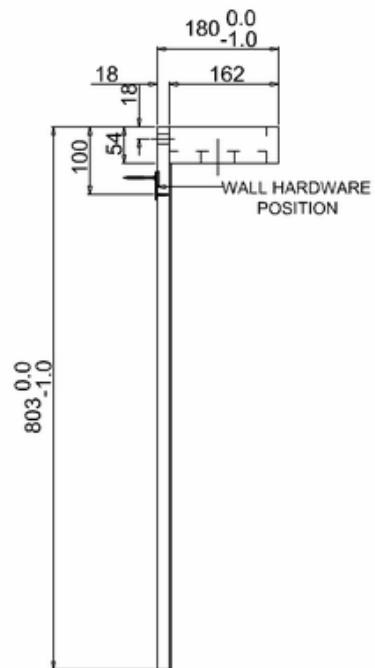
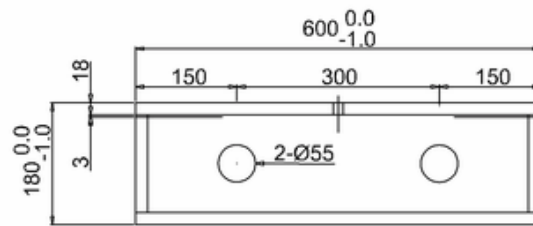




bathstore

41405018800 - MyPlan 1500 COUNTERTOP W1500 D315 D30 LAVA





bathstore

**44400007000 - MyPlan / MyRoom HALOGEN DOWNLIGHT CHR
INC TRANSFORMER (PAIR) 20w**

