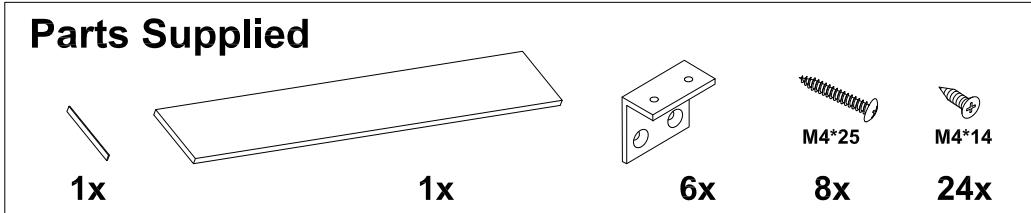


MyPlan 2400 Countertop Instructions

41405010935
41405011175
41405011415

- White units have protective film on the front and side panels, please remove this film after installation.

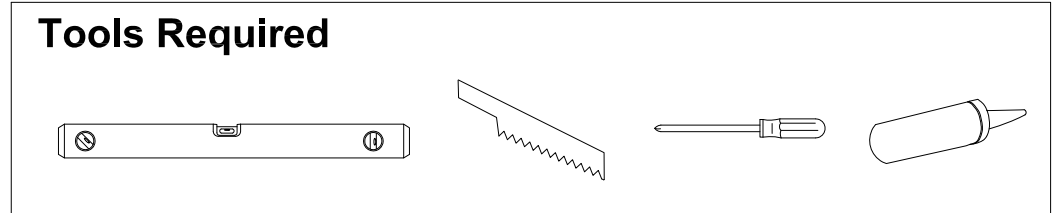
Parts Supplied



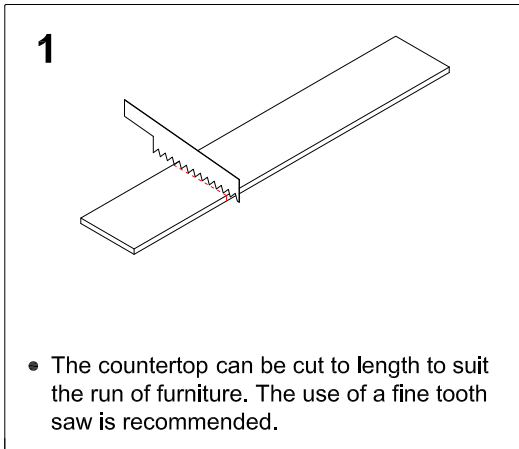
1x 1x 6x 8x 24x

M4*25 M4*14

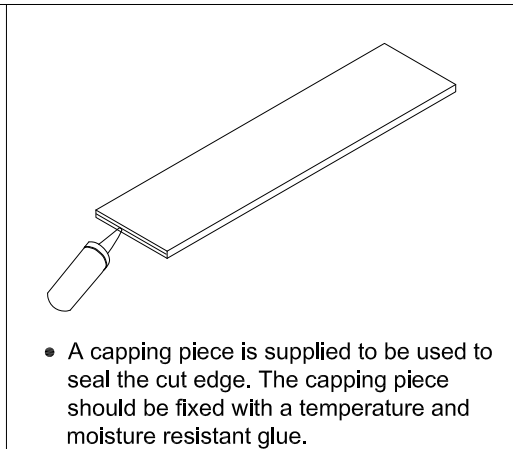
Tools Required



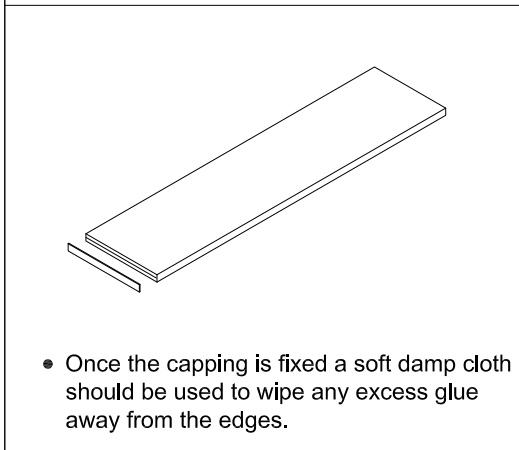
1



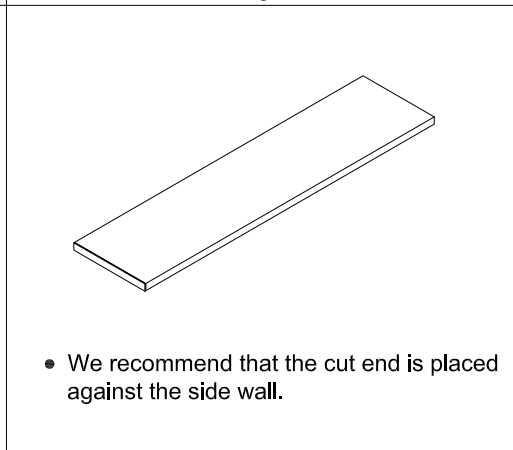
- The countertop can be cut to length to suit the run of furniture. The use of a fine tooth saw is recommended.



- A capping piece is supplied to be used to seal the cut edge. The capping piece should be fixed with a temperature and moisture resistant glue.

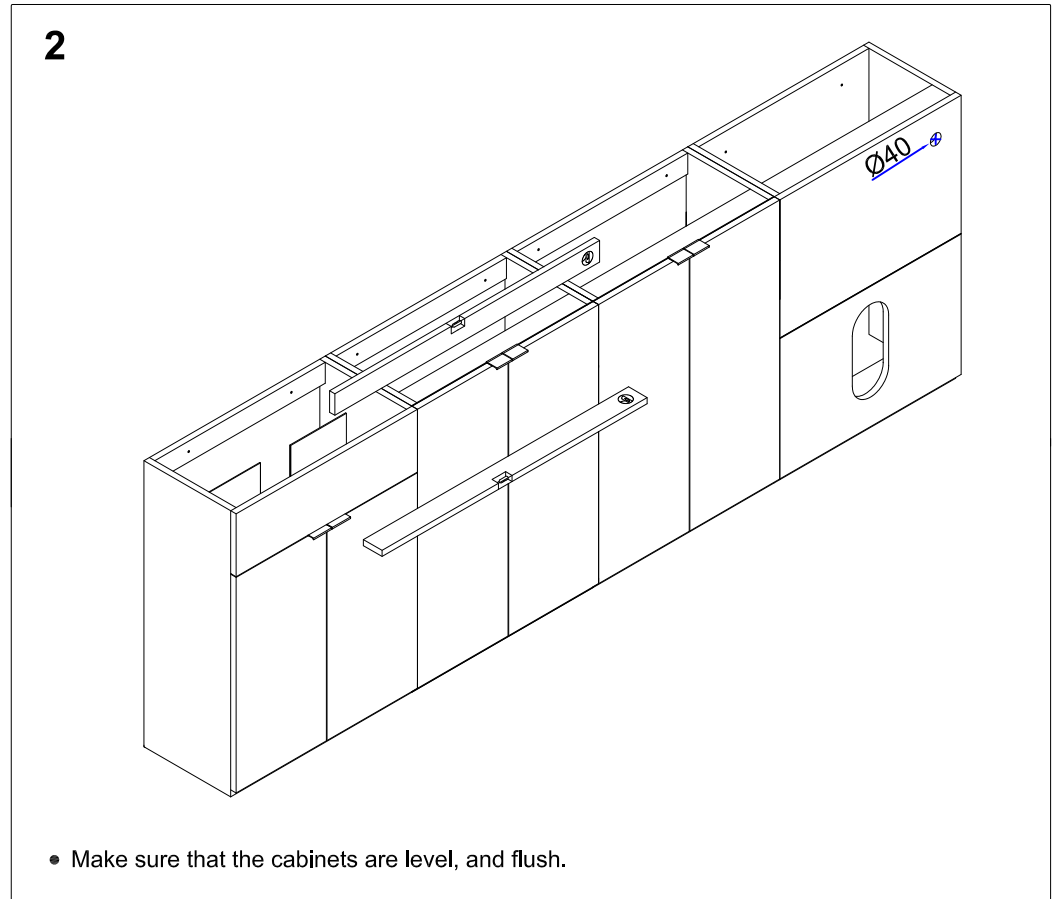


- Once the capping is fixed a soft damp cloth should be used to wipe any excess glue away from the edges.



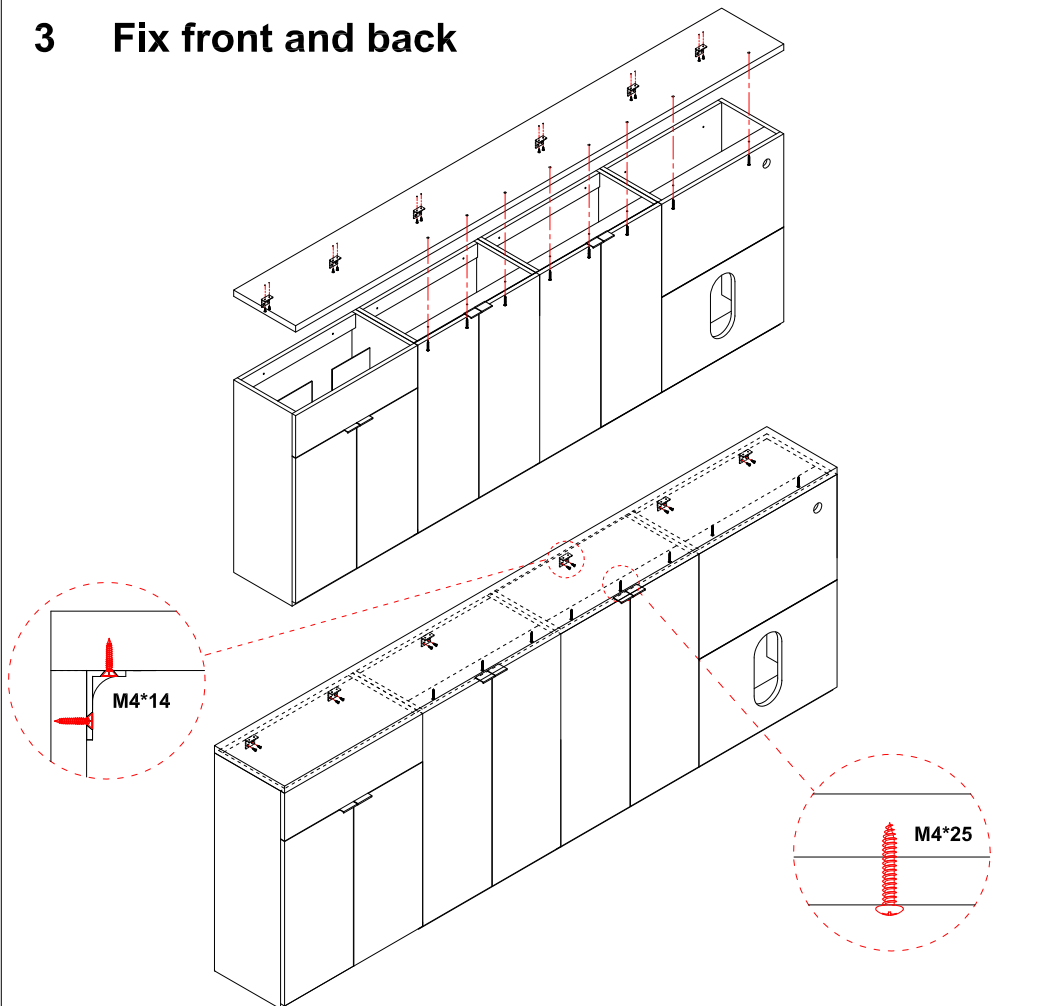
- We recommend that the cut end is placed against the side wall.

2



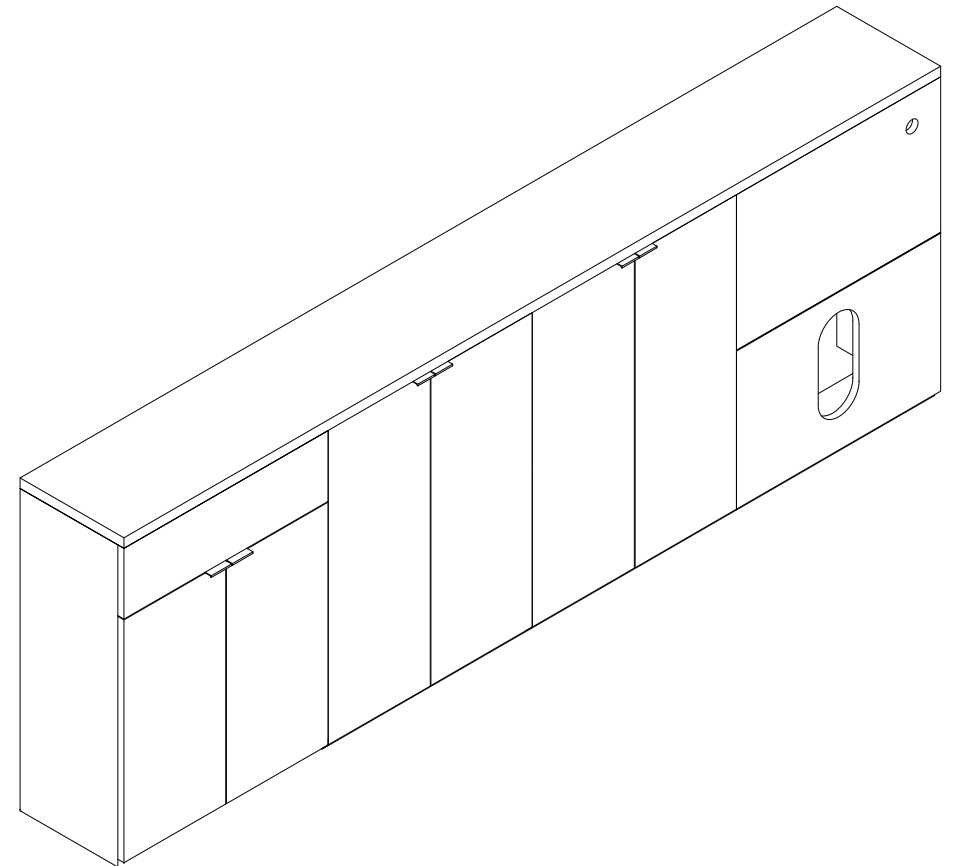
- Make sure that the cabinets are level, and flush.

3 Fix front and back



- Depending on your furniture run use the brackets and fixing screws to secure the countertop as shown in the diagrams.
It is important that the countertop is firmly secured to the furniture carcass both front and back.

4



- The countertop should be cleaned using a soft damp cloth with a mild detergent. Do not use any abrasive agents.

Care and Maintenance

Please leave with the householder

This furniture is made of wood, and has a water resistant finish. It should not be left wet. The quality of the finish is best maintained if it is wiped with a dry cloth after use. It should only be cleaned using a soft damp cloth followed by a dry cloth. Do not use bleach or any abrasive cleaner.